

## DRX™ 100

thermal-magnetic MCCBs from 60 to 100 A



Dimensions (p. 51)  
 Technical characteristics and operating curves (p. 52-53)

For switching, control, isolation and protection of low-voltage electrical lines in conformity with standard IEC 60947-2  
 Fixed thermal and fixed magnetic  
 Supplied with:  
 - M8 Terminals  
 - Fixing screws  
 - Insulating shields (2 for 3 PI and 3 for 4P)

Pack	Cat.Nos	DRX 100
		Icu breaking capacity 10 kA (415 V±)
		3P In
1/12	0270 06*	60 A
1/12	0270 39	63 A
1/12	0270 07*	75 A
1/12	0270 08*	100 A
		4P In
1/12	0270 16	60 A
1/12	0270 29	63 A
1/12	0270 17	75 A
1/12	0270 18	100 A

\* For enclosures refer page 216

## DRX™ 100

accessories for DRX MCCBs



### Pack Cat.Nos Plate for fixing on rail

1	0271 87	DIN rail adaptor for DRX 100
---	---------	------------------------------



### Rotary handles

#### Direct on DRX

1	6271 76	For DRX 100
1	6687 70	For DRX 100



#### Vari-depth handle

Comprises: the connecting rod, the bracket, the drilling template, the mounting accessories, the door locking mechanism

1	6271 77	For DRX 100
1	6687 71	For DRX 100

### Padlocking

1	0271 80	Accessory for locking in "OFF" position
---	---------	---



### Connection accessories

#### Insulating shields

Insulate connection between each pole

1	0271 81	Set of 2 shields for 3 pole
---	---------	-----------------------------



#### Sealable terminal shields

1	0271 83	For DRX 100 - 3 pole
---	---------	----------------------



#### Cage terminals

1	0271 71	For DRX 100 - 3 pole
---	---------	----------------------



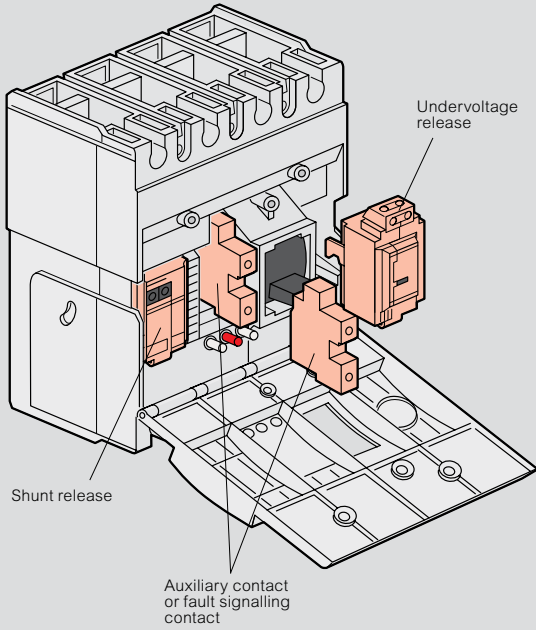
### Spreader links

1	6250 10	3 links set for TP
1	6250 11	4 links set for FP

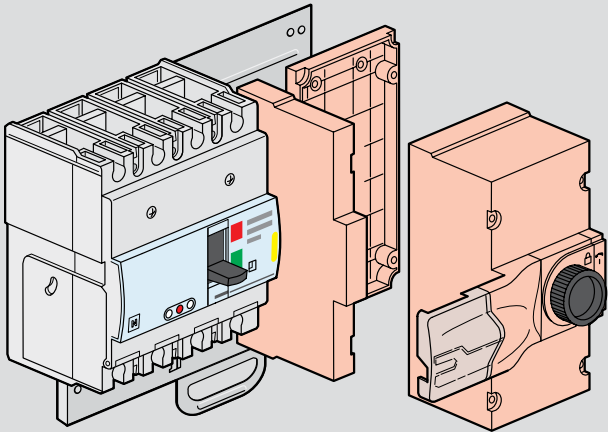
# DPX<sup>3</sup> 160/250

## installation principle

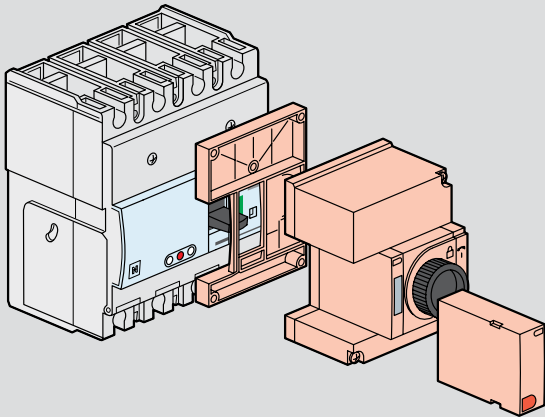
### Auxiliaries mounting



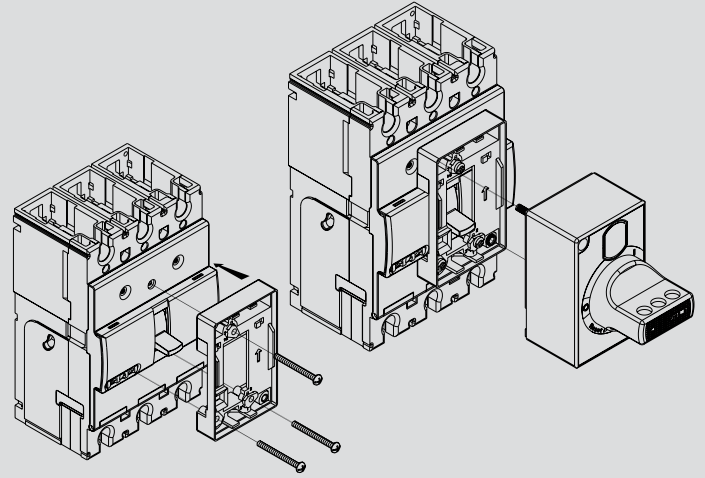
### Side mounting motor-driven handle



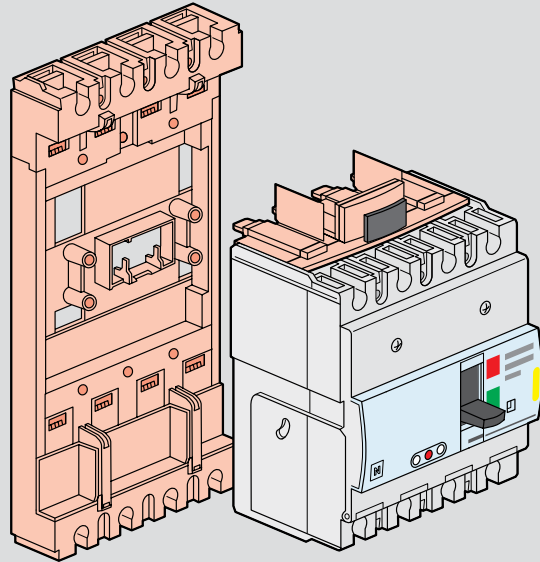
### Front mounting motor-driven handle



### Direct



### Plug-in version



### Supply inverter type

