

**Myrius™**  
power units - white



6730 74



6730 75

| Pack | Cat. nos.      | Power unit   |
|------|----------------|--|
| 1/10 | <b>6730 74</b> | Power strip - 6A (2 nos.) + 16 A socket (1 no.) + 16 A switch with indicator (1 no.) |
| 1/10 | <b>6730 75</b> | Power strip - 5 Pin 6A (3 nos.) + 16 A switch with indicator (1 no.)                 |
| 1/10 | <b>6730 76</b> | Power strip - multistd socket (3 nos.) + 16 A switch (1 no.)                         |

**NEW**

**Myrius™**  
dimmer & regulators - white



6730 24



6730 26



6730 29

Number of modules *Technical data (p. 323)*

| Pack     | Cat. nos.      | Dimmer & regulator  | Number of modules |
|----------|----------------|---|-------------------|
| 8        |                | Finger proof terminals with tunnel for guiding screwdriver<br>Stripping template for stripping exact length of insulation<br>ISI marked as per IS11037:1984<br>Captive screws |                   |
| 8        |                |   |                   |
| 8        |                |   |                   |
| 1/5/50   | <b>6730 24</b> | Rotary dimmer 400W  | 1                 |
| 1/10     | <b>6730 25</b> | Rotary dimmer 650W  | 3                 |
| 1/10     | <b>6730 26</b> | Compact fluorescent Lamp dimmer   | 2                 |
| 1/5/50   | <b>6730 27</b> | Fan step regulator 100W   | 1                 |
| 1/10/100 | <b>6730 29</b> | Fan step regulator 100W   | 2                 |
| 1/10/100 | <b>6730 28</b> | Fan step regulator 120W   | 2                 |

# Myrius™

## rotary dimmers 650W

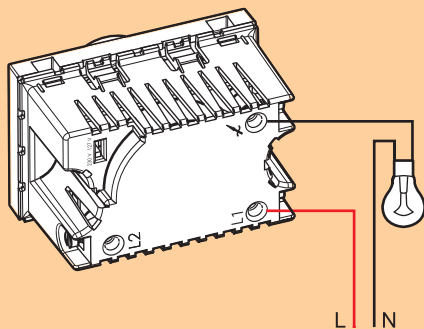
### ■ Technical data

#### Rotary dimmer

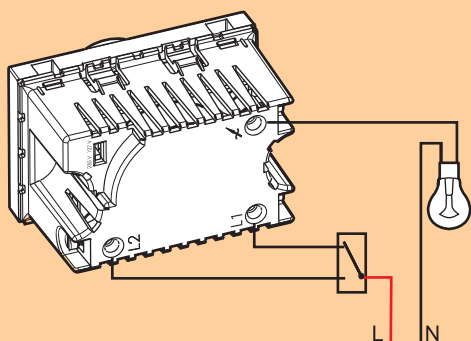
Cat. no. 6730 25 - 6731 25

#### Wiring diagram of 650W rotary dimmer

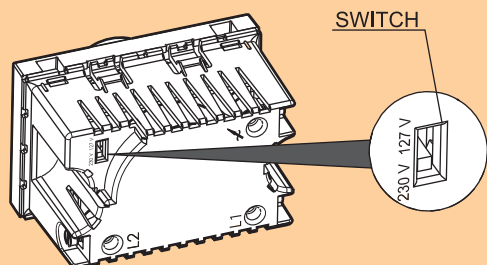
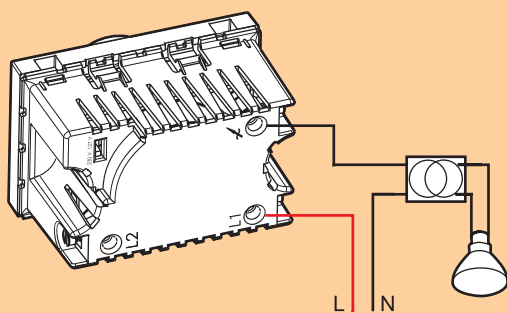
1-way connection (sketch 1)



Double-way connection (sketch 2)



For extra low voltage halogen lamps with ferromagnetic transformers (sketch 3)



#### Important

There is a switch for the rated voltage on the upper right corner of the base.

It must be set in the position corresponding to the used voltage.

-On 230 V if the rated voltage used is 230 V, or

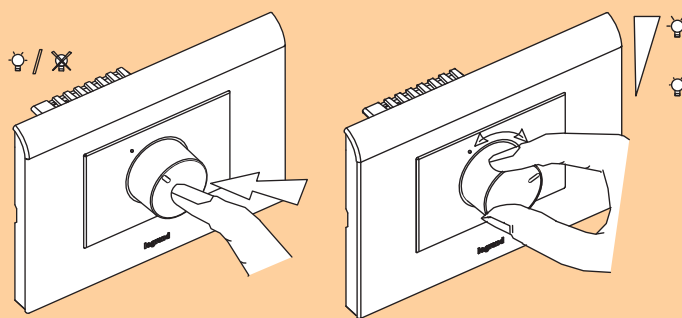
-On 127 V if the rated voltage used is 127 V.

### Characteristics

|                                    |                         |       |       |        |        |
|------------------------------------|-------------------------|-------|-------|--------|--------|
| 40°<br>0°<br>100 - 240 Vac<br>50Hz | 2 x 2.5 mm <sup>2</sup> |       |       |        |        |
|                                    |                         |       |       |        |        |
| 230 Vac                            | Max.                    | 650 W | 650 W | 650 VA | 390 VA |
|                                    | Min.                    | 60 W  | 60 W  | 60 VA  | 60 VA  |
| 127 Vac                            | Max.                    | 500 W | 500 W | 500 VA | 300 VA |
|                                    | Min.                    | 60 W  | 60 W  | 60 VA  | 60 VA  |

(\*) Use only transformers which are intended for use with an electronic switch.

### Description



#### Important

Transformer losses should be taken into account in the power calculation.

Transformers should be loaded to more than 60 % of their capacity.

If the wiring diagrams are not complied with, or if the values shown in the table are exceeded (voltage, power, temperature, frequency), or if the power is too low and causes the light to blink, the fitting could be severely damaged.

#### ⚠ Safety Instructions

GB IE

This product should be installed in line with installation rules, preferably by a qualified electrician.

Incorrect installation and use can lead to risk of electric shock or fire.

Before carrying out the installation, read the instructions and take account of the product's specific mounting location.

Do not open up, dismantle, after or modify the device except where specifically required to do so by the instructions. All Legrand products must be opened and repaired exclusively by personnel trained and approved by Legrand.

Any unauthorized opening or repair completely cancels all liabilities and the rights to replacement and guarantees. Use only Legrand accessories.