

Myrius™
access control - white
hospitality functions

Myrius™
sockets and connectors - white



6730 37



6730 40



6730 50



6730 51



6730 52



6730 53



6730 56

Technical data (p. 328)

Pack	Cat. nos.	Key fob switch
1/10	6730 37	15 A key fob switch with timedelay 30 sec. supplied without key fob. cat. no. 6730 38
1/10/100	6730 38	Only key fob for switch above

Pack	Cat. nos.	"Do not disturb" indicator and internal control unit
10/100	6730 39	Enables the clients to inform hotel staff of the room status Two settings: • Do not disturb • Clean the room indicator (external unit) to be installed on the corridor, displays the status supply with lamps
10/100	6730 40	"DND control unit" (internal unit) Allows the user to select choose the options supplied with lamps

Pack	Cat. nos.	Shaver socket
1/5/20	6730 49	Accept European, British, American and Australian 2 pin plugs In-built thermal protection, disconnects supply above 20 VA Supplied complete with screw caps with inbuilt IP24 protection transformer enhancing safety. Fits on 4 module Flush box 220/240 V - 50/60 Hz

Number of modules	Pack	Cat. nos.	TV socket	Number of modules
Monobloc with plate	20/200	6730 50	TV socket	1
	10/100	6730 51	TV / Sat / FM 6 shielded socket 0 - 2400 MHz	2

Number of modules	Pack	Cat. nos.	Data & voice	Number of modules
1+1	20/200	6730 52	RJ-11 Telephone socket with transparent shutter	1
	20/200	6730 53	RJ-11 Double telephone Socket with shutter	1
	20/200	6730 54	UTP Cat 5e information outlets toolless system	1
	20/200	6730 55	UTP Cat 6	1
	10/100	6730 56	UTP Cat 6	2

Number of modules
Monobloc with plate

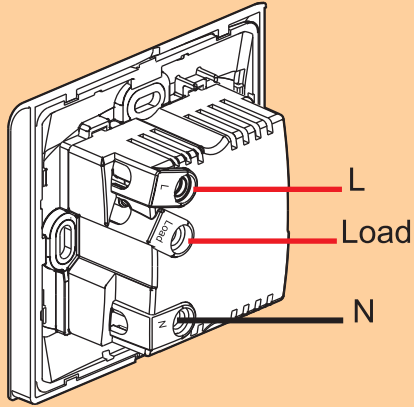
Myrius™
key fob switch

■ **Technical data**

Key fob switch

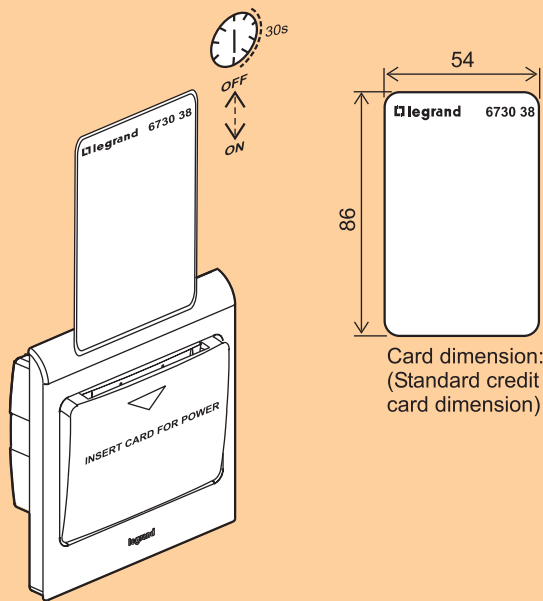
Cat. no. 6730 37 - 6731 37

Wiring diagram of key fob switch

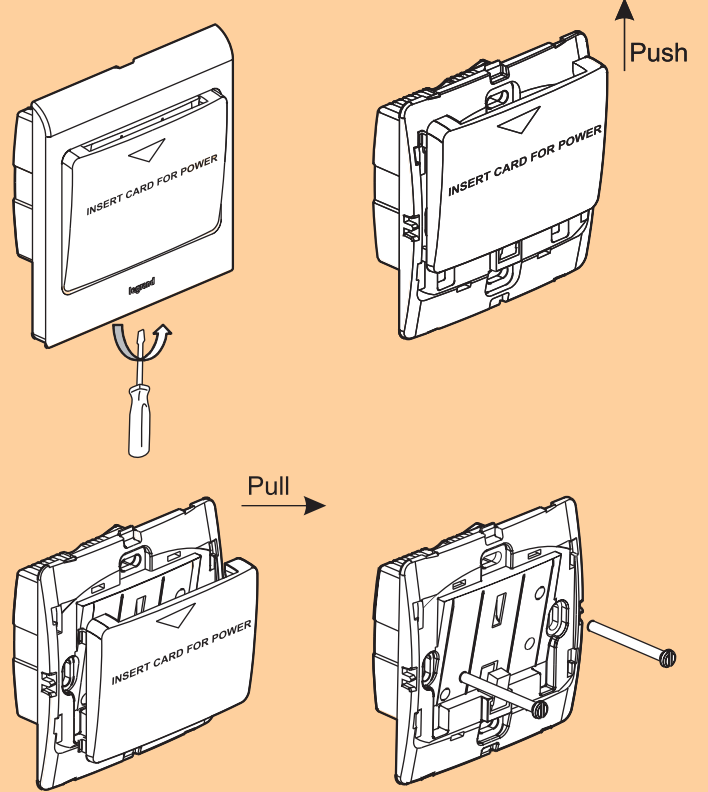


Operation

Inserting card turns power on
Removing card turns power off after an approx. 30s delay



Disassembly



Characteristics

	15A max
	15A / 230V~ $\mu \cos \phi = 1$
	4A / 230V~ $\mu \cos \phi = 0.6$

Utilization

	①	②	③	④
25°C 230 V 50 Hz			Ø26 Ø38	Ø26 Ø38
Max.	1800 W	800 W	400 VA	800 VA

1. 1800W incandescent or halogen with ferromagnetic transformer
2. 800W inductive (motor)
3. 400VA compensated fluorescent
4. 800VA fluorescent with electronic ballast

Important

For load higher than indicated in the above table, use a contactor.