

**Myrius™**  
access control - white  
hospitality functions

**Myrius™**  
sockets and connectors - white



6730 37



6730 40



6730 50



6730 51



6730 52



6730 53



6730 56

*Technical data (p. 328)*

Pack	Cat. nos.	Key fob switch
1/10	<b>6730 37</b>	15 A key fob switch with timedelay 30 sec. supplied without key fob. cat. no. 6730 38
1/10/100	<b>6730 38</b>	Only key fob for switch above

Pack	Cat. nos.	"Do not disturb" indicator and internal control unit
10/100	<b>6730 39</b>	Enables the clients to inform hotel staff of the room status Two settings: • Do not disturb • Clean the room <b>indicator (external unit)</b> to be installed on the corridor, displays the status supply with lamps
10/100	<b>6730 40</b>	<b>"DND control unit" (internal unit)</b> Allows the user to select choose the options supplied with lamps

Pack	Cat. nos.	Shaver socket
1/5/20	<b>6730 49</b>	Accept European, British, American and Australian 2 pin plugs In-built thermal protection, disconnects supply above 20 VA Supplied complete with screw caps with inbuilt IP24 protection transformer enhancing safety. Fits on 4 module Flush box 220/240 V - 50/60 Hz

*Technical data (p. 329-334)*

Number of modules	Pack	Cat. nos.	TV socket	Number of modules
Monobloc with plate	20/200	<b>6730 50</b>	TV socket	1
	10/100	<b>6730 51</b>	TV / Sat / FM 6 shielded socket 0 - 2400 MHz	2

Number of modules	Pack	Cat. nos.	Data & voice	Number of modules
1+1	20/200	<b>6730 52</b>	RJ-11 Telephone socket with transparent shutter	1
	20/200	<b>6730 53</b>	RJ-11 Double telephone Socket with shutter	1
	20/200	<b>6730 54</b>	UTP Cat 5e information outlets toolless system	1
	20/200	<b>6730 55</b>	UTP Cat 6	1
	10/100	<b>6730 56</b>	UTP Cat 6	2

Number of modules  
Monobloc with plate

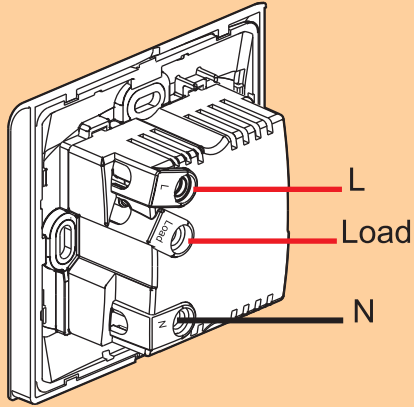
**Myrius™**  
key fob switch

■ **Technical data**

**Key fob switch**

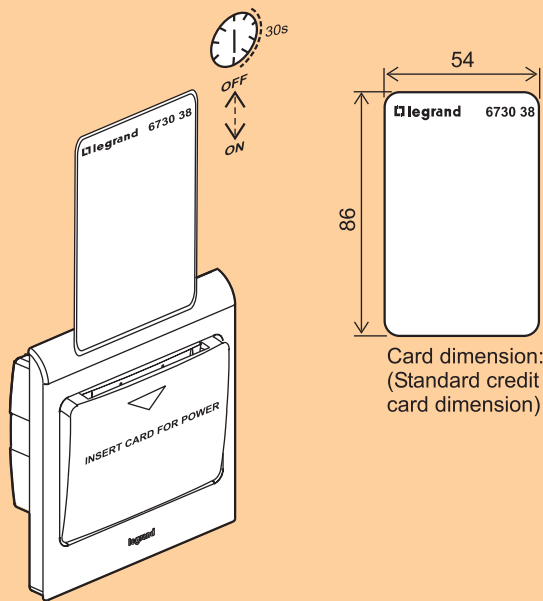
Cat. no. 6730 37 - 6731 37

**Wiring diagram of key fob switch**

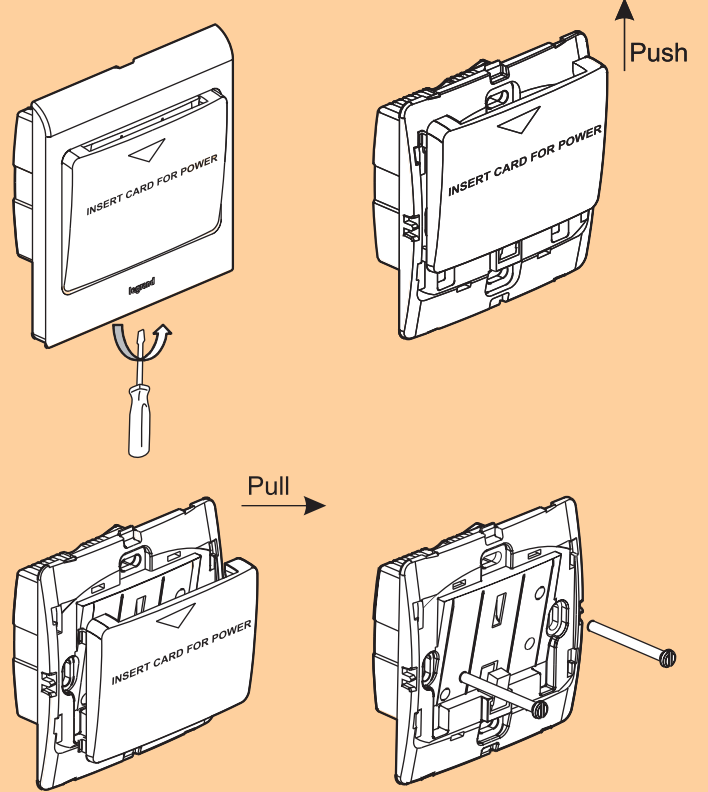


**Operation**

Inserting card turns power on  
Removing card turns power off after an approx. 30s delay



**Disassembly**



**Characteristics**

	15A max
	15A / 230V~ $\mu \cos \phi = 1$
	4A / 230V~ $\mu \cos \phi = 0.6$

**Utilization**

	①	②	③	④
25°C 230 V 50 Hz			Ø26 Ø38	Ø26 Ø38
Max.	1800 W	800 W	400 VA	800 VA

1. 1800W incandescent or halogen with ferromagnetic transformer
2. 800W inductive (motor)
3. 400VA compensated fluorescent
4. 800VA fluorescent with electronic ballast

**Important**

For load higher than indicated in the above table, use a contactor.