

Myrius™
access control - white
hospitality functions

Myrius™
sockets and connectors - white



6730 37



6730 40



6730 50



6730 51



6730 52



6730 53



6730 56

Technical data (p. 328)

Pack	Cat. nos.	Key fob switch
1/10	6730 37	15 A key fob switch with timedelay 30 sec. supplied without key fob. cat. no. 6730 38
1/10/100	6730 38	Only key fob for switch above

Pack	Cat. nos.	"Do not disturb" indicator and internal control unit
10/100	6730 39	Enables the clients to inform hotel staff of the room status Two settings: • Do not disturb • Clean the room indicator (external unit) to be installed on the corridor, displays the status supply with lamps
10/100	6730 40	"DND control unit" (internal unit) Allows the user to select choose the options supplied with lamps

Pack	Cat. nos.	Shaver socket
1/5/20	6730 49	Accept European, British, American and Australian 2 pin plugs In-built thermal protection, disconnects supply above 20 VA Supplied complete with screw caps with inbuilt IP24 protection transformer enhancing safety. Fits on 4 module Flush box 220/240 V - 50/60 Hz

Technical data (p. 329-334)

Number of modules	Pack	Cat. nos.	TV socket	Number of modules
Monobloc with plate	20/200	6730 50	TV socket	1
	10/100	6730 51	TV / Sat / FM 6 shielded socket 0 - 2400 MHz	2

Number of modules	Pack	Cat. nos.	Data & voice	Number of modules
1+1	20/200	6730 52	RJ-11 Telephone socket with transparent shutter	1
	20/200	6730 53	RJ-11 Double telephone Socket with shutter	1
	20/200	6730 54	UTP Cat 5e information outlets toolless system	1
	20/200	6730 55	UTP Cat 6	1
	10/100	6730 56	UTP Cat 6	2

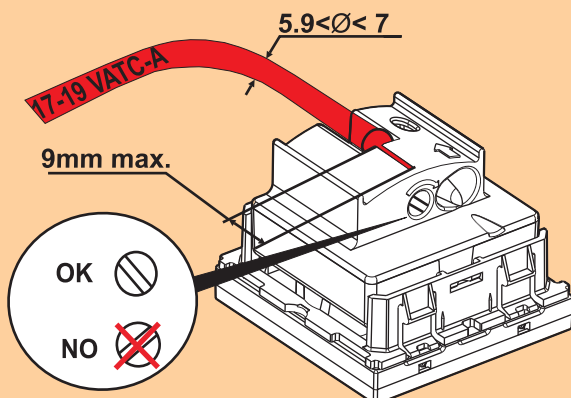
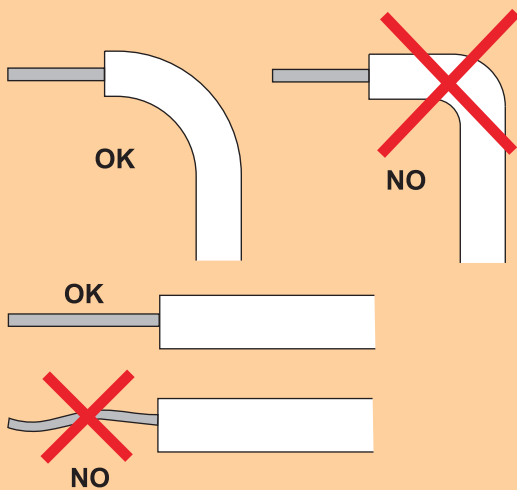
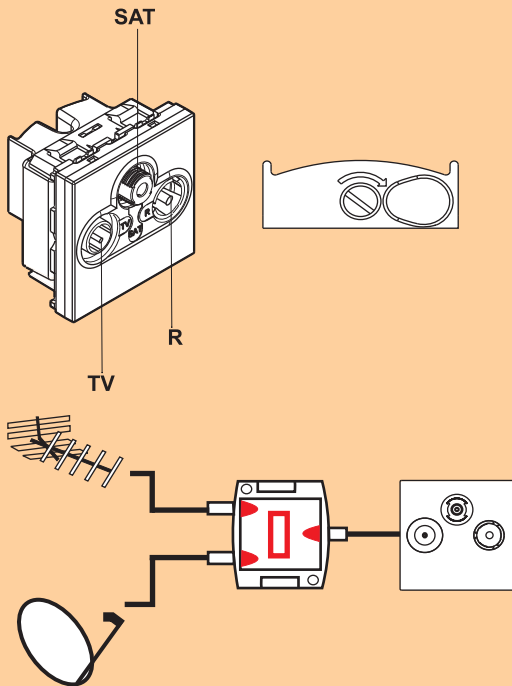
Myrius™ TV/SAT/FM socket

■ Technical data

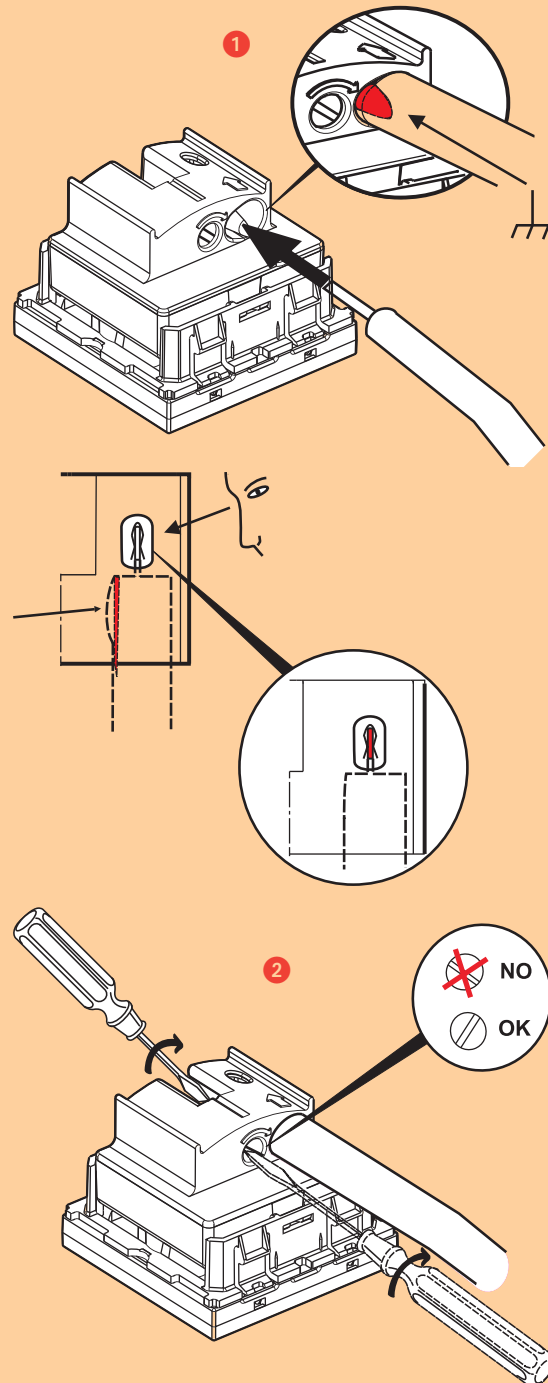
TV/SAT/FM socket

Cat. no. 6730 51 - 6731 51

Wiring diagram



TV/SAT/FM socket



⚠ Safety Instructions

GB IE

This product should be installed in line with installation rules, preferably by a qualified electrician. Incorrect installation and use can lead to risk of electric shock or fire.

Before carrying out the installation, read the instructions and take account of product's specific mounting location.

Do not open up, dismantle, alter or modify the device except where specifically required to do so by the instructions.

All Legrand products must be opened and repaired exclusively by personnel trained and approved by Legrand.

Any unauthorised opening or repair completely cancels all liabilities and the rights to replacement and guarantees.

Use only Legrand brand accessories.

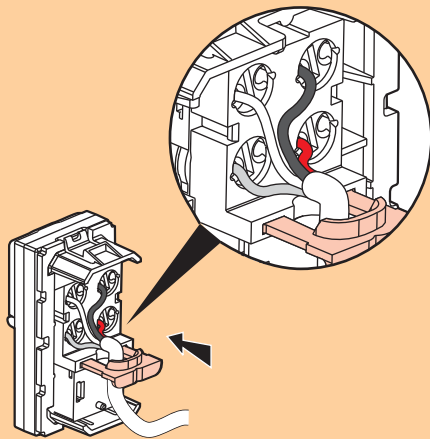
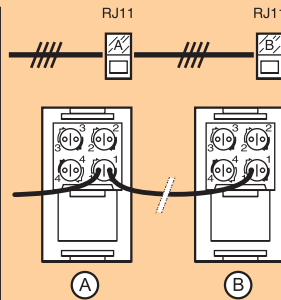
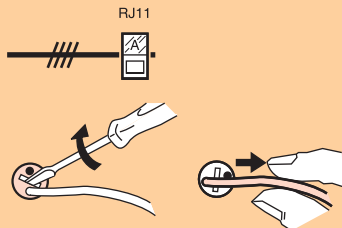
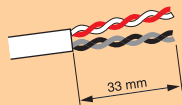
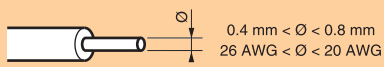
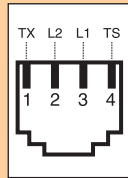
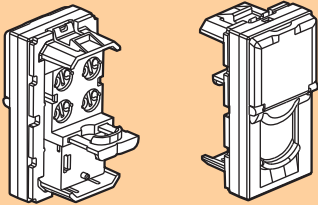
Myrius™
RJ 11

■ **Technical data**

RJ 11

Cat. no. 6730 52 - 6731 52

Wiring diagram



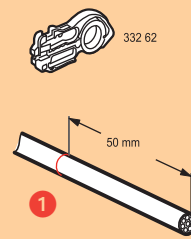
■ **Technical data**

RJ 45

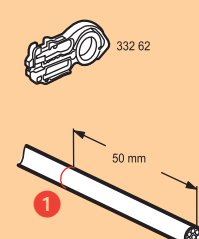
Cat. no. 6730 54 - 6731 54 /
6730 55 - 6731 55, 6730 56-6731 56

UTP	Cat 5e	6730 54 - 6731 54	
	Cat 6	6730 55 - 6731 55	6730 56 - 6731 56

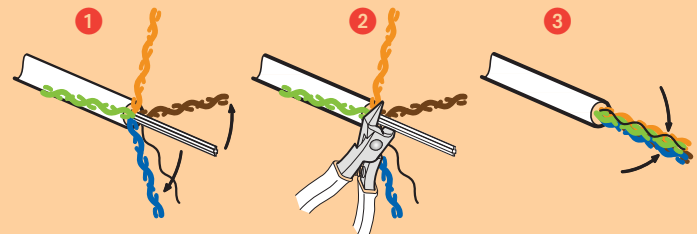
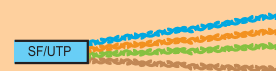
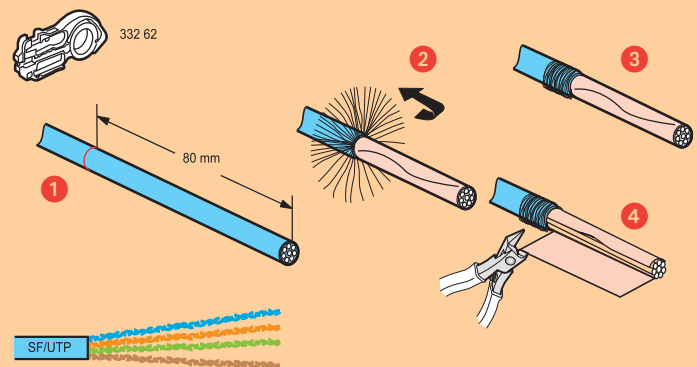
U/UTP



F/UTP

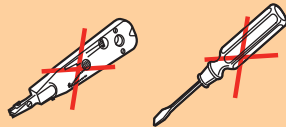
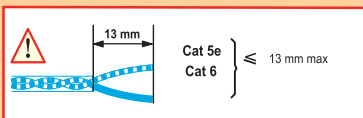
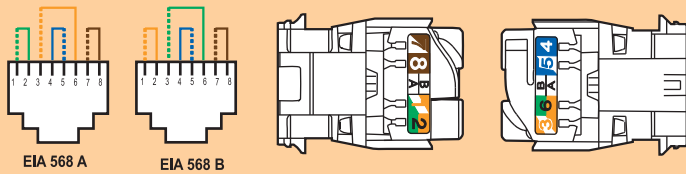


SF/UTP

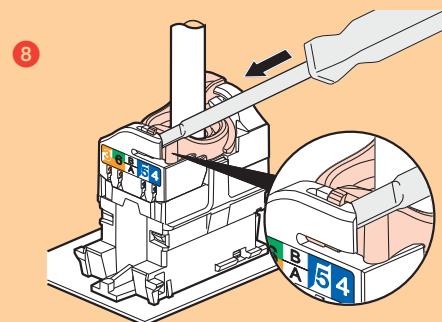
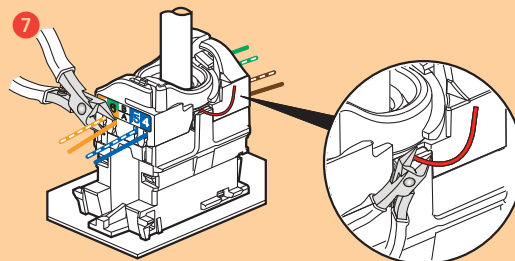
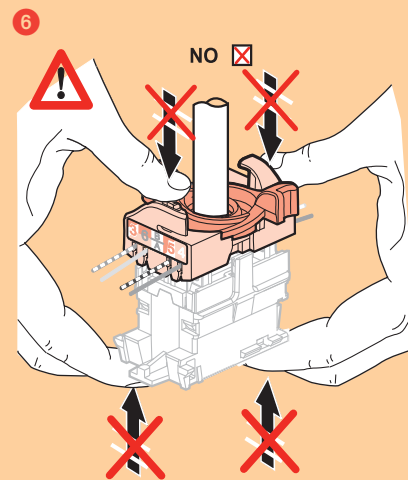
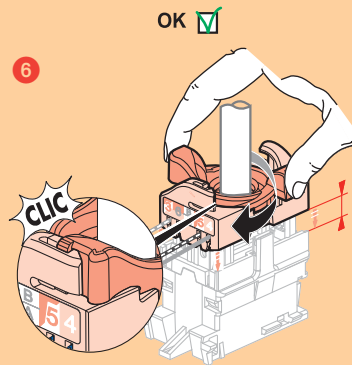
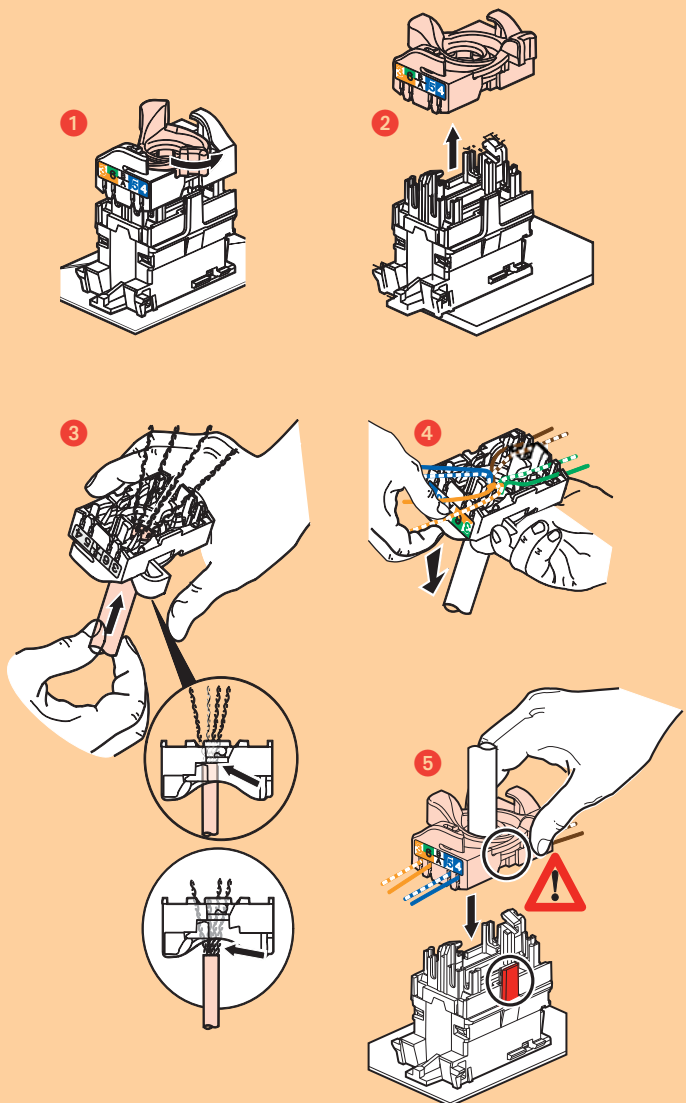


Myrius™ RJ 45 (continued)

■ Technical data



Wiring Diagram



⚠ Safety Instructions

GB IE

This product should be installed in line with installation rules, preferably by a qualified electrician. Incorrect installation and use can lead to risk of electric shock or fire.

Before carrying out the installation, read the instructions and take account of the product's specific mounting location.

Do not open up, dismantle, alter or modify the device except where specifically required to do so by the instructions. All Legrand products must be opened and repaired exclusively by personnel trained and approved by Legrand.

Any unauthorised opening or repair completely cancels all liabilities and the rights to replacement and guarantees.

Use only Legrand brand accessories.

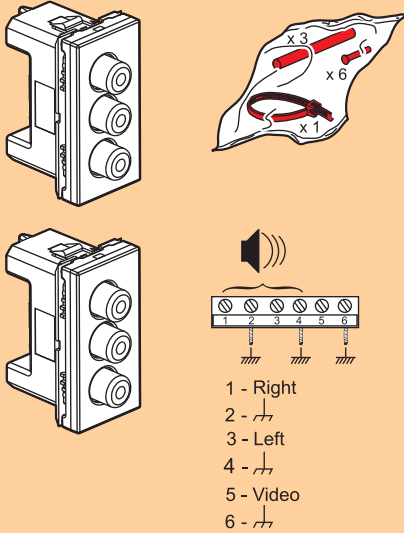
Myrius™

audio video connector

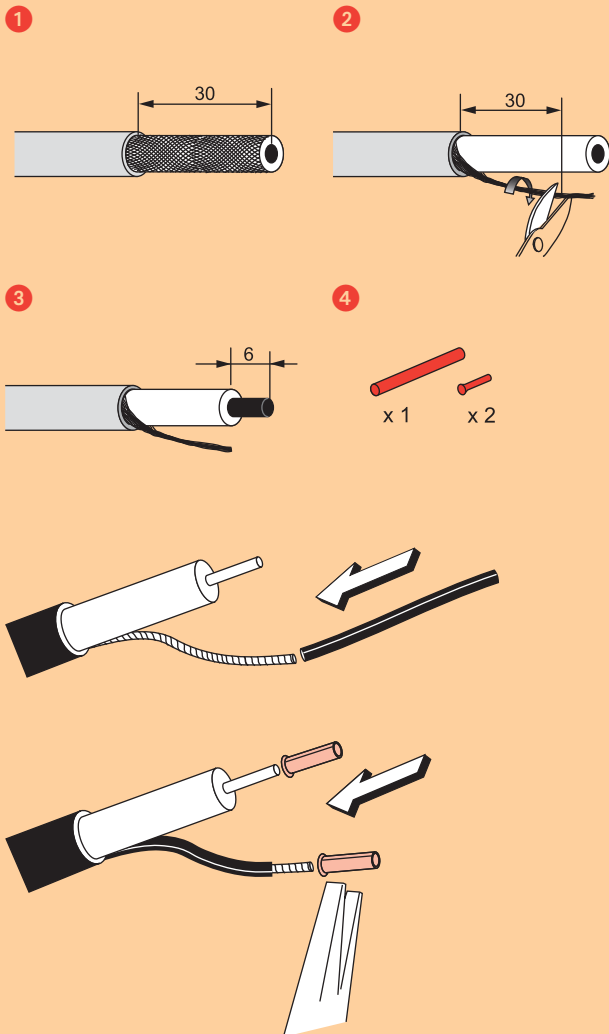
■ Technical data

AV connector

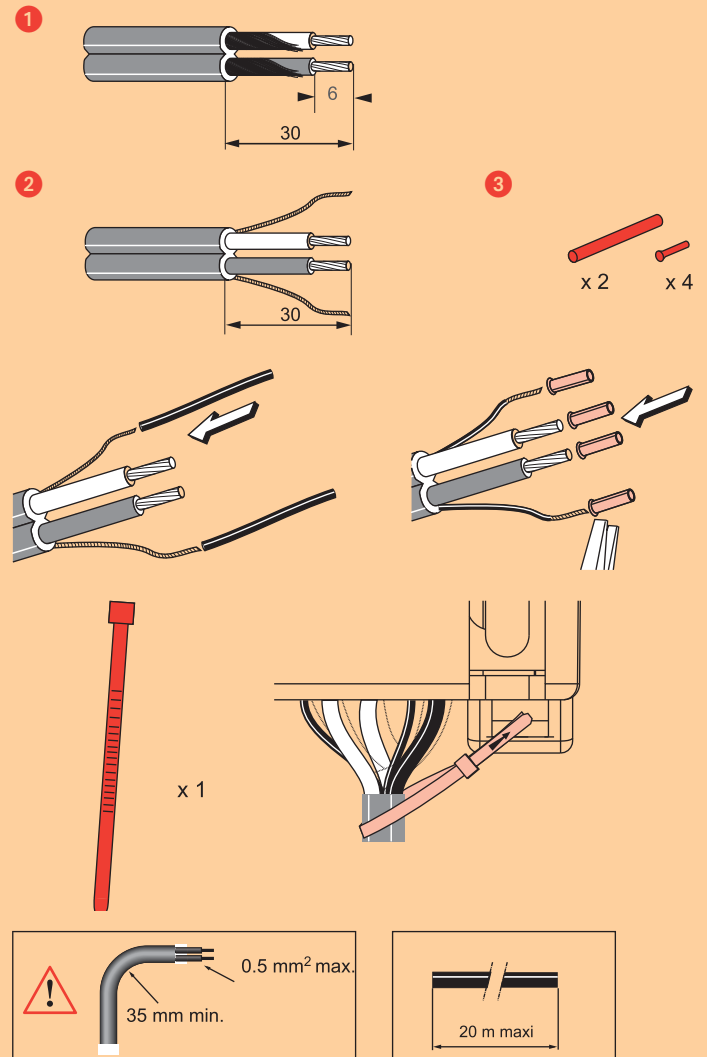
Cat. no. 6730 57 - 6731 57



Wiring diagram



AV connector



⚠ Safety Instructions

GB IE

This product should be installed in line with installation rules, preferably by a qualified electrician. Incorrect installation and use can lead to risk of electric shock or fire.

Before carrying out the installation, read the instructions and take account of product's specific mounting location.

Do not open up, dismantle, alter or modify the device except where specifically required to do so by the instructions.

All Legrand products must be opened and repaired exclusively by personnel trained and approved by Legrand.

Any unauthorised opening or repair completely cancels all liabilities and the rights to replacement and guarantees.

Use only Legrand brand accessories.

Myrius™

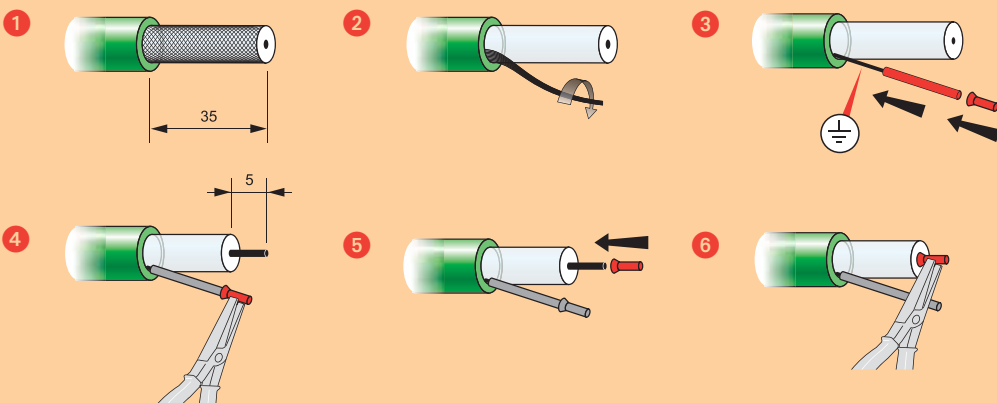
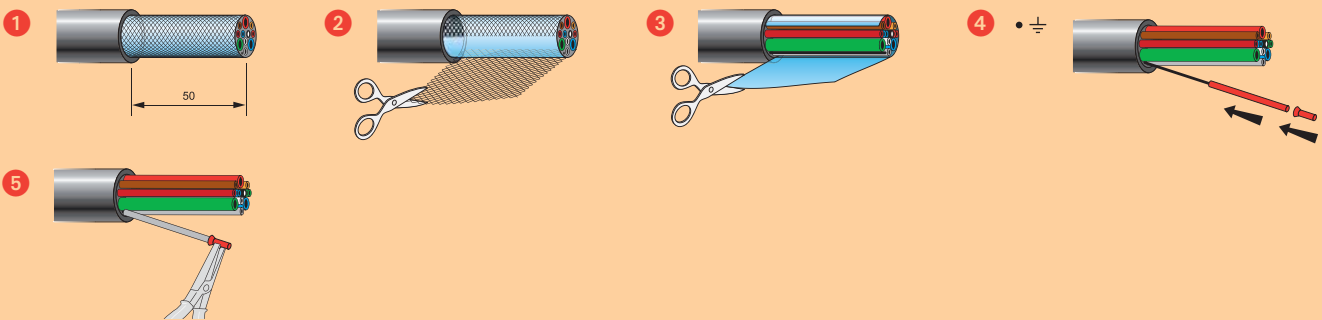
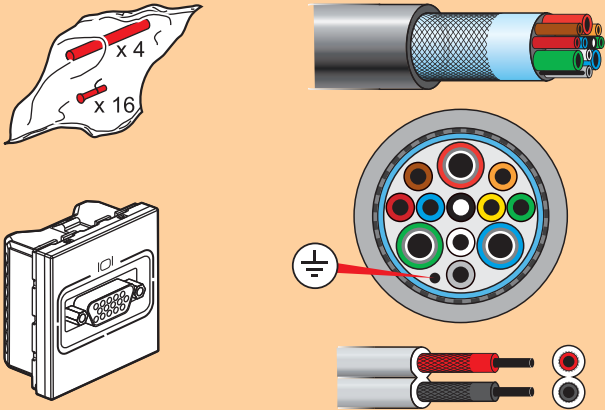
audio video connector (continued)

■ Technical data

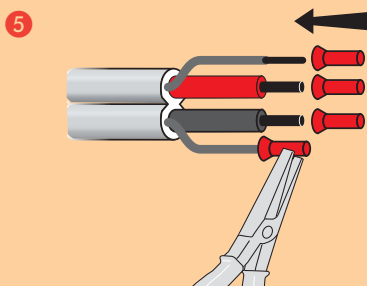
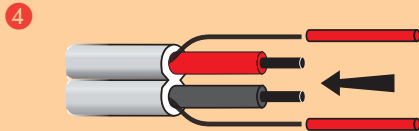
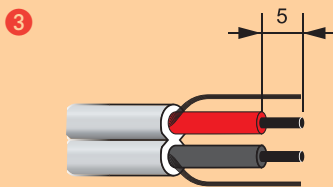
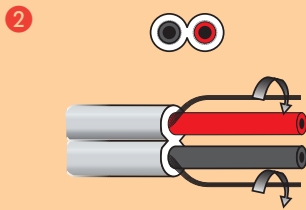
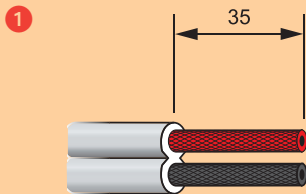
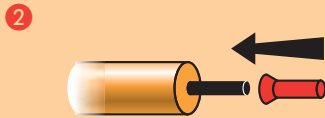
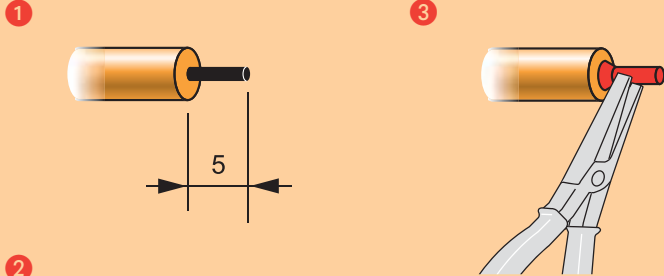
AV connector

Cat. no. 6730 59 - 6731 59

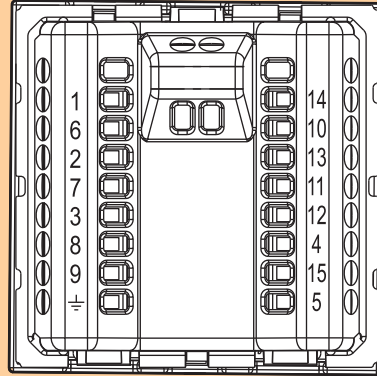
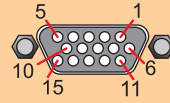
Wiring diagram of projector connector



Projector connector



Projector connector



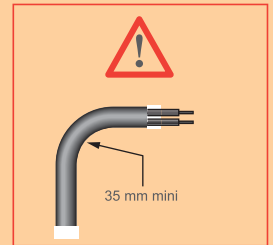
Terminal block legend (Connector legend)

VGA FULL PIN

- 1 Red coax (red)
- 6 Red braid (red ground)
- 2 Green coax (green)
- 7 Green braid (green ground)
- 3 Blue coax (blue)
- 8 Blue braid (blue ground)
- 9 White
- 14 Green (VS)
- 10 Blue (HS-VS ground)
- 13 Grey (HS)
- 11 Brown (ID Bit 0)
- 12 Yellow (ID Bit 1)
- 4 Orange (ID Bit 2)
- 15 Black (ID Bit 3)
- 5 Red (Gnd)
- General ground

VGA RGB HS VS

- 1 Red coax (red)
- 6 Red braid (red ground)
- 2 Green coax (green)
- 7 Green braid (green ground)
- 3 Blue coax (blue)
- 8 Blue braid (blue ground)
- 14 Yellow coax (VS)
- 10 Yellow braid + white (HS-VS ground)
- 13 White coax (HS)
- General ground



! Safety Instructions



This product should be installed in line with installation rules, preferably by a qualified electrician. Incorrect installation and use can lead to risk of electric shock or fire.

Before carrying out the installation, read the instructions and take account of the product's specific mounting location.

Do not open up, dismantle, after or modify the device except where specifically required to do so by the instructions. All Legrand products must

be opened and repaired exclusively by personnel trained and approved by Legrand. Any unauthorized opening or repair completely cancels all liabilities and

the rights to replacement and guarantees. Use only Legrand accessories.