

**Myrius™**  
access control - white  
hospitality functions

**Myrius™**  
sockets and connectors - white



6730 37



6730 40



6730 50



6730 51



6730 52



6730 53



6730 56

*Technical data (p. 328)*

Pack	Cat. nos.	Key fob switch
1/10	<b>6730 37</b>	15 A key fob switch with timedelay 30 sec. supplied without key fob. cat. no. 6730 38
1/10/100	<b>6730 38</b>	Only key fob for switch above

Pack	Cat. nos.	"Do not disturb" indicator and internal control unit
10/100	<b>6730 39</b>	<b>"Do not disturb" indicator (external unit)</b> to be installed on the corridor, displays the status supply with lamps
10/100	<b>6730 40</b>	<b>"DND control unit" (internal unit)</b> Allows the user to select choose the options supplied with lamps

Pack	Cat. nos.	Shaver socket
1/5/20	<b>6730 49</b>	Accept European, British, American and Australian 2 pin plugs In-built thermal protection, disconnects supply above 20 VA Supplied complete with screw caps with inbuilt IP24 protection transformer enhancing safety. Fits on 4 module Flush box

Number of modules	Pack	Cat. nos.	TV socket	Number of modules
Monobloc with plate	20/200	<b>6730 50</b>	TV socket	1
	10/100	<b>6730 51</b>	TV / Sat / FM 6 shielded socket 0 - 2400 MHz	2

Number of modules	Pack	Cat. nos.	Data & voice	Number of modules
1+1	20/200	<b>6730 52</b>	RJ-11 Telephone socket with transparent shutter	1
	20/200	<b>6730 53</b>	RJ-11 Double telephone Socket with shutter	1
	20/200	<b>6730 54</b>	UTP Cat 5e information outlets toolless system	1
	20/200	<b>6730 55</b>	UTP Cat 6	1
	10/100	<b>6730 56</b>	UTP Cat 6	2

Number of modules  
Monobloc with plate

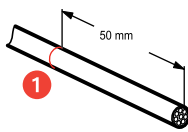
# Myrius™ RJ 45

## ■ Technical data

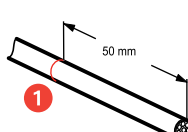
Cat.Nos 6730 54 - 6731 54/  
6730 55 - 6731 55, 6730 56-6731 56

	Cat 5e	6730 54 - 6731 54	
	Cat 6	6730 55 - 6731 55	6730 56 - 6731 56

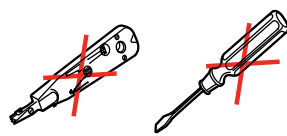
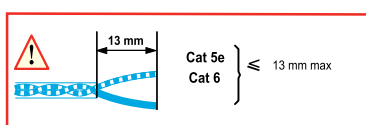
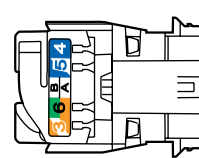
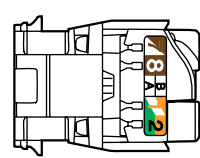
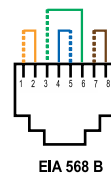
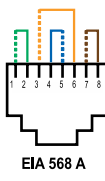
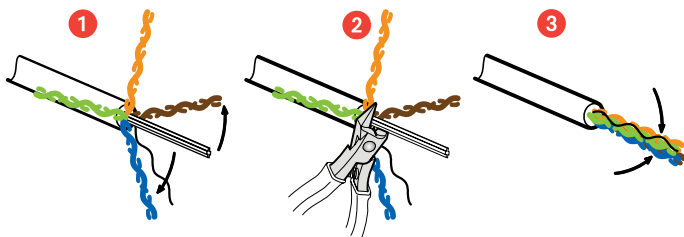
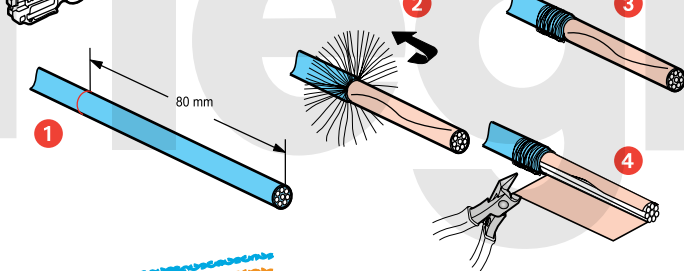
### U/UTP

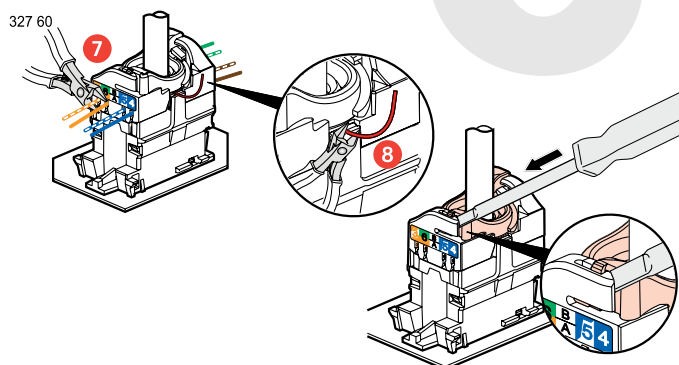
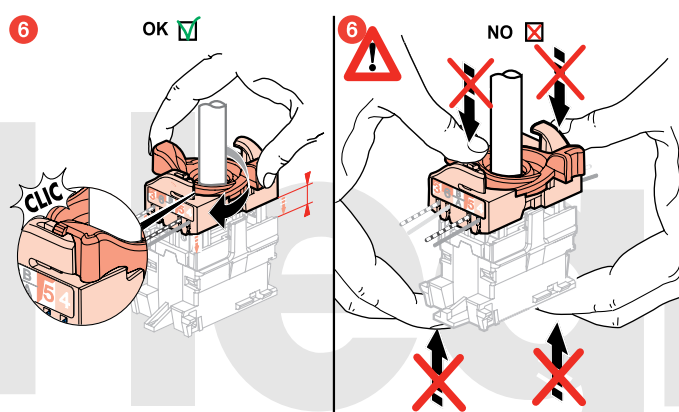
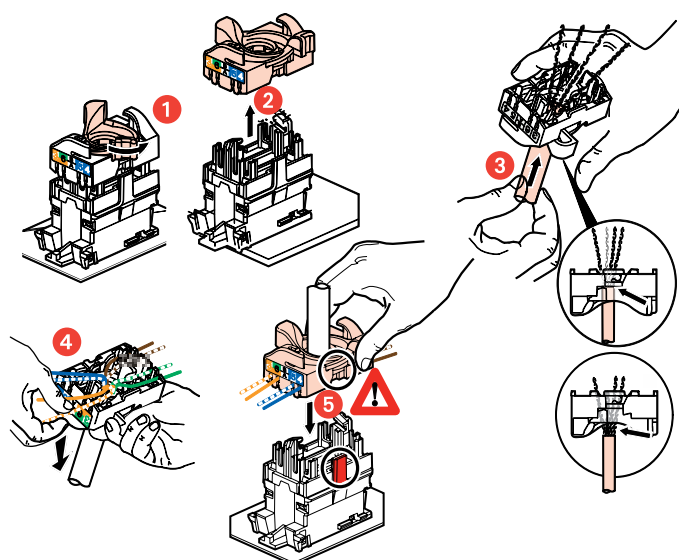


### F/UTP



### SF/UTP





 **Safety Instructions**

GB IE

This product should be installed in line with installation rules, preferably by a qualified electrician. Incorrect installation and use can lead to risk of electric shock or fire.

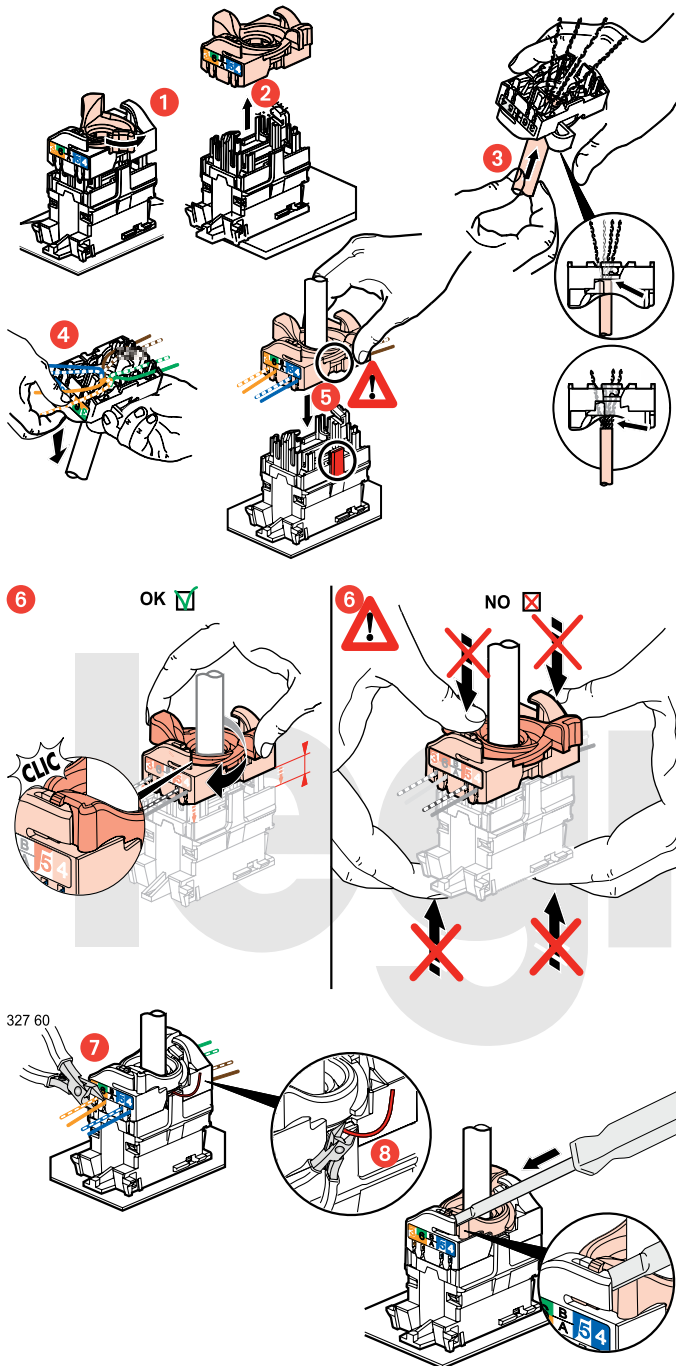
Before carrying out the installation, read the instructions and take account of the product's specific mounting location.

Do not open up, dismantle, alter or modify the device except where specifically required to do so by the instructions. All Legrand products must be opened and repaired exclusively by personnel trained and approved by Legrand.

Any unauthorised opening or repair completely cancels all liabilities and the rights to replacement and guarantees.

Use only Legrand brand accessories.

**Myrius™**  
RJ 45



**Safety Instructions**

GB IE

This product should be installed in line with installation rules, preferably by a qualified electrician. Incorrect installation and use can lead to risk of electric shock or fire.

Before carrying out the installation, read the instructions and take account of the product's specific mounting location.

Do not open up, dismantle, alter or modify the device except where specifically required to do so by the instructions. All Legrand products must be opened and repaired exclusively by personnel trained and approved by Legrand.

Any unauthorised opening or repair completely cancels all liabilities and the rights to replacement and guarantees.

Use only Legrand brand accessories.