

NEW

Myrius™
emergency light & indicators - white

Myrius™
buzzer and detector - white



0785 12



0785 71



6730 36



6730 33



6730 34

Technical data (p. 324)

Pack	Cat. nos.	Emergency light
1/1	0785 12	Emergency light unit

Pack	Cat. nos.	Indicators
1/1	0785 73	Triangular bulkhead - Blue
1/1	0785 71	Triangular bulkhead - Colourless
1/1	0785 72	Triangular bulkhead - Green
1/1	0785 70	Triangular bulkhead - Red

Technical data (p. 325-326)

Number of modules	Pack	Cat. nos.	Skirting light
2	1/5/25	6730 36	Skirting light with white LED

Number of modules	Pack	Cat. nos.	Bell indicator
2	20/200	6730 33	Bell indicator - 240V~

Number of modules	Pack	Cat. nos.	Buzzer
2	20/200	6730 34	Buzzer - 230V~ sound level 72dB at 1 meter distance

Number of modules	Pack	Cat. nos.	Sensor
2	1/10	6730 32	Infra red sensor - 300W

Number of modules	Pack	Cat. nos.	Remote unit
4	1/5/20	6730 73	Remote control switch Controls 4 lights and 1 fan of a room Regulates the fan with 10 speed levels. Inbuilt night lamp on product panel with manual operation option for all functions.

Myrius™ buzzer

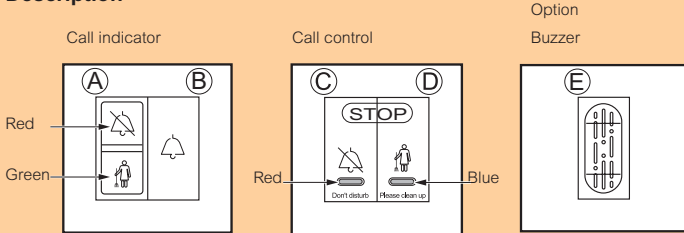
Myrius™ infrared sensor - 300W

■ Technical data

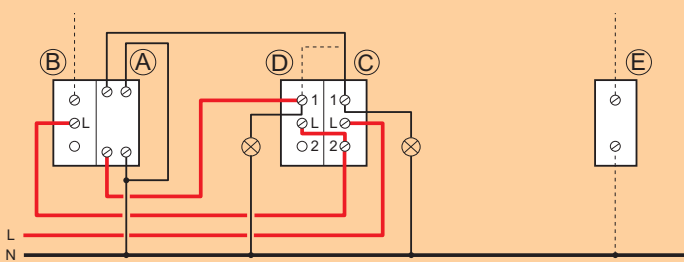
Buzzer

Cat. no. 6730 38 / 39, 6731 39 / 40, 6730 34 / 6731 34

Description



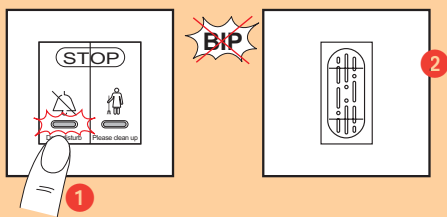
Wiring



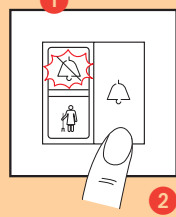
Operation

1- Instruction : «Do not disturb»

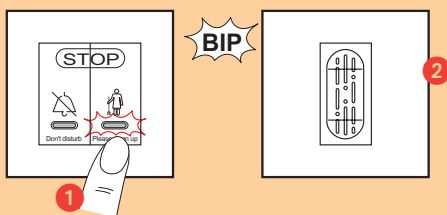
Bedroom



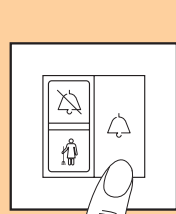
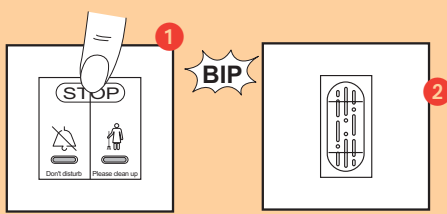
Corridor



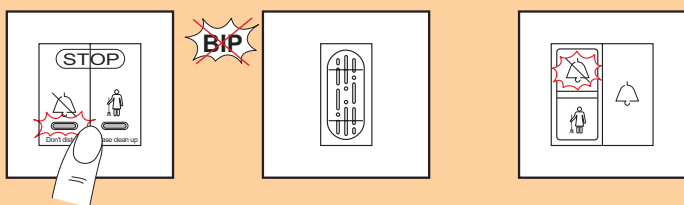
2- Instruction : «Please clean up»



3- No call



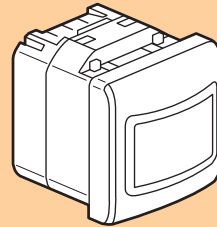
Note : If both buttons are pressed simultaneously, priority is given to the «don't disturb» call



■ Technical data

Automatic switch

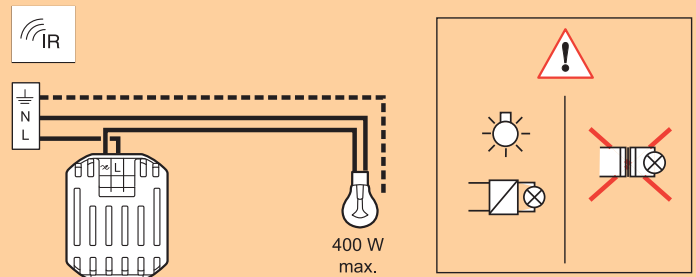
Cat. no. 6730 32 - 6731 32



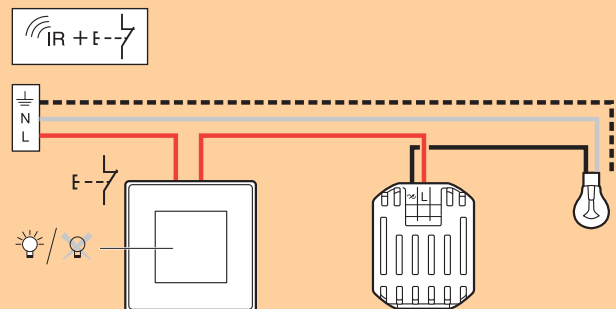
Temperature 35° 0° 100 - 240 Vac 50Hz	Cable cross-section 1 x 2.5 mm ² 2 x 2.5 mm ²	Incandescent	LED	LED + Transformer	LED + Transformer (*)
		Light bulb icon	Light bulb icon	Light bulb icon + Transformer icon	Light bulb icon + Transformer icon (*)
240 Vac	Max.	400 W	400 W	400 W	400 W
	Min.	40 W	40 W	40 W	40 W
100 Vac	Max.	200 W	200 W	200 W	200 W
	Min.	40 W	40 W	40 W	40 W

(*) Use only transformers which are intended for use with an electronic switch.

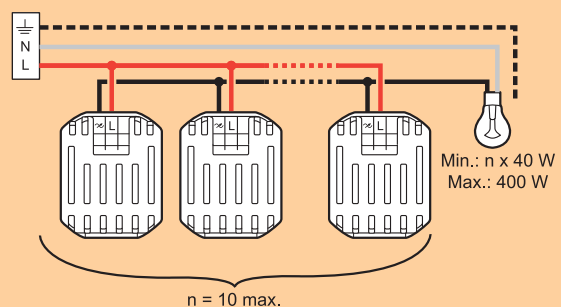
Mounting with a switch



Mounting with offset push button



Mounting with a several combined switch



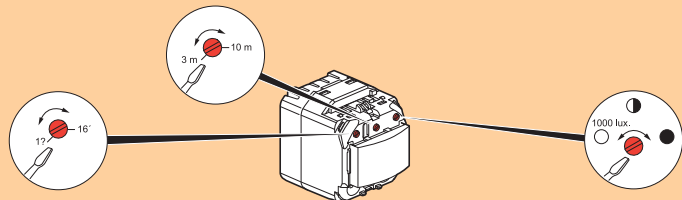
Myrius™
infrared sensor - 300W (continued)

■ **Technical data**

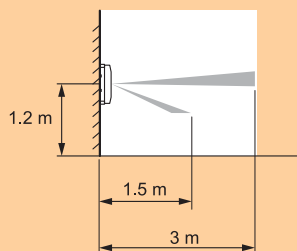
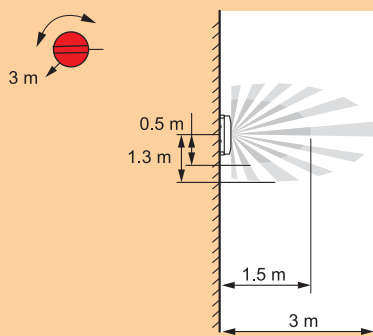
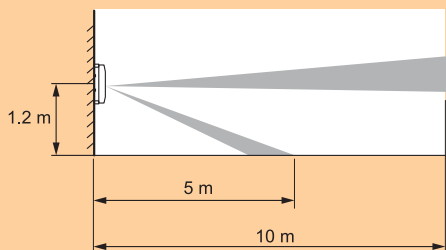
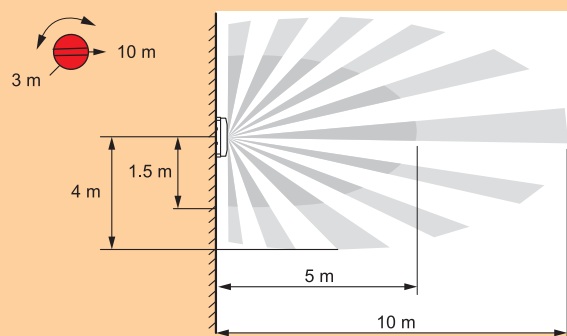
Automatic switch

Cat. no. 6730 32 - 6731 32

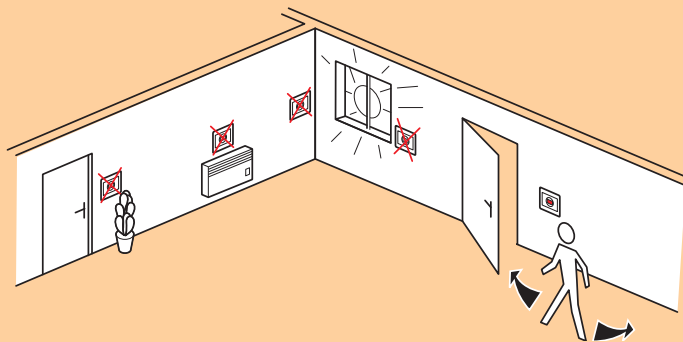
Settings



Operation



Precautions of use



⚠ Safety Instructions

GB IE

This product should be installed in line with installation rules, preferably by a qualified electrician. Incorrect installation and use can lead to risk of electric shock or fire.

Before carrying out the installation, read the instructions and take account of the product's specific mounting location.

Do not open up, dismantle, alter or modify the device except where specifically required to do so by the instructions. All Legrand products must be opened and repaired exclusively by personnel trained and approved by LEGRAND. Any unauthorised opening or repair completely cancels all liabilities and the rights to replacement and guarantees.

Use only Legrand brand accessories.

Myrius™

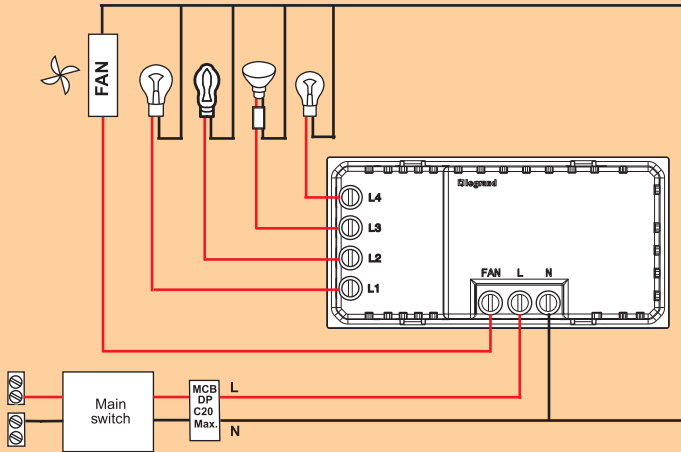
remote control switch

■ Technical data

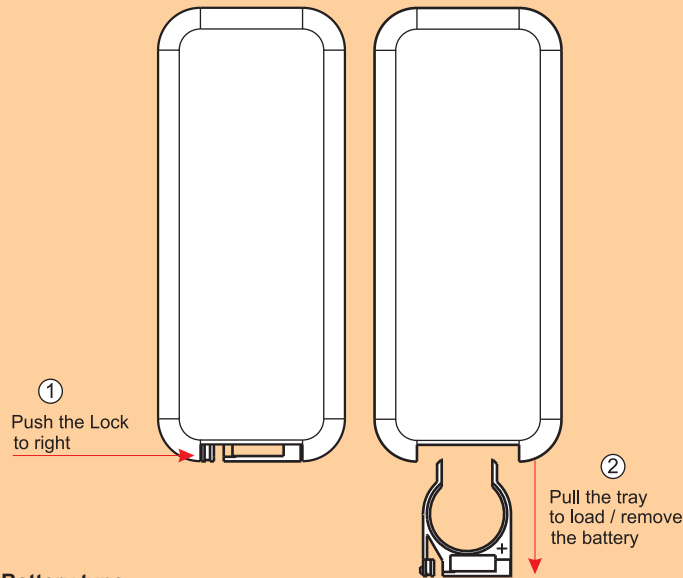
Remote control switch

Cat. no. 6730 73 - 6731 73

Wiring Diagram



Replacement of old battery

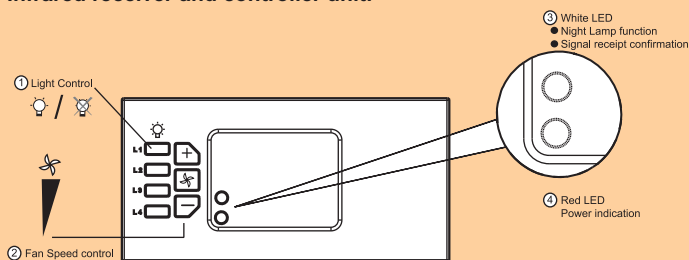


Battery type

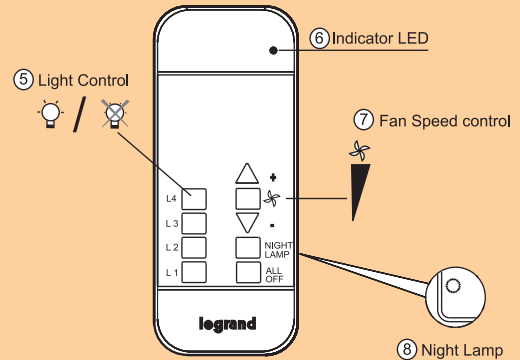
Button Cell - CR 2032 3V

Description

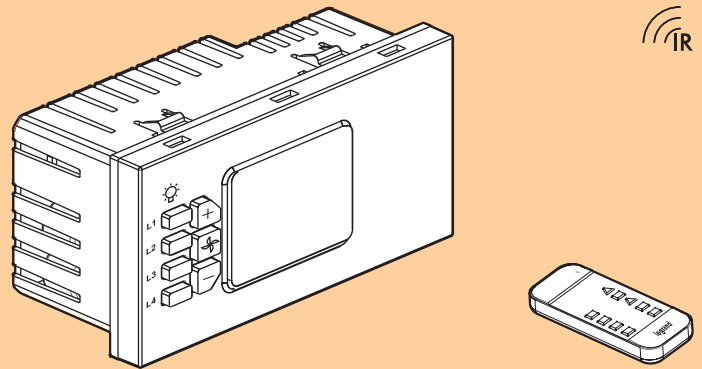
Infrared receiver and controller unit.



Infrared remote transmitter



Utilization



	①	②	③	④	⑤
40 °					
0 °					
240 Vac 50Hz					
Max.	1 x 2.5 mm ²	400 VA	200 VA	200 VA	150 VA
					120W

1. Incandescent bulbs.
2. Halogen lamp 230V~
3. Low voltage halogen lamps.
4. Fluorescent tube light.
5. 120 Watts Ceiling Fan (OFF + 10 Variable speed steps)

⚠ Safety Instructions

GB IE

This product should be installed in line with installation rules, preferably by a qualified electrician. Incorrect installation and use can lead to risk of electric shock or fire.

Before carrying out the installation, read the instructions and take account of the product's specific mounting location.

Do not open up, dismantle, alter or modify the device except where specifically required to do so by the instructions. All Legrand products must be opened and repaired exclusively by personnel trained and approved by Legrand.

Any unauthorised opening or repair completely cancels all liabilities and the rights to replacement and guarantees.

Use only Legrand brand accessories.