

NEW

Myrius™
access control - black
hospitality functions

Myrius™
sockets and connectors - black



6731 40



6731 50



6731 51

Technical data (p. 328)

Technical data (p. 329-334)

Pack	Cat. nos.	Key fob switch
1/10	6731 37	<p>15 A key fob switch with timedelay 30 sec. supplied without key fob. cat. no. 6731 38 Only key fob for switch above</p>
1/10	6730 38	

Number of modules	Pack	Cat. nos.	TV socket	Number of modules
Monobloc with plate	20/200	6731 50	<p>TV Socket</p>	1
	10/100	6731 51	<p>TV / Sat / FM shielded sockets 0 - 2400 MHz</p>	2

		<p>"Do not disturb" indicator and internal control unit</p> <p>Enables the clients to inform hotel staff of the room status</p> <p>Two settings:</p> <ul style="list-style-type: none"> • Do not disturb • Clean the room
10/100	6731 39	<p>Indicator (external unit)</p> <p>to be installed on the corridor, displays the status supply with lamps</p>
10/100	6731 40	<p>"DND control unit" (internal unit)</p> <p>Allow the user to select choose the options supplied with lamps</p>

Number of modules
1+1

1+1

		<p>Shaver socket</p> <p>Accept European, British, American and Australian 2 pin plugs</p> <p>In-built thermal protection, disconnects supply above 20 VA</p> <p>Supplied complete with screw caps with inbuilt IP24 protection transformer enhancing safety.</p> <p>Fits on 4 module Flush box</p>
1/5/20	6731 49	<p>220/240 V - 50/60 Hz</p>

Number of modules
Monobloc with plate

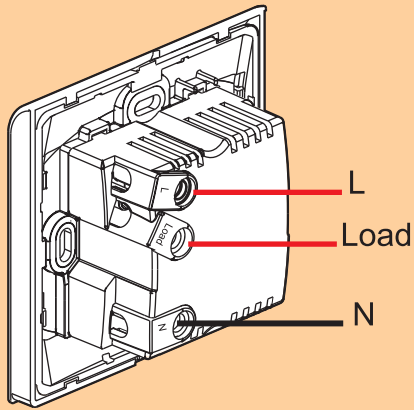
Myrius™
key fob switch

■ **Technical data**

Key fob switch

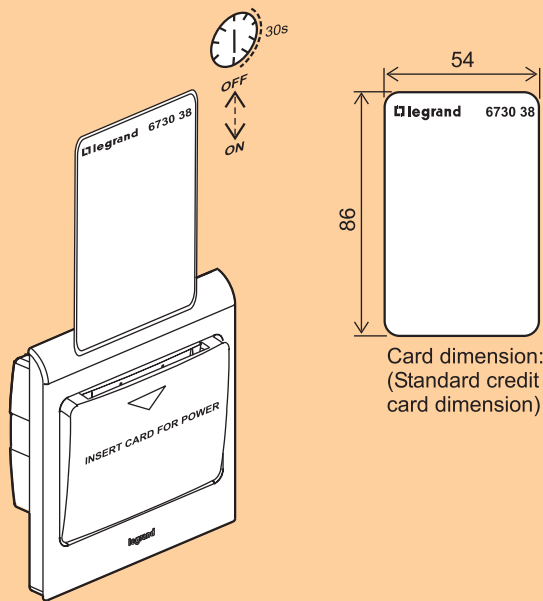
Cat. no. 6730 37 - 6731 37

Wiring diagram of key fob switch

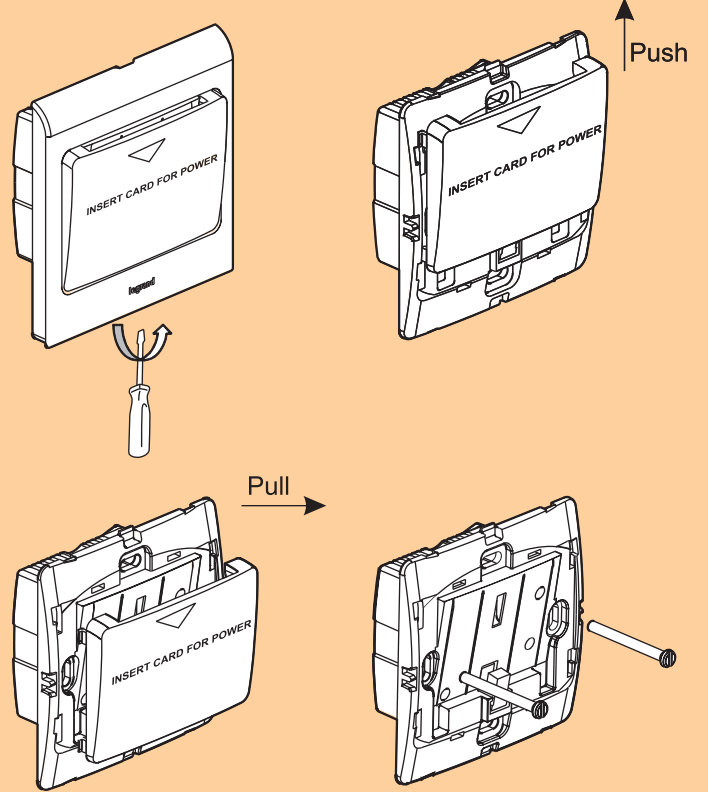


Operation

Inserting card turns power on
Removing card turns power off after an approx. 30s delay



Disassembly



Characteristics

	15A max
	15A / 230V~ $\mu \cos \phi = 1$
	4A / 230V~ $\mu \cos \phi = 0.6$

Utilization

	①	②	③	④
25°C 230 V 50 Hz			Ø26 Ø38	Ø26 Ø38
Max.	1800 W	800 W	400 VA	800 VA

1. 1800W incandescent or halogen with ferromagnetic transformer
2. 800W inductive (motor)
3. 400VA compensated fluorescent
4. 800VA fluorescent with electronic ballast

Important

For load higher than indicated in the above table, use a contactor.