

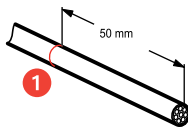
Myrius™ RJ 45

■ Technical data

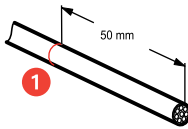
Cat.Nos 6730 54 - 6731 54/
6730 55 - 6731 55, 6730 56-6731 56

	Cat 5e	6730 54 - 6731 54	
	Cat 6	6730 55 - 6731 55	6730 56 - 6731 56

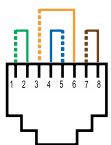
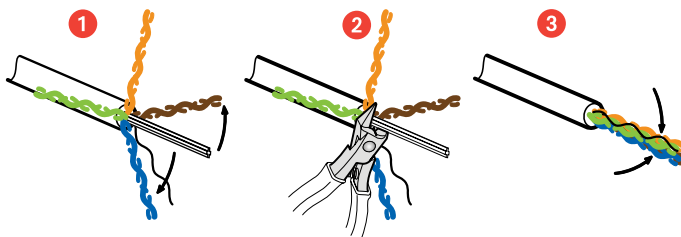
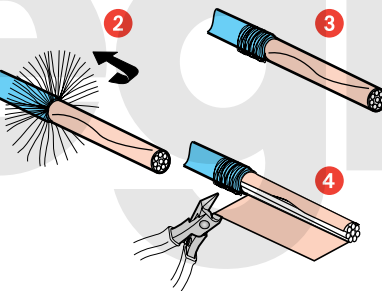
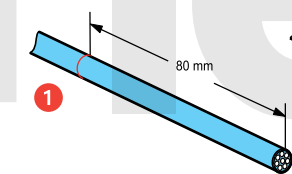
U/UTP



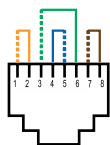
F/UTP



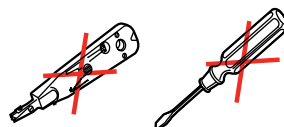
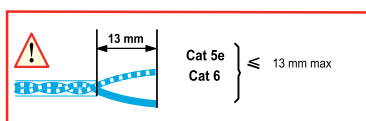
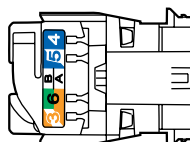
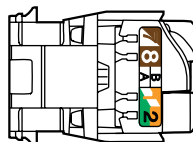
SF/UTP

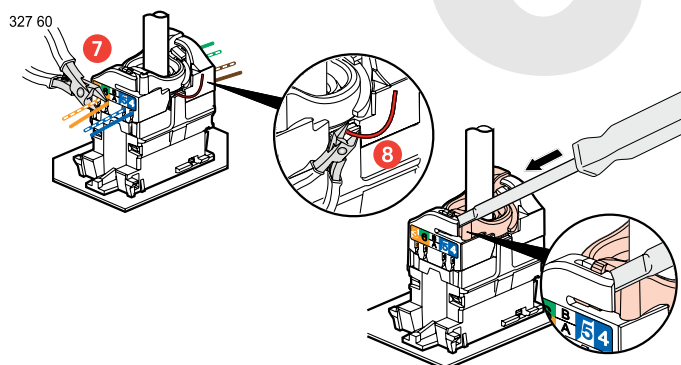
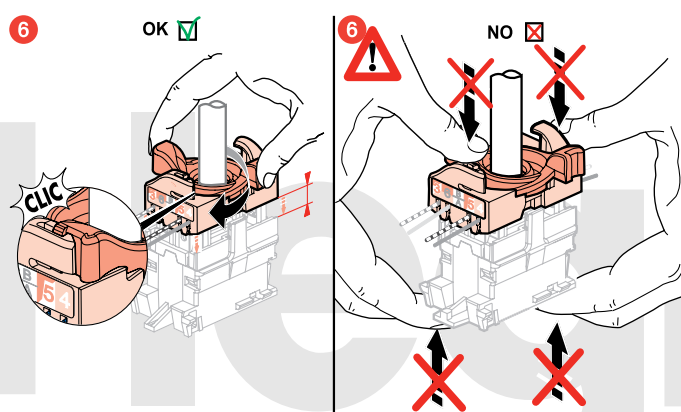
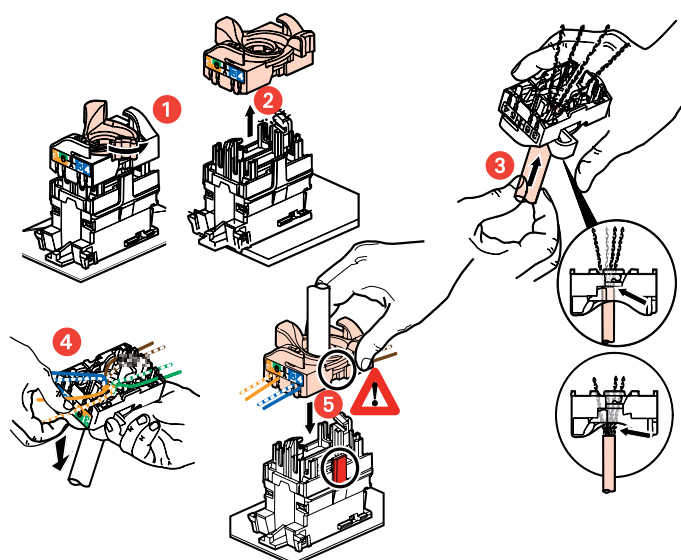


EIA 568 A



EIA 568 B





 **Safety Instructions**

GB IE

This product should be installed in line with installation rules, preferably by a qualified electrician. Incorrect installation and use can lead to risk of electric shock or fire.

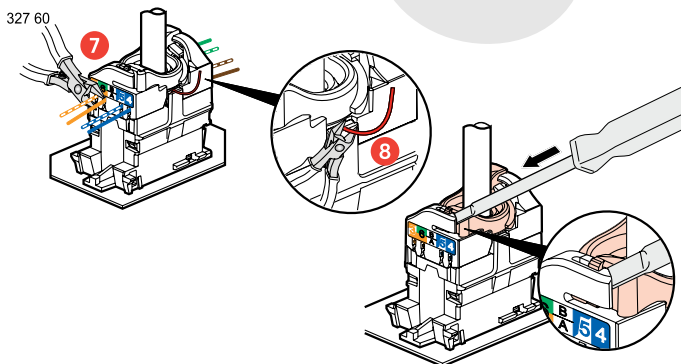
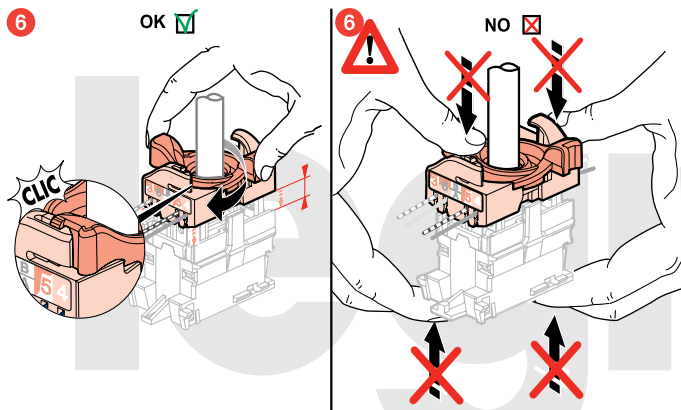
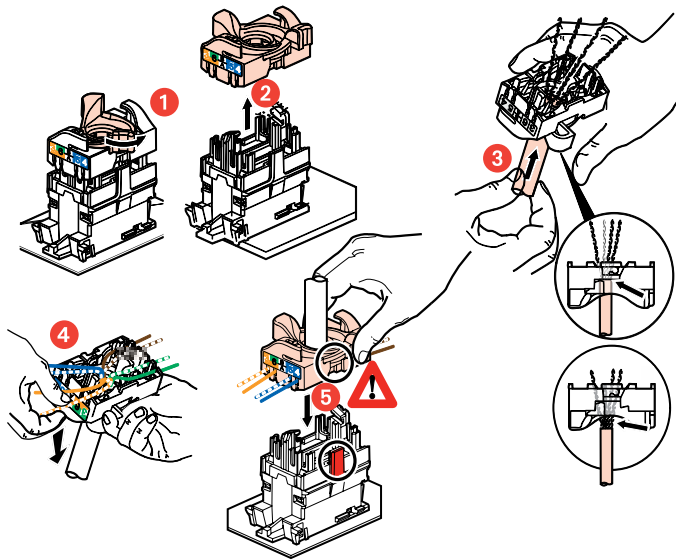
Before carrying out the installation, read the instructions and take account of the product's specific mounting location.

Do not open up, dismantle, alter or modify the device except where specifically required to do so by the instructions. All Legrand products must be opened and repaired exclusively by personnel trained and approved by Legrand.

Any unauthorised opening or repair completely cancels all liabilities and the rights to replacement and guarantees.

Use only Legrand brand accessories.

Myrius™
RJ 45



⚠ Safety Instructions

GB IE

This product should be installed in line with installation rules, preferably by a qualified electrician. Incorrect installation and use can lead to risk of electric shock or fire.

Before carrying out the installation, read the instructions and take account of the product's specific mounting location.

Do not open up, dismantle, alter or modify the device except where specifically required to do so by the instructions. All Legrand products must be opened and repaired exclusively by personnel trained and approved by Legrand.

Any unauthorised opening or repair completely cancels all liabilities and the rights to replacement and guarantees.

Use only Legrand brand accessories.

NEW

Myrius™ sockets and connectors - black



6731 52



6731 53

Technical data (p. 329-334)

Pack	Cat. nos.	Data & voice	
20/200	6731 52		RJ-11 Telephone Socket with transparent shutter
20/200	6731 53		RJ-11 Double Telephone Socket with shutter
20/200	6731 54		UTP Cat 5e RJ 45 information outlets
20/200	6731 55		UTP Cat 6
10/100	6731 56		UTP Cat 6

Myrius™ connectors, controllers, protectors and accessories - black



6731 59



6731 63



6731 70

Technical data (p. 330-334)

Number of modules	Pack	Cat. nos.	Audio & video connector	Number of modules
1	1/10	6731 57	3 x female RCA For composite video & stereo, audio connection of a DVD drive, camera, video conference.	1
1	10/100	6731 58	3 pole XLR sockets For stereo connection of any peripheral, microphone, mixing console.	2
1	1/10	6731 59	Female HD 15 For VGA, XGA or VESA connection of a PC monitor, plasma screen, video projector.	2
2				
	1/10/100	6731 63	Sound (Volume controller) Suitable for 8 Ohms, 3 Watts (RNS) speaker. Rating : 11 steps + OFF (Full rotation type)	Number of modules 2
	1/10/100	6731 30	Motor starter 16 A Motor Starter	Number of modules 2
	1/10/100	6731 31	25 A Motor Starter	2
	20/200	6731 70	VSP Surge Filter (VSP)-230V~	Number of modules 1
	20/200	6731 60	Accessories Cable Outlet - 8mm	Number of modules 1
	20/200	6731 61	Blanking Plate	1

Myrius™
RJ 11

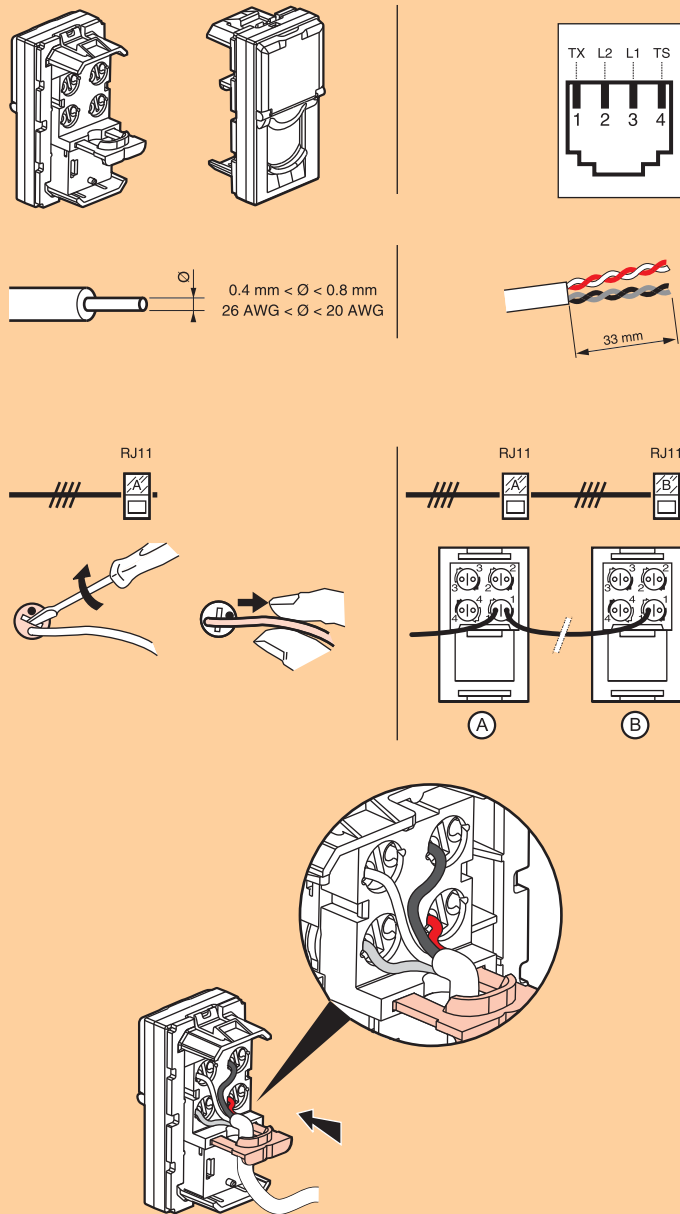
Myrius™
RJ 45

■ **Technical data**

RJ 11

Cat. no. 6730 52 - 6731 52

Wiring diagram



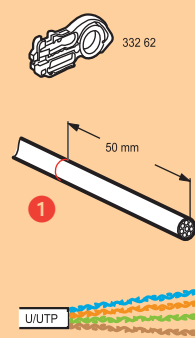
■ **Technical data**

RJ 45

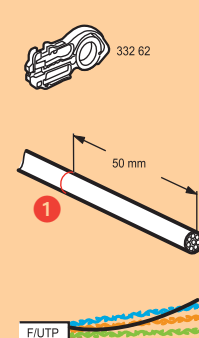
Cat. no. 6730 54 - 6731 54 /
6730 55 - 6731 55, 6730 56-6731 56

UTP	Cat 5e	6730 54 - 6731 54	
	Cat 6	6730 55 - 6731 55	6730 56 - 6731 56

U/UTP



F/UTP



SF/UTP

