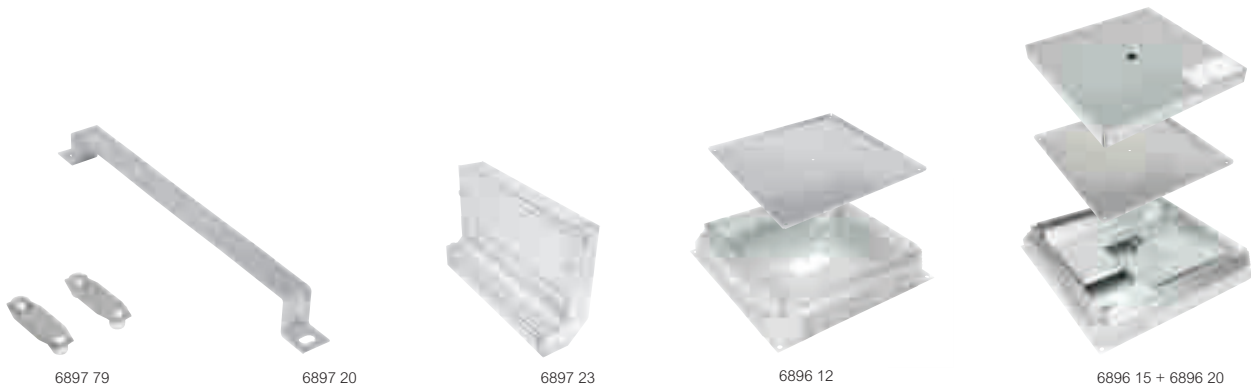


NEW

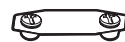
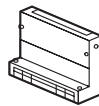
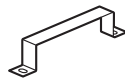
Raceways and junction boxes for screed floors



Dimensions (p. 428-429)
Technical characteristics (p. 428-429)

Confirms to EN 50 085 - 2 - 2
Raceways are made from PVC and Galvanised sheet.
Compatible with Cat.6 structured cabling system.

Pack	Cat.Nos	Raceways accessories
		Fixing bracket
		For fixing Raceways on the floor
9	6897 09	50 mm x 25 mm (metal)
9	6897 10	75 mm x 25 mm (PVC and metal)
9	6897 12	100 mm x 25 mm (metal)
9	6897 15	150 mm x 25 mm (PVC and metal)
9	6897 20	225 mm x 25 mm (PVC and metal)
9	6897 30	300 mm x 25 mm (PVC and metal)
9	6897 27	50 mm x 38 mm (PVC and metal)
9	6897 28	75 mm x 38 mm (metal)
9	6897 37	100 mm x 38 mm (PVC and metal)
9	6897 38	150 mm x 38 mm (PVC and metal)
9	6897 25	225 mm x 38 mm (metal)
9	6897 35	300 mm x 38 mm (metal)
		Riser
1	6897 23	Vertical - 225 mm width Raceways
1	6897 33	Vertical - for 300 mm width Raceways
		Coupler for joining Raceways
6	6897 77	Coupling 38
6	6897 79	Coupling 25



Pack	Cat.Nos	Junction box
		For direct access to cables at the intersection of Raceways
		Supplied completely with base and cover plate (Lid)
		Height adjustable junction box 65 - 90 mm
1	6896 10	150 x 150 x 65 - 90 mm
1	6896 11	225 x 225 x 65 - 90 mm
1	6896 12	300 x 300 x 65 - 90 mm
1	6896 13	400 x 400 x 65 - 90 mm
		Height adjustable junction box 65 - 90 mm with fly over
		For direct access to cables at the intersection of floor Raceways while maintaining perfect separation and 90° cross overs between data and power cables
1	6896 14	225 x 225 x 65 - 90 mm with flyover
1	6896 15	300 x 300 x 65 - 90 mm with flyover
1	6896 16	400 x 400 x 65 - 90 mm with flyover
		Optional site cover for junction box
10	6896 18	150 x 150 x 65 - 90 mm with metal cover
10	6896 19	225 x 225 x 65 - 90 mm with metal cover
10	6896 20	300 x 300 x 65 - 90 mm with metal cover
10	6896 21	400 x 400 x 65 - 90 mm with metal cover

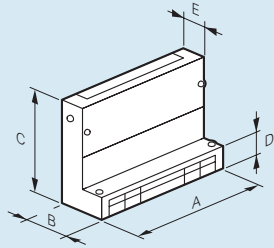


Raceways accessories for screed floor

■ Dimensions

Riser Cat.Nos 6897 23/33

The riser allows a change of direction (horizontal to vertical) of the Raceways. Conduit or Raceways can be run vertically from the box.

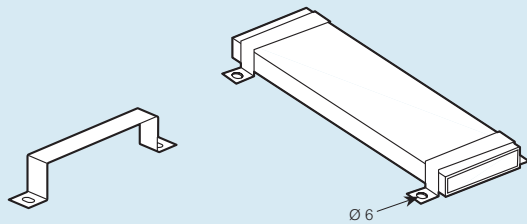


Use for Raceways	Cat.Nos
225 x 38 mm PVC or metal	6897 23
300 x 25 / 38 mm PVC or metal	6897 33

Cat.Nos	A (mm)	B (mm)	C (mm)	D (mm)	E (mm)
6897 23	250	89	201	43	52
6897 33	325	89	201	43	52

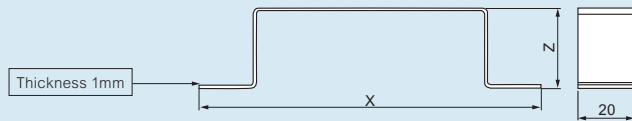
■ Dimensions

Fixing bracket Cat.Nos 6897 09/10/12/15/20/25/27/28/30/35/37/38



For fixing Raceways onto the slab.

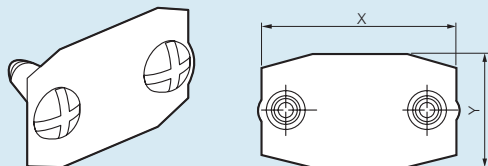
Dimension (mm)



Dimension (mm)

Cat.Nos	Fixing brackets	X	Z
6897 09	50 x 25 mm	92	27.5
6897 10	75 x 25 mm	120	27.5
6897 12	100 x 25 mm	142	27.5
6897 15	150 x 25 mm	194	27.5
6897 20	225 x 25 mm	267	27.5
6897 30	300 x 25 mm	342	27.5
6897 27	50 x 38 mm	92	40.5
6897 28	75 x 38 mm	120	40.5
6897 37	100 x 38 mm	142	40.5
6897 38	150 x 38 mm	194	40.5
6897 25	225 x 38 mm	267	40.5
6897 35	300 x 38 mm	342	40.5

Couplings Cat.Nos 6897 77/79



Used to connect two Raceways lengths

Cat.Nos	Designation	X	Z
6897 77	Coupling 38	55	32
6897 79	Coupling 25	55	19

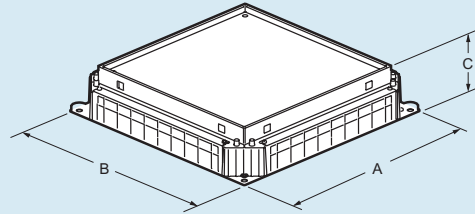
Thickness: 1mm, Comes with 2 screws M6 x 10

junction box for screed floor

■ Dimensions

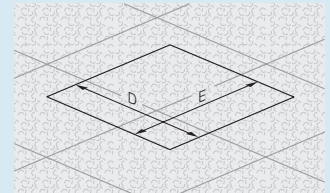
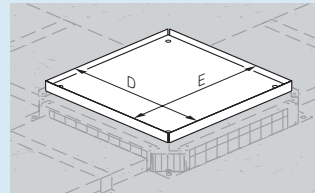
Junction box Cat.Nos 6896 10/11/12/13/14/15/16

The junction box should be positioned directly on the slab. It provides access to cables at the intersection of trunkings or changes of direction. The junction box allows deviation of power and data cables. Screed height should be between 65 to 90 mm. Junction boxes are supplied with a base with flyovers and a lid. A disposable cover protection is available as an option. Side plates are pierced to suit Raceways.



Dimensions (mm)

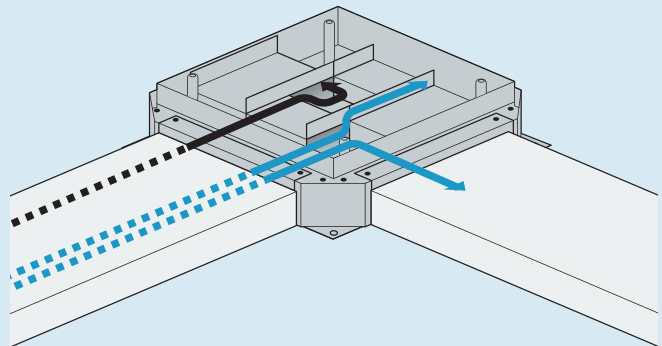
Cat.Nos	A	B	C
6896 10	252	252	65-90
6896 11/14	325	325	65-90
6896 12/15	402	402	65-90
6896 13/16	500	500	65-90



Dimensions (mm) for carpet cut out

Cat.Nos	D	E
6896 10	192.5	192.5
6896 11/14	263	263
6896 12/15	340	340
6896 13/16	437	437

Note: junction box with flyovers include for Cat.Nos 6896 14/15/16

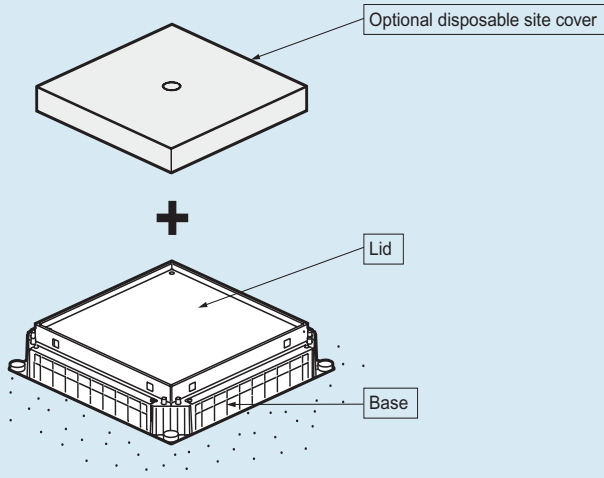


junction box for screed floor

Raceways system for screed floor

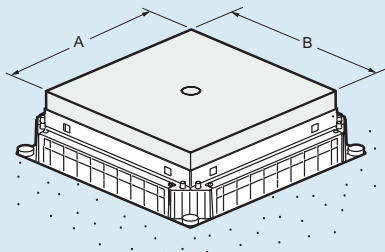
■ Dimensions (continued)

Junction box Cat.Nos 6896 10/11/12/13 & Mask Cat.No 6896 18/19/20/21



Raceways	150 mm max.	225 mm max.	300 mm max.	400 mm max.			
Disposable site cover	6896 18	6896 19	6896 20	6896 21			
Junction box	6896 10	6896 11	6896 14	6896 12	6896 15	6896 13	6896 16

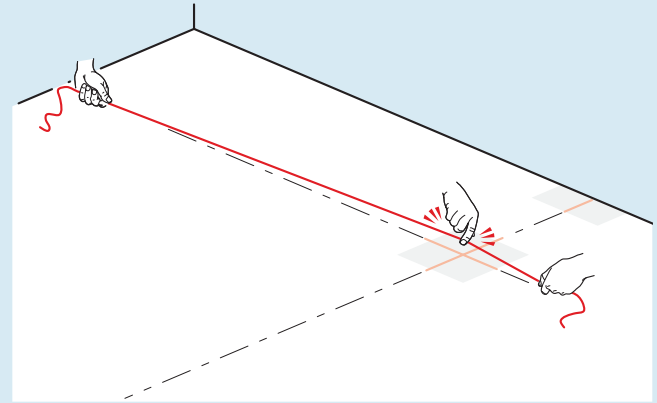
A (mm)	B (mm)	A (mm)	B (mm)	A (mm)	B (mm)	A (mm)	A (mm)
198	198	287	267	348	348	446	446



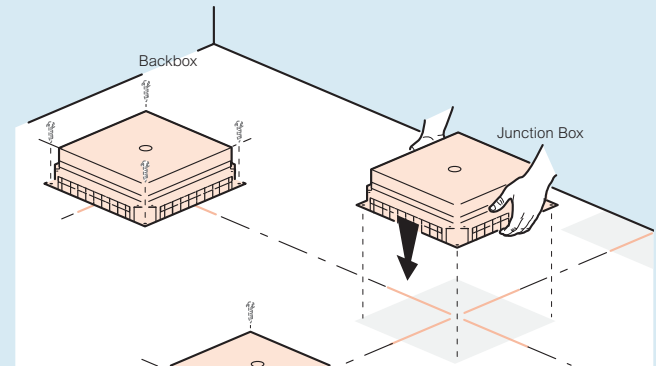
The junction box includes a base, flyovers, lid and the disposable cover protection. The junction box is designed to suit Raceways allows cables to be pulled over long distances.

■ Installation process

Mark the pathway for Raceways, junction boxes and backboxes.



Fix risers, junction boxes and backboxes on the slab.



Remove knockouts as per Raceway dimension.

