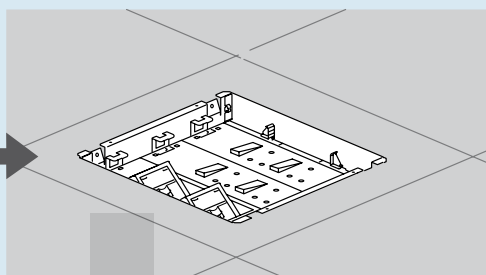
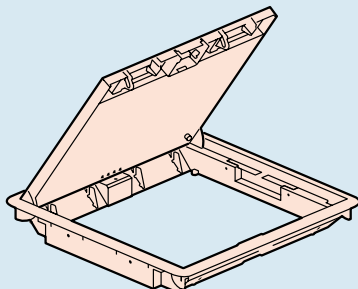


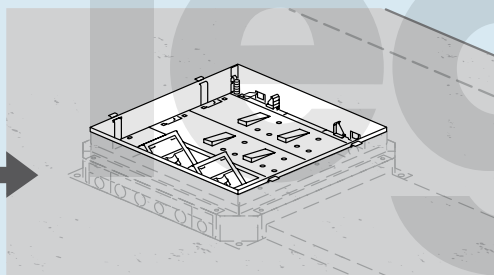
■ **Application**

Lid and trim can be used for all applications: screed and raised access floor systems. It allows a uniform finish within the project

Cat.No 6896 31



Raised floor



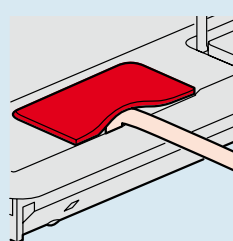
Screed floor

■ **Functions**

Lid & trim

Flexible cable exits

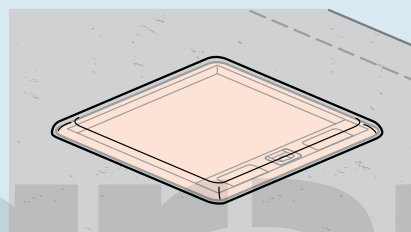
Flexible cable exits: maximum cable capacity 4 cables
Ø7 mm + 3 cables Ø11 mm. Both systems provide maximum protection for cables. Flexible exit does not require closing when not in use.



Soft cable exits

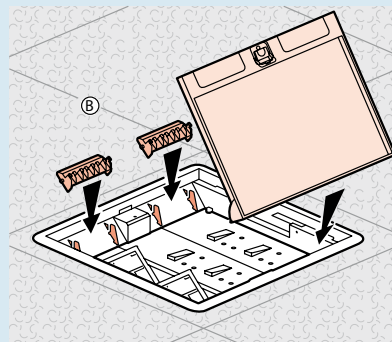
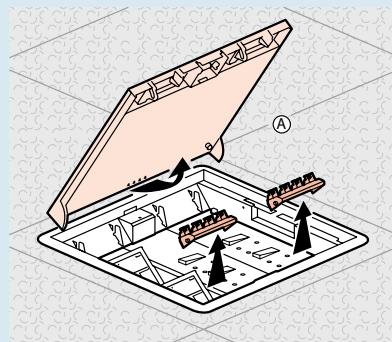
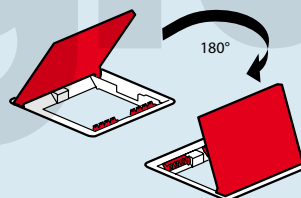
Site protection cover

Lid and trim comes with a building site protection to avoid damages during installation. This site protection should be removed to access the floor box and can be repositioned afterwards. Site protection cover should remain on the floor box until hand-over of the project



Reversible lid

The lid is reversible (180°) to adapt to office furniture reconfiguration



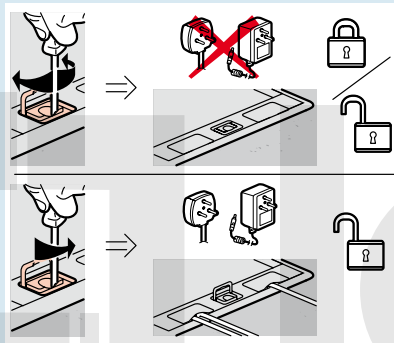
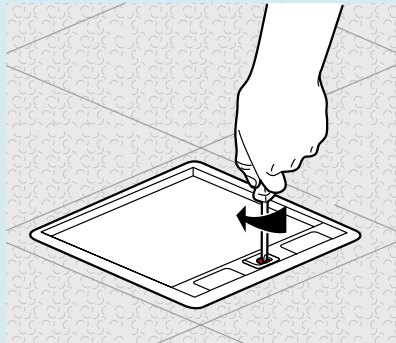
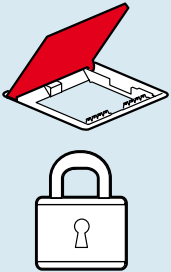
lid and trim for carpet floor boxes

■ Functions

Lid & trim (continued)

Locking system

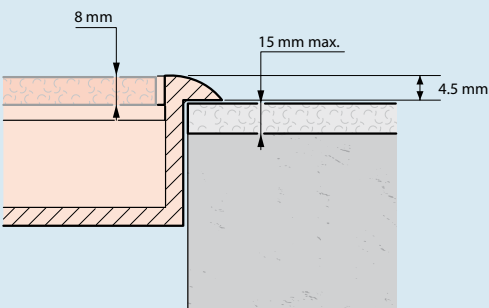
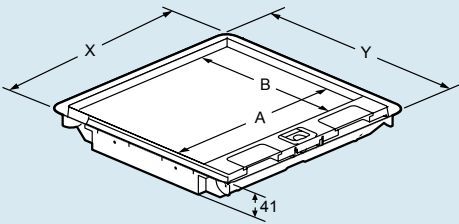
The floor box can be locked by means of a locking system on the lid (hidden under the opening handle). For safety reasons, floor box should not be locked when in use



■ Dimension

Lid & trim

Maximum cable capacity 4 cables Ø7 mm + 3 cables Ø11 mm



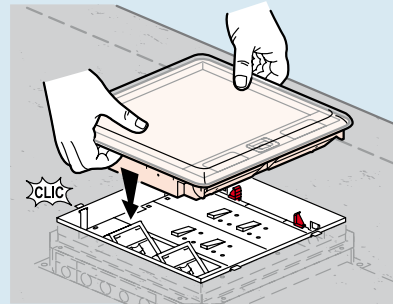
Carpet thickness < 15 mm

Cat.No	X	Y	A	B
6896 31	280	280	245.5	210

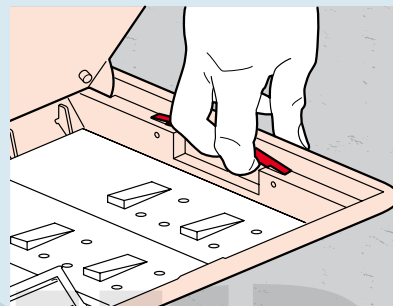
- 3 compartments
- Grey RAL 7031

■ Installation process

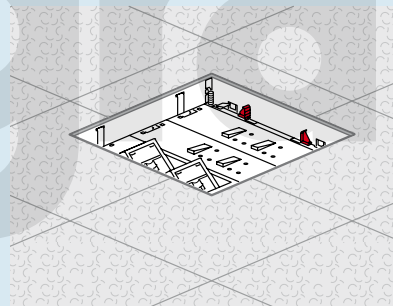
Fix the lid and trim directly onto the backbox, push and fit system. Lid and trim can be assembled with backbox even before carpet fitting



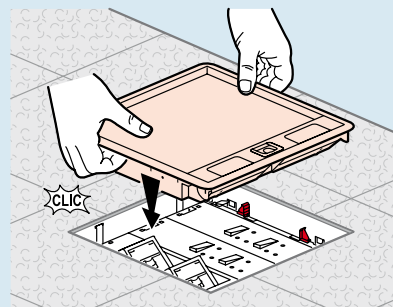
To fit carpet, pull the levers on both sides to take out the lid and trim



Fit the carpet to the backbox edge



Push the lid and trim back on to the backbox The trim will adjust to the carpet thickness



Put 8 mm carpet tile on the lid, to have perfect finish

