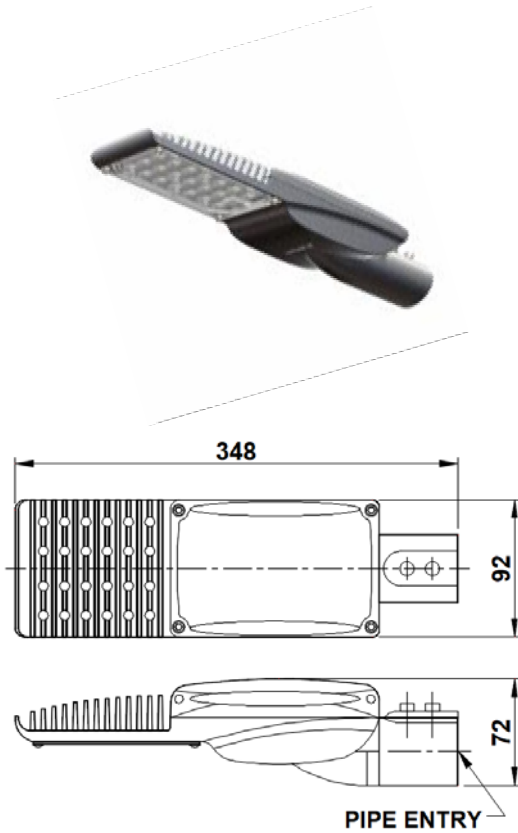


LED Streetlight



Overall Tolerance $\pm 2\text{mm}$

Features

- Epoxy powder coated pressure die-cast aluminium housing with weatherproof gasket for control gear compartment.
- MCPCB with LEDs and modular lens optics fixed to the pressure die-cast housing with SS screws.
- LED make: OSRAM
- The driver used is specially designed to have built-in surge voltage, open/short circuit protections.
- Side entry mounting for 30mm to 38mm OD pipe bracket.
- Top maintenance: Access to driver is from the top.

General Information

| | |
|-------------------------------------|-------------------------|
| Product Category | LED Roadway Luminaire |
| System Wattage | 45W |
| Luminous flux | 4500 lm $\pm 10\%$ |
| Luminaire efficacy | 100 lm/W |
| Correlated Color Temperature | 5700K $\pm 300\text{K}$ |
| Color Rendering Index | >70 |
| Maintenance of lumen output | 50000 hrs. |
| Operating Temperature Range | -10°C to 50°C |
| Beam Angle | 140° x 85° |

Operating and Electrical

| | |
|--|----------------------|
| Input Voltage | 140 to 270V AC |
| Input Frequency | 50 to 60Hz |
| System Current in Amp. @240V AC | 0.18A |
| Power Factor | > 0.95 |
| THD | <10% |
| LED driver Cat. Ref. | Philips Xitanium 50W |
| Built-in Surge protection | 4 kV |
| External Surge Protection | 10 kV |

Product data and Ordering data

| | |
|--------------------------|------------------|
| Product Cat. Ref. | BRTFG 45W LED V2 |
| Product Code | 112928 |
| Case Lot | 6 no. |
| Net weight | 1.9 kg Approx. |

Approval

| | |
|-------------------------------------|------|
| Ingress Protection | IP66 |
| Mechanical impact protection | IK07 |

Note : Data subject to variation due to change/improvement in the design, materials and processes. Rev-01, Dated.19/06/2019