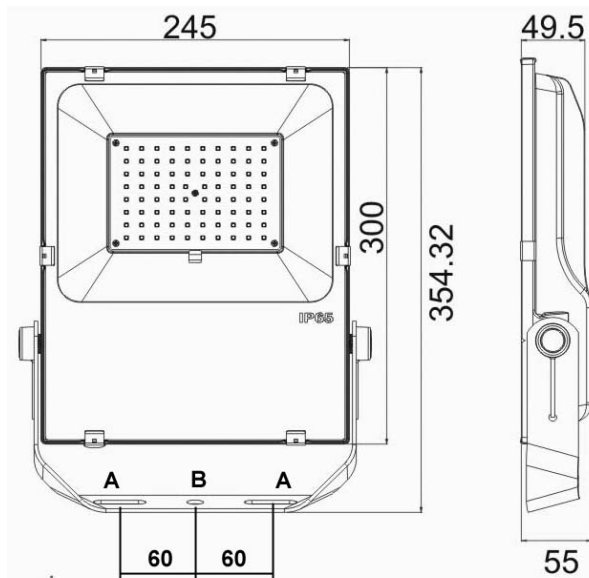




LED AREA LIGHTING
"AMAZE"

BJFL 80W LED I

Integral 80W LED floodlight luminaire



A = SLOTS, 40mm Lg x 10mm WIDE - 2 Nos.
B = DIA 12.5mm HOLE - 1 No.

Nominal dimensions in mm Tolerance +/-5 (Except mtg. Hole)

Application

- Lighting of small to medium size bill boards, Parking areas around the residences,
- Building complexes and colonies, Security lighting, General area lighting, Lighting of monuments, etc.

Specification

- Pressure die-cast aluminum LED housing designed to act as heat sink for efficient dissipation of heat.
- Electrochemically brightened and anodized aluminum reflector with modular lens.
- Heat resistant toughened glass provided with gasket and SS clips to ensure ingress protection of IP65.
- LED Colour Temp.: 5700K ±300K
- Luminaires provided with a mounting bracket for aiming adjustment.
- Driver provided with input voltage surge, open and short circuit protection.
- In addition to built-in 4kV surge protection in driver, it is equipped with 10kV external surge protection.
- Finish: Powder coated.

Electrical Data

Product Code	Cat. Ref.	Nominal Voltage (V) AC	System Wattage (W)	System Current In Amps. At 240V AC	Power Factor
169935	BJFL 80W LED I	240	80	0.35	≥ 0.95

Data subject to variation due to change/improvement in the design, materials and processes.

<p>BAJAJ LUMINAIRES Making the difference</p>	DRAWN	KPM	20-06-2017	FOR -
	CHECKED	AS		REV - 0 DATE-07-09-2017
	APPROVED	DVRS		DRG. No
	DATA SHEET RELEASED ON DT-			BJFL 80W LED I - 001