

LRMI07I/10 Datasheet

Occuswitch movement detector



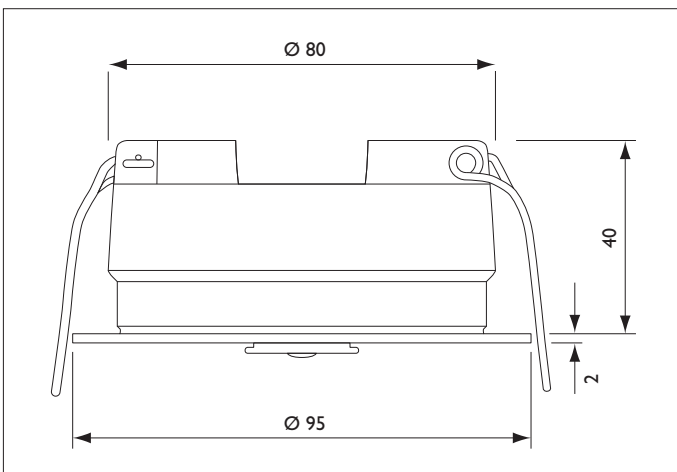
General description

The Occuswitch is a movement detector with a build-in switch. It will switch off the lights in a room or area when it is vacated and thus save up to 30% of electrical energy. The Occuswitch can switch any load up to 6 A and control an office area of around 20m².

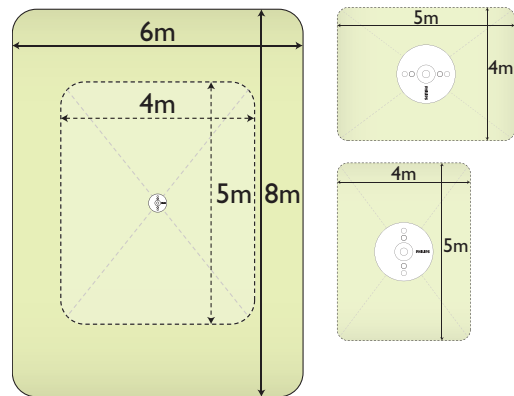
Applications

The Occuswitch is designed for use in offices and similar applications, including toilets, storage rooms, etc. It is optimized for recessed ceiling mounting and for mounting heights between 2.5 and 3.5 meter.

The Occuswitch's detection pattern (see drawing) is 4 by 5 meters for small movements (desk work) and 6 by 8 meters for larger movements like walking.

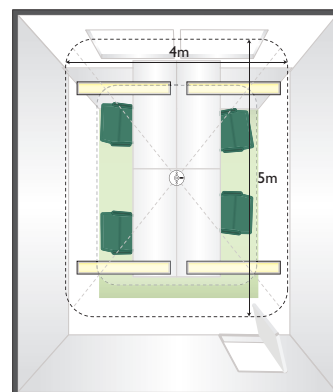


Dimensions in mm



Detection pattern

Position Occuswitch



Standard application

Functions

Automatic control

The Occuswitch switches the lights on automatically when presence is detected and switches the lights off after the area is vacated (after 1 to 30 minutes depending on the settings).

Daylight override

It is possible to prevent the automatic switch-on when sufficient daylight is available in order to create additional savings.

Features

Smart timer

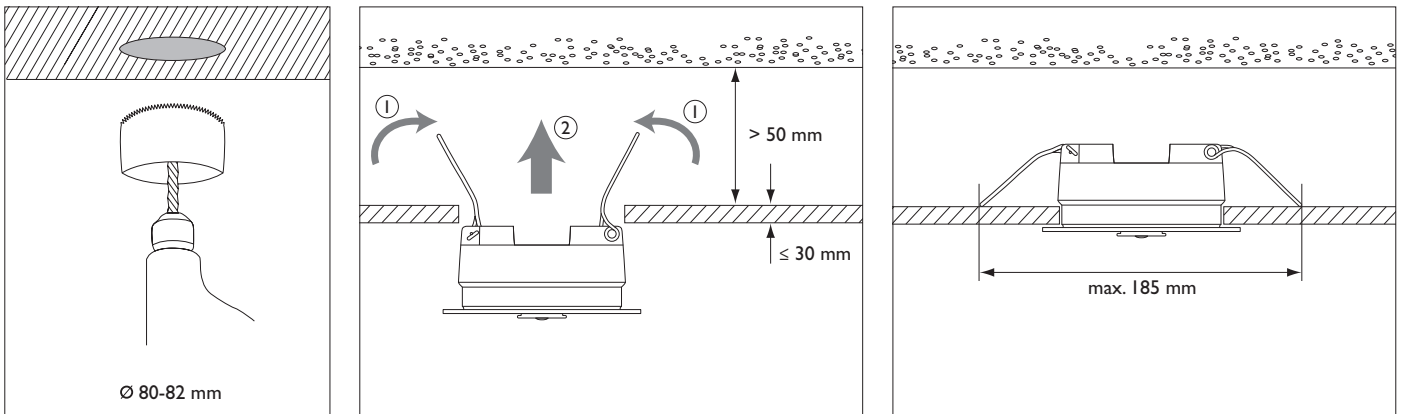
The smart timer will extend the delay time by 10 minutes if movement is detected shortly after switch-off, assuming that the area is still in use, but very little movement is made.

Shield

The Occuswitch has a retractable shield that can be used to shield off areas like corridors, adjacent to the area the Occuswitch is controlling.

Fixing

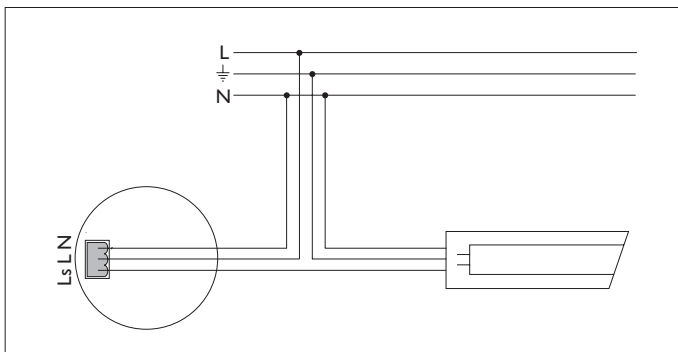
The Occuswitch can be mounted recessed in the ceiling as shown in the diagram below.
 When selecting a location for the Occuswitch, avoid obvious cold spots so that condensation does not occur.



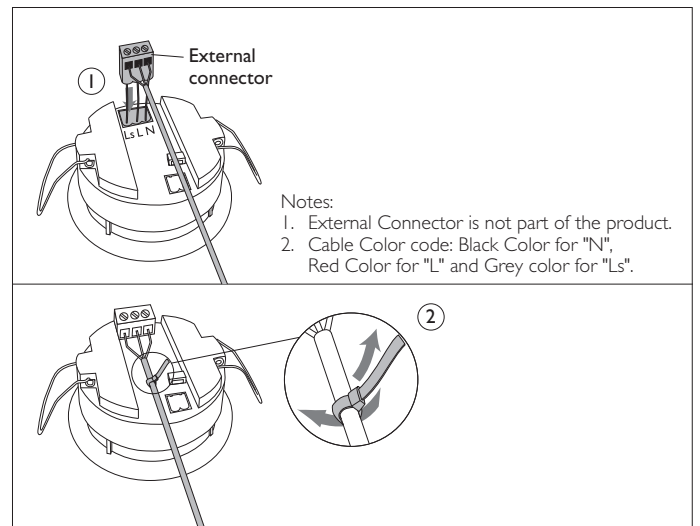
Fixing the Occuswitch in a ceiling (recessed)

Electrical installation

The Occuswitch can be installed with the conventional wiring as shown in the diagram.



Installation (conventional wiring)



Daylight control

Daylight override

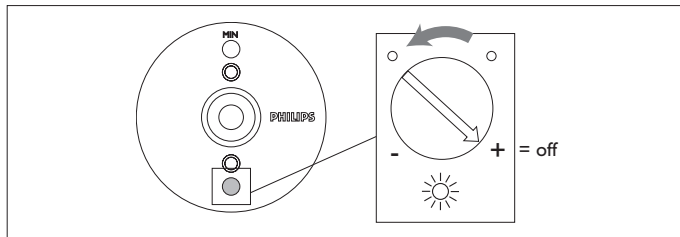
The daylight override function prevents the lights from switching on when sufficient daylight is available. To enable this function it is necessary to set the required light level by changing the dial from the OFF position. To disable this function, turn the dial left into the OFF position.

Warnings



The Occuswitch should not be used in the following situations:

- In applications outside the specification range, most notable heights above 3.5 meter.
- Environmental conditions other than in a normal office environment (temperature, humidity).
- In applications with heat sources like electrical heaters, within the detection range of the Occuswitch.
- In combination with lighting sources, or other devices, that can be damaged if they are switched off and on in a short period of time.



Technical data

Environmental conditions

Storage conditions
 Temperature -20 to +70°C
 Relative humidity 20% to 90%; no condensation

Operating conditions
 Temperature +5 to +50°C
 Relative humidity 20% to 90%; no condensation

Mains connection
 Voltage 230VAC +/-10%; 50/60Hz
 Maximum load 6 A. (1380 VA) any load.
 Maximum wire range 1.5 to 2.5mm²
 Mains distribution system TN-S, 16A max, with Neutral grounded

Power consumption
 Stand-by 1.2 W
 Max. 1.2 W

Maximum wire range 1.5 to 2.5mm²
 Maximum length 100m
 LED indicators Red LED on movement
 Switch off delay 1 to 30 minutes
 Light levels 250 to 1000 Lux (30% reflection)
 Detection range see diagram

Standards EN/IEC 60669-2-1 Electronic switches
 Classification Class I
 Pollution degree 2
 Over voltage category III
 Approbation Applied for CE
 Protection Class IP20
 Flammability UL94 V-0
 Glow wire test 960°C/5s
 Insulation Double insulation (4kV) between Mains and SELV
 EMC
 Compliance IEC (EN) 60669-2-1
 Immunity IEC (EN) 61547
 Emission IEC (EN) 55015 and IEC (EN) 55022, class B
 Weight 0.2 Kg

Packing data

Type	Box dimensions (mm)	Qty	Material	Weight (Kg)	
				net	gross
LRM1071 Unit box	105 x 95 x 58	1	cardboard	0.12	0.15
LRM1071 Outer box	400 x 300 x 300	42	cardboard	5	5.6

Ordering Data

Type	Ordering QTY	Ordering number
LRM1071/00 Occuswitch	In Multiples of Outer Box	4415 389 00004

3222 636 33280
 11/2012
 Data subject to change
www.philips.com/lightingcontrols

