

Full Glow - G4

Sisesh Behuray & Nitin Bahl
Date : Jan 2018

Contents

- Product Specifications
- Product Applications
- Product Designation
- Product Ordering Data
- Installation Instructions

Full Glow - High on Efficacy

Maximize savings with comfort



We target customers looking for.....

Surface of light with performance like never before , high on energy efficiency & fits the Budget .



Technical specifier

“My challenge is to translate the architects’ concept and the user requirements into a working solution within the **building and budgetary reality**.

I am passionate about the technical performance of the system - and want to get the most out of the design, including the required light levels for **the least energy rating**. Proven solutions are preferred because they will keep the customers happy with a reliable system.”

“ I'm looking for recessed luminaires that have a flat **surface of light** simply gels in the modular ceiling , is energy efficient and is able to provide smooth glare free light for my office. It should also fit my Budget and give me a payback of less than 1.5 Years.

Lighting the path to productivity

Ambiance: Visual appeal is one way that lighting improves workplace effectiveness. More attractive facilities will be used more effectively for longer periods of time. Bright, inviting general lighting can highlight reception areas and elevator banks, and make public areas appear relaxed and welcoming.



Sustainability: Many corporations see a greener future ahead because sustainability means improving competitiveness. The U.S. Green Building Council's LEED Building Rating System has shown that top companies do well by doing good, too, with green buildings that deliver better bottom-line performance. With that in mind, choosing high-performance, green lighting solutions shows that your organization takes its role as an environmental steward seriously. Earning respect from employees and customers could translate into better financial performance.

Well-being: Applied correctly, lighting motivates people and helps them accomplish goals. Adaptable lighting can help improve occupant comfort, boost their energy, and increase workflow efficiencies. Too much light—or too little—can intensify worker fatigue. Flexible lighting can motivate employees by accommodating varying work styles and business demands. When occupants are in control of their environments, they are more at ease and more able to positively affect their productivity.

Full Glow :Efficient , Maintenance free , Glare free , Long Life , Easy To Experience.



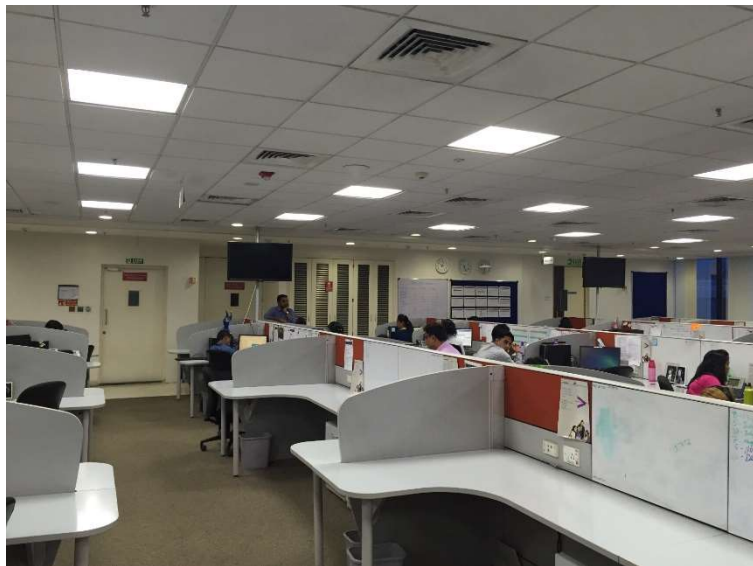
Performance : A perfect blend of the latest LED technology and efficient optics ensures perfectly uniform illumination.

Long-life: Controlled Design/ manufacturing ensures quality and use of long-life materials ensure Robust Product.

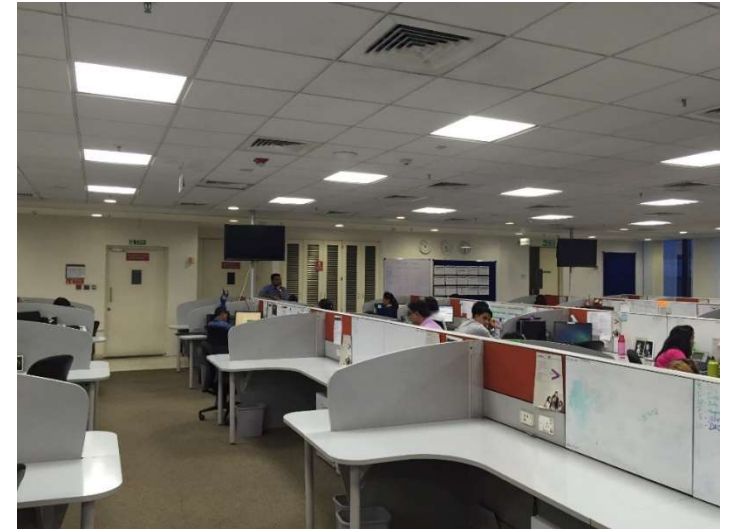
Simple and quick: Easy to Install without any specialized tools.

Fit and Forget : A long service life and almost complete freedom from maintenance significantly reduce operating costs.

Lower OPEX



Full Glow – The Surface of Light



Features and Benefits

- Energy Efficient – High Efficacy of 110-125 Lm /W
- Comfortable Light – CRI of 80 to ensure better color rendering
- Lifetime : 50,000 Hrs., Reliable performance
- Optimal Lighting Effects : New light platform and optical design for glare free environment
- Lighting solution with high uniformity provides comfort in office lighting experience
- Multiple Lumen Packs : For different office applications and mounting heights

PHILIPS

Spec Sheet

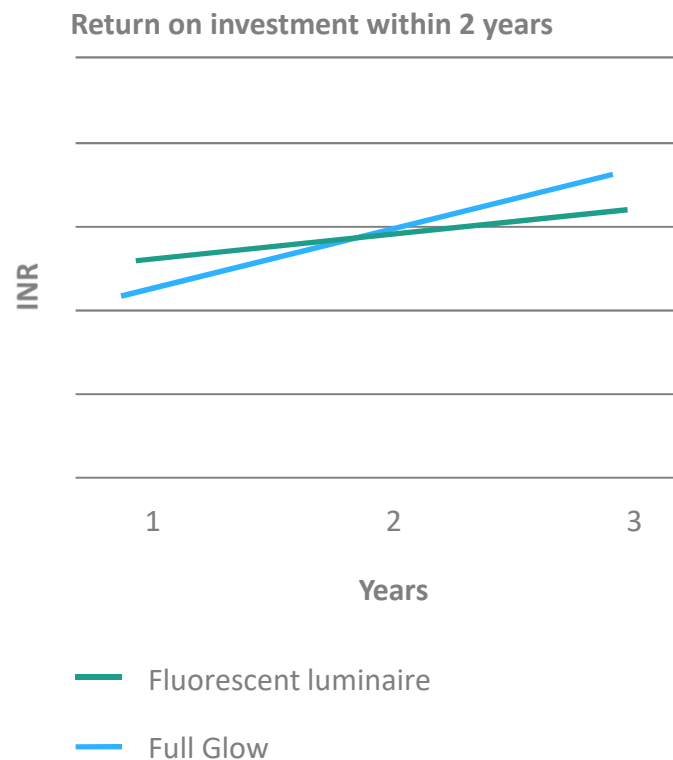
S No.	Description	RC380B G4
1	System Lumen	2500Lm@20W , 3000Lm@25W , 3600Lm@ 31W , 4200 Lm@ 38W
2	CCT	6500K / 4000K
3	CRI	> 80
4	SDCM	<5
5	Efficacy	LED 25S : 125 Lm/W , LED 30S : 120Lm /W LED 36S : 115lm/W , LED 42S : 110 Lm /W
6	Operating Temp	Ambient : 45 Degrees
7	IP rating/ IK	20/ 02
8	Diffuser	PS
9	Dimensions	597 × 597x 70 mm
10	Life	L70B50@ 50K Hrs.
11	Driver	Fixed output / DALI
12	LED	APT
13	Housing	CRCA
14	Look and Feel	Fully Diffused Luminaire
15	Serviceability	Class B

Low Total Cost of Ownership

Across a long lifetime of reliable operation



- Good balance between initial cost and return on investment
- Payback within 1.5 years
- Outstanding Back-lit solution efficacy (up to 125 lm/W)
- Ease of installation and maintenance saves time and money



Your office, your way

Whatever your ceiling height , the varied lumen packs , can have optimal design for your office application – expert Philips engineers can design the optimum settings for typical offices.

You can design :

Open-plan offices



Private offices



Meeting rooms



Focus on general illumination applications

- Office
 - Open plan
 - Cell office
 - Meeting room
- Retail
- Healthcare
- Hospitality



Application **insights**

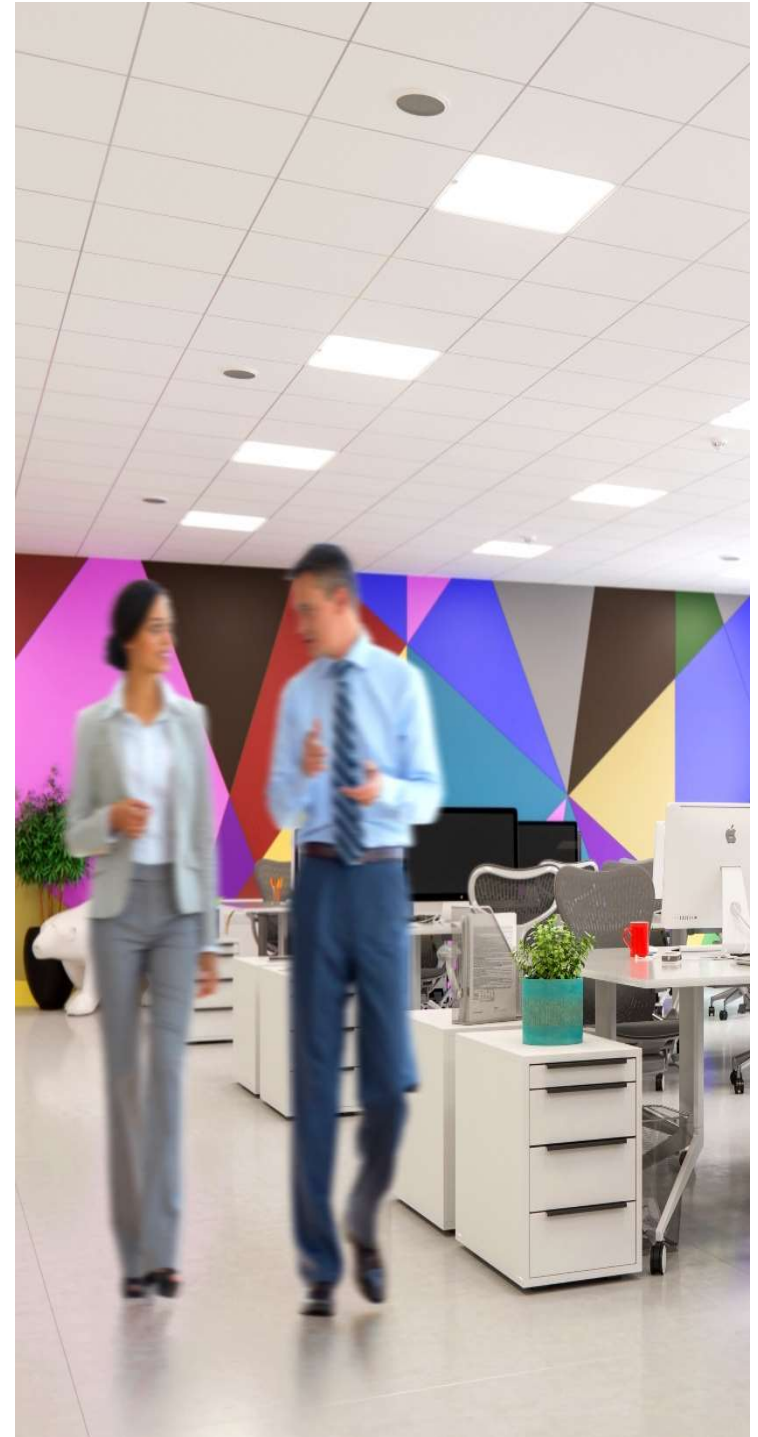
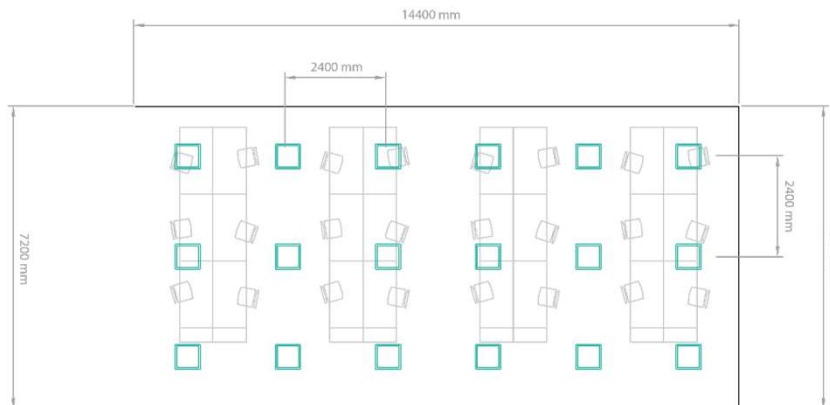


Open office

Use: Mainly for individual work; occasional chats with co-workers

Lighting design: Regular grid of recessed luminaires (square or rectangular) with a comfortable and soft appearance

Result: Employees can focus on their work without distractions or disturbances from the environment



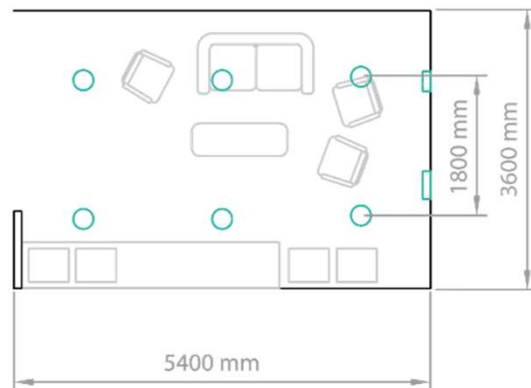
Breakout areas

Use: An area for relaxation and inspiration

Lighting design:

- Recessed array of higher lumen pack version based on the application needs
- Luminaires completely flushed with the ceiling

Result: Greater contrast and more highlights create a different ambiance and a change of scene for office workers



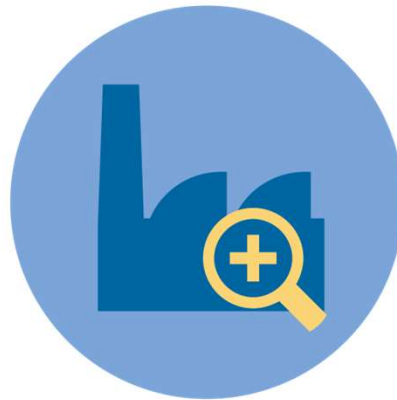
Control at your fingertips

Increase efficiency while costs fall



Savings

25% less installation costs and 50% less commissioning costs



Multiple Lumen Packs

Due to granular insight of actual office applications , e.g. suitable for 2x2 , 3x3 , 4x4 grid spacing .



Integrated control

Available with DALI , POE , C4M

Full Glow

L70B50 , 50K Hrs.



Fits in Budget



Reliable



Environment
Friendly



120 Lumen/Watt



Easy to Install

Flat Surface of Light



Open office

The bulk of our offices still consist of open plan offices where employees have fixed or flexible desks. Used mainly for individual work with the occasional chat with co-workers, this space demands a lighting design that focuses on getting the job done. As such a regular grid of recessed luminaires (either square or rectangular) with a comfortable and soft appearance helps with creating an environment where employees can truly focus on the work and the environment itself does not distract or disturb but instead 'disappears' into the background.



High quality, energy efficient lighting that reduces your energy bill



Low Total Cost of Ownership and return on investment



Suitable for higher ceilings that optimize space and ventilation



Helps declutter the ceiling and create a more attractive environment



a **30%**
reduction in energy use

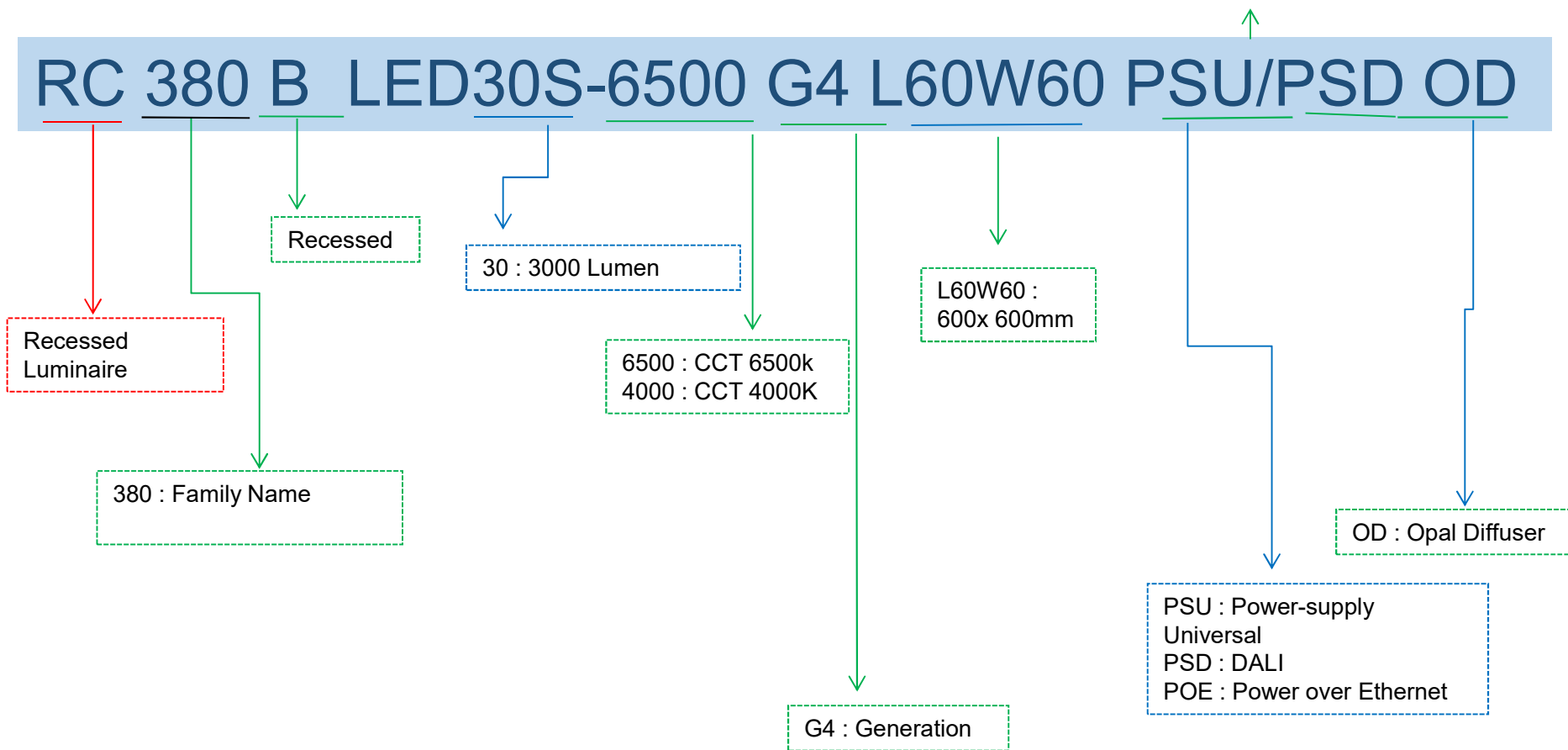
is equivalent to an increase in net operating income and building asset value of 5 percent.¹

1) EnergyStar, "Architects: Energy Efficiency Strategies for Commercial Building Design", Nov. 25, 2008.
<http://www.energystar.gov/a/business/challenge/team_mom/Architects.pdf>





How to read the Cat ref

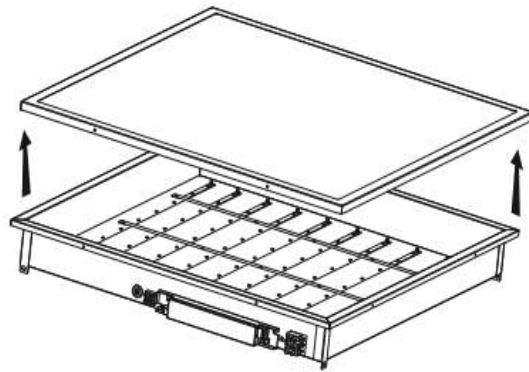


Ordering Codes

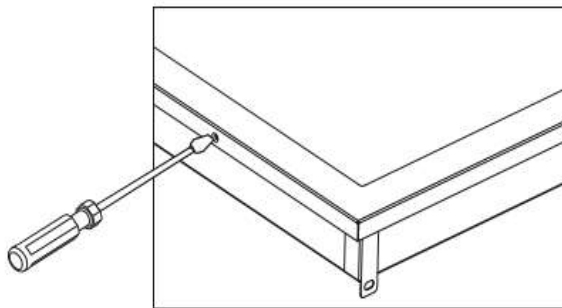
S No.	12 NC	Description	Qty Per Box	Spare Driver 12 NC
1	919515812141	RC380B LED30S -6500 G4 L60 W60 PSU OD	2	441539003813
2	919515812142	RC380B LED30S -4000 G4 L60 W60 PSU OD	2	441539003813
3	919515812143	RC380B LED36S -6500 G4 L60 W60 PSU OD	2	441539003813
4	919515812144	RC380B LED36S -4000 G4 L60 W60 PSU OD	2	441539003813
5	919515812383	RC380B LED25S -6500 G4 L60 W60 PSU OD	2	441539003813
6	919515812384	RC380B LED25S -4000 G4 L60 W60 PSU OD	2	441539003813
7	919515812385	RC380B LED42S -6500 G4 L60 W60 PSU OD	2	441539003813
8	919515812386	RC380B LED42S -4000 G4 L60 W60 PSU OD	2	441539003813
9	919515812402	RC380B LED25S-6500 G4 L60 W60 PSD OD	2	929000852103
10	919515812403	RC380B LED25S-4000 G4 L60 W60 PSD OD	2	929000852103
11	919515812404	RC380B LED42S-6500 G4 L60 W60 PSD OD	2	929000852103
12	919515812405	RC380B LED42S-4000 G4 L60 W60 PSD OD	2	929000852103
13	919515812145	RC380B LED30S-6500 G4 L60 W60 PSD OD	2	929000852103
14	919515812146	RC380B LED30S-4000 G4 L60 W60 PSD OD	2	929000852103
15	919515812147	RC380B LED36S-6500 G4 L60 W60 PSD OD	2	929000852103
16	919515812148	RC380B LED36S-4000 G4 L60 W60 PSD OD	2	929000852103

MI Sheet

Only for any servicing work
Diffuser frame can be opened (but not recommended)



Remove 4 nos. screws from Diffuser Frame
to open the Fitting for access.



Unscrew to open
Diffuser Frame

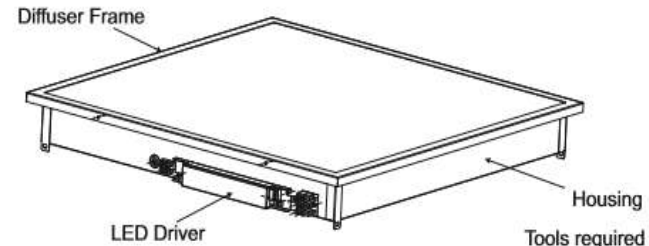
Installation Instructions

PHILIPS

FULL GLOW G4
Recessed

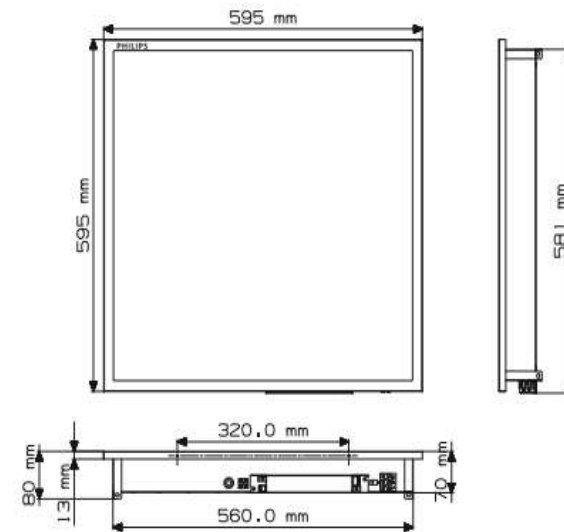


 **THIS LUMINAIRE MUST BE EARTHED**



Tools required for installation :
1-Screw Driver

Product Dimensions

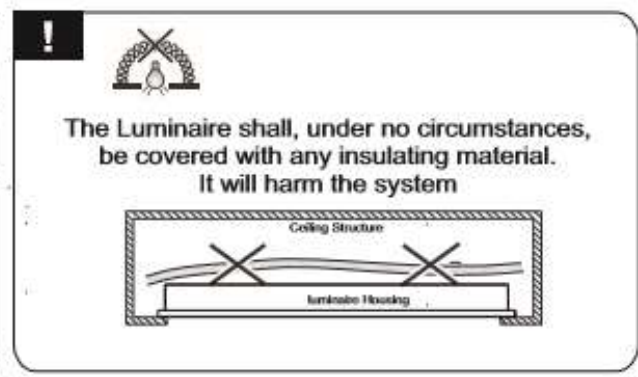
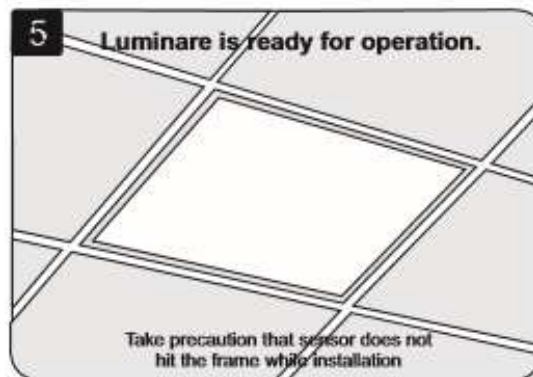
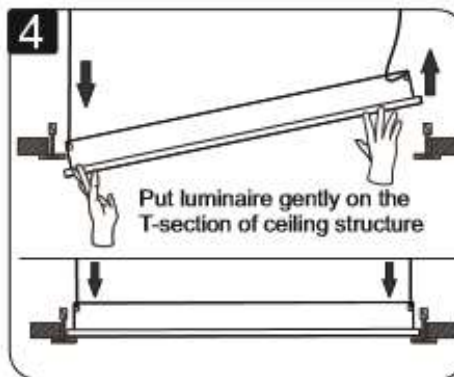
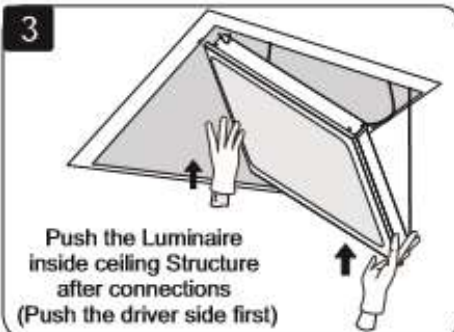
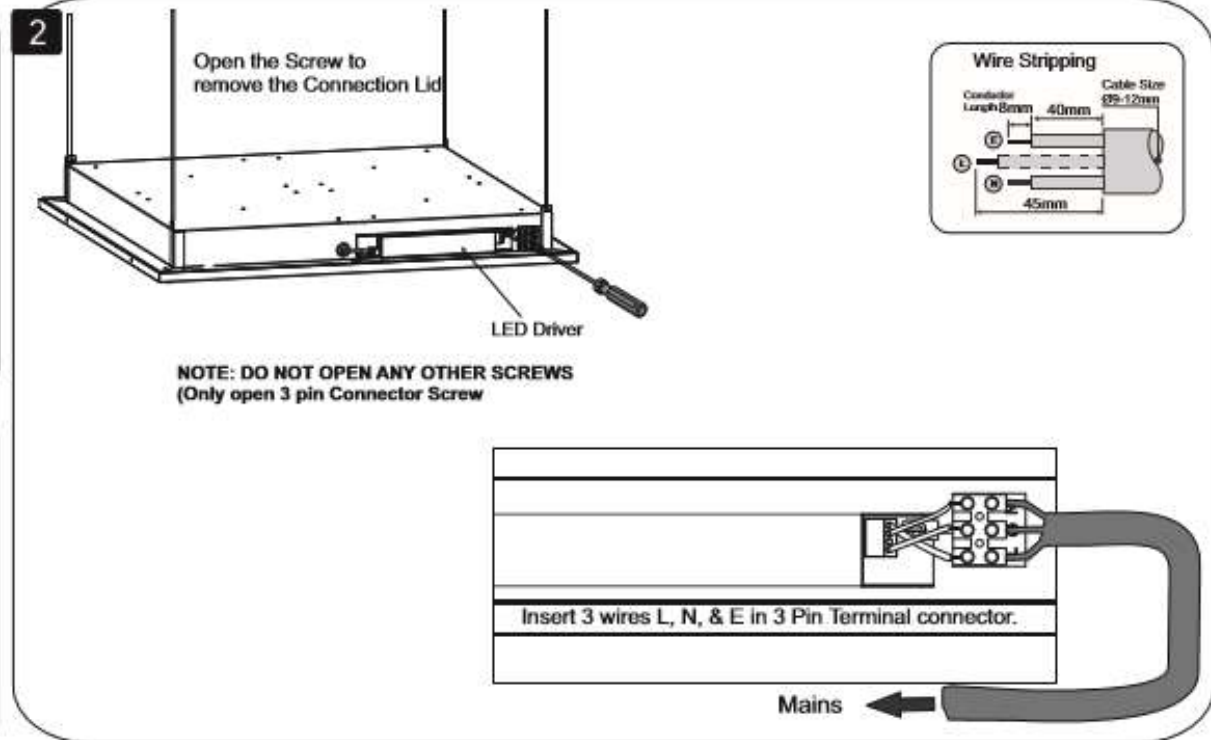
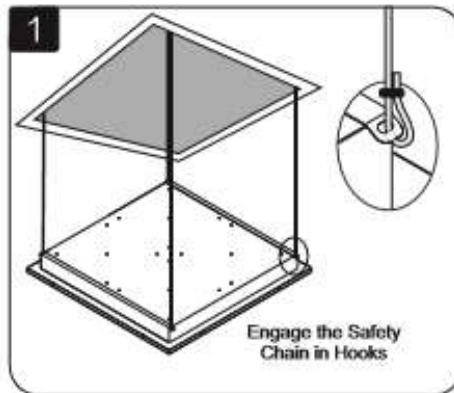


4415 109 20010

! ATTENTION: Install in accordance with national and local building and electrical codes.

PHILIPS

MI Sheet



How can we

help you?

Support

from start to finish



Advisory services

Clear insight into your current lighting system, how it can be improved, and the benefits you would gain



Lifecycle services

Variety of project after-care contracts that cover all aspects necessary to guarantee long-lasting, hassle-free performance



Project services

Design, control and coordination activities necessary to take a lighting solution from the drawing board into reality



Lighting capital

This enables you to acquire a state-of-the-art, business enhancing solution immediately – with little to no upfront capital investment required

Why choose Philips?

A lighting service that fits your business needs

We listen to and understand your needs:



Global presence
and local experience
delivering multi-tiered
support



One-stop shop:
solutions and services
across the lighting
value chain



World-class innovation
capabilities and deep
application and system
expertise



Proven record of
quality and reliability –
no unpleasant surprises

