

SIEMENS		Data Sheet : Induction Motor Champion Series Motor Type : 1LA2 073-2NC71				
Number of Phases		3				
Rated Output	kW	0.55				
Rated Voltage	V	415				
Rated Current	A	1.2		Reference Standard	IS:12615	
Rated Speed	rev/min	2811		Enclosure IS:4691	IP55	
Rated Frequency	Hz	50		Cooling IS:6362	IC411	
Rated Torque	0.19 kgf.m / 1.9 Nm		Duty		S1	
Efficiency :	100% load %	78.1		Terminal Box Data	Type	1XB0 096
	75% load %	78.1			Terminal Size	M4
	50% load %	76.1			No. of Terminals	6
Power Factor :	100% load %	0.82		Bearing Data	Max. Cable Section	mm ² 1R 3½C 6mm ²
	75% load %	0.75			Drive End	6202ZZ
	50% load %	0.62			Non-Drive End	6202ZZ
Insulation Class		F		Lubrication	Pre-Lubricated	
Temperature rise (Res.method) K		70			Life L10 hrs. #	50,000
Locked rotor withstand time	Hot (s)	4		Lifting eyebolt IS:4190		-
	Cold (s)	10		Motor weight (approx.)		kg 9
Stator connection		STAR		Rotor	GD ² (4x MI)	kgf.m ² 0.0014
Rotor Class		KL10			Weight	kg 3.6
Ratio of starting current to the rated current				Construction IS:2253		IMB5
Ratio of starting torque to the rated torque	100% voltage	6.0		Frame designation		71
	80% voltage	4.5				
	100% voltage	2.3		Ambient Temperature °C		50
Ratio of Breakdown torque to the rated torque	80% voltage	1.3		Voltage Variation %		± 10
	100% voltage	2.6		Frequency variation %		± 5
Ratio of Breakdown torque to the rated torque	80% voltage	1.5		Combined Voltage & Frequency variation %		10
	100% voltage	2.6		# For directly coupled drives		
Data subject to tolerance as per IS:12615.						
Remarks : Unique Identification Code: UIC-7333920 <--- This code must match with the one on Characteristic Curves Sheet.						
No 'IE' marking on nameplate as rating is not covered in IS:12615.						
KALWA, INDIA Department : I DT LD P LV-Motors		Reference Document MTR 2.6-182		Printed & Checked : Date : 18.12.2012		Release Date Aug '2011

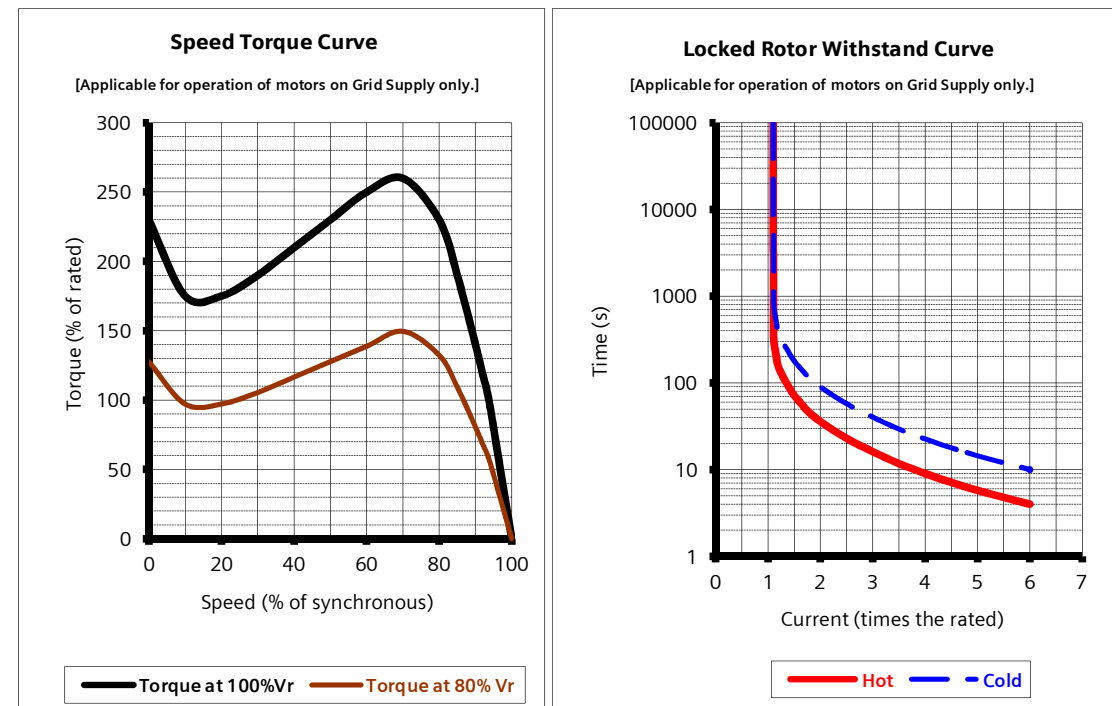
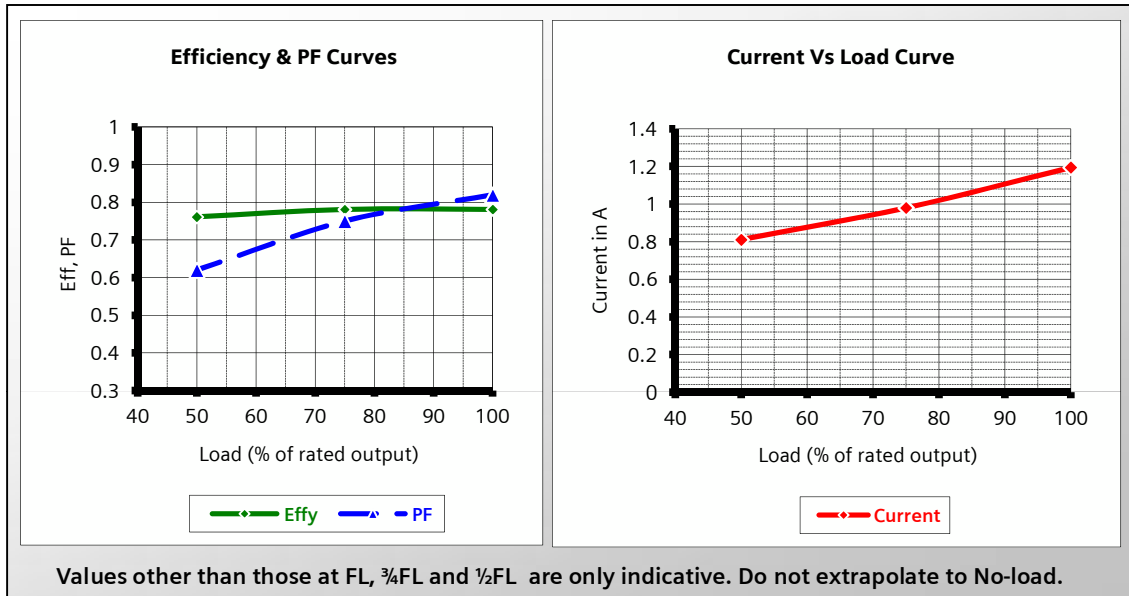
Unique Identification Code: UIC-7333920 <-- This code must match with the one on the Data Sheet.

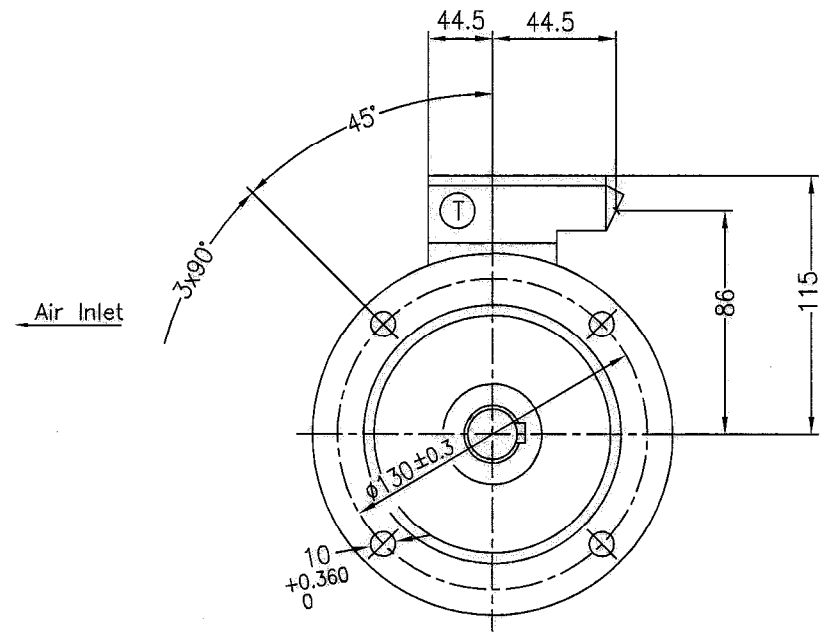
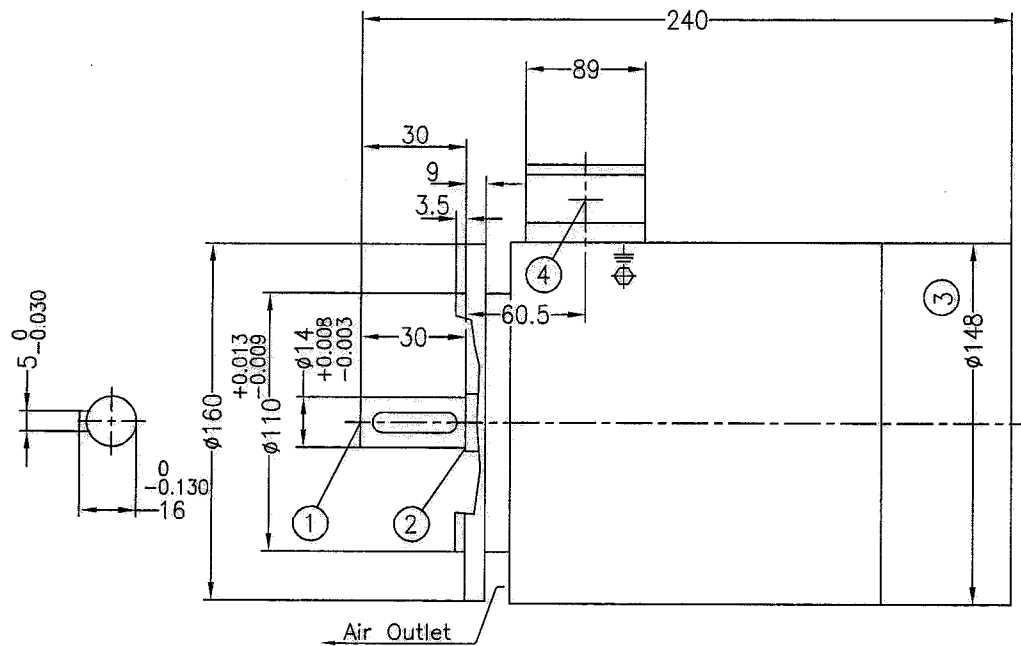
Motor Type : 1LA2 073-2NC71 Voltage : 415VY Rated Speed : 2811 rev/min
 Output : 0.55 kW Frequency : 50Hz Rated Torque : 0.19 kgf.m / 1.9 Nm
 Rated Current: 1.2A

% Load	FL	¾FL	½FL
Efficiency	78.1%	78.1%	76.1%
Power Factor	0.82	0.75	0.62

Locked Rtr Curr	6 x Rated
LRWT HOT	4 s
LRWT COLD	10 s

DATA SUBJECT TO TOLERANCE AS PER IS : 12615.





- ① Shaft extension $\phi 14j_6 \times 30$ with protected centre hole M5x12
- ② Relief groove E1x0.2 as per IS:3428
- ③ Measured over bolt heads
- ④ 1 No. B.S. Conduit Entry 19 (0.75") - IS:1653

Ⓣ Terminal Box Type : 1XB0 096
suitable for max. cable conductor cross-section(mm²): 6.0

F130B (Frame 71)			IM-B5/V1	
Flange Designation			Applicable for Construction	
Drawn	Date	Name	Dimensional Diagram	Scale
Checked				NTS
Std. CHD.				
Dim. without tolerance as per very coarse IS:2102			DRG No. 4D-2707-04-0242294-101	
SIEMENS LTD MOTORS			REF DRG NO.	