

SENTRON, Switch disconnecter 3LD, emergency switching-off switch, 3- pole, Iu: 16 A, operating power / at AC-23 A 400 V: 7.5 kW, Molded plastic encapsulation for metric cable gland, rotary operating mechanism, red/yellow



Model	
Product brand name	SENTRON
Product designation	3LD Switch disconnecter
Design of the product	EMERGENCY-STOP switch
Display version / for switch position indicator manual operation	1 ON - 0 OFF
Design of the operating mechanism	Short rotary knob
Design of handle	rotary operating mechanism, red/yellow
Type of the driving mechanism / motor drive	No

General technical data	
Number of poles	3
Number of poles / Note	N + PE
Type of device	fixed mounting
Type of switch	Molded-plastic enclosure for metric threaded joint
Size of switch disconnecter	1
Operating frequency / maximum	50 1/h

Voltage	
Insulation voltage / rated value	690 V

Surge voltage resistance / rated value	6 kV
<b>Protection class</b>	
Protection class IP	IP65
Protection class IP / on the front	IP65
<b>Dissipation</b>	
Power loss [W] / for rated value of the current / at AC / in hot operating state / per pole	0.5 W
<b>Electricity</b>	
Current / at AC / rated value	16 A
Continuous current / rated value	16 A
Short-time current resistance (I <sub>cw</sub> ) / at 690 V / limited to 1 s / rated value	340 A
<b>Main circuit</b>	
Operating frequency	
• initial value	50 Hz
• Full-scale value	60 Hz
Operating power	
• at AC-23 A / at 400 V / rated value	7.5 kW
• at AC-23 A / at 690 V / rated value	7.5 kW
• at AC-3 / at 400 V / rated value	5.5 kW
• at AC-3 / at 690 V / rated value	5.5 kW
Operating voltage	
• at AC / at 50/60 Hz / rated value	690 V
<b>Auxiliary circuit</b>	
Number of CO contacts / for auxiliary contacts	0
Number of NC contacts / for auxiliary contacts	0
Number of NO contacts / for auxiliary contacts	0
Operating voltage / of auxiliary contacts / at AC / maximum	500 V
Continuous current / of the auxiliary contact / rated value	10 A
Insulation voltage / of the auxiliary switch / rated value	500 V
<b>Suitability</b>	
<b>Suitability for use</b>	
• Main switch	Yes
• switch disconnector	Yes
• EMERGENCY OFF switch	Yes
• safety switch	Yes
• maintenance/repair switch	Yes

Product details	
Product feature / interlock	Yes
Product extension / optional	
<ul style="list-style-type: none"> <li>• motor drive</li> </ul>	No
<ul style="list-style-type: none"> <li>• Voltage trigger</li> </ul>	No
Connections	
<b>Type of connectable conductor cross-sections</b>	
<ul style="list-style-type: none"> <li>• for copper conductor / solid</li> </ul>	1x (16mm <sup>2</sup> )
<ul style="list-style-type: none"> <li>• for copper conductor / finely stranded / with core end processing</li> </ul>	1x (14mm <sup>2</sup> )
<ul style="list-style-type: none"> <li>• for copper conductor / stranded</li> </ul>	1x (16mm <sup>2</sup> )
<ul style="list-style-type: none"> <li>• for auxiliary contacts / solid</li> </ul>	2x (0.75 ... 2.5 mm <sup>2</sup> ), 1x 4 mm <sup>2</sup>
<ul style="list-style-type: none"> <li>• for auxiliary contacts / finely stranded / with core end processing</li> </ul>	2x (0.75 ... 1.5 mm <sup>2</sup> ), 1x 2.5 mm <sup>2</sup>
<ul style="list-style-type: none"> <li>• for auxiliary contacts / stranded</li> </ul>	2x (0.75 ... 2.5 mm <sup>2</sup> ), 1x 4 mm <sup>2</sup>
<b>Type of electrical connection</b>	
<ul style="list-style-type: none"> <li>• for main current circuit</li> </ul>	Box terminal
<ul style="list-style-type: none"> <li>• for auxiliary contacts</li> </ul>	connection terminals
Requirements	
Design of the fuse link	
<ul style="list-style-type: none"> <li>• for short-circuit protection of the main circuit / required</li> </ul>	fuse gL/gG: 20 A
<ul style="list-style-type: none"> <li>• for short-circuit protection of the auxiliary switch / required</li> </ul>	fuse gL/gG: 10 A
Mechanical Design	
Height	152 mm
Width	100 mm
Depth	117 mm
Mounting type	Complete unit in enclosure
Mounting type	
<ul style="list-style-type: none"> <li>• front mounting with 4-hole attachment</li> </ul>	No
<ul style="list-style-type: none"> <li>• front mounting with central attachment</li> </ul>	Yes
<ul style="list-style-type: none"> <li>• rail mounting</li> </ul>	No
Net weight	465 g
Environmental conditions	
Ambient temperature	
<ul style="list-style-type: none"> <li>• during operation / minimum</li> </ul>	-25 °C
<ul style="list-style-type: none"> <li>• during operation / maximum</li> </ul>	55 °C
Certificates	
Reference code	
<ul style="list-style-type: none"> <li>• acc. to DIN EN 61346-2</li> </ul>	S

<b>General Product Approval</b>	<b>Declaration of Conformity</b>
---------------------------------	----------------------------------



[Miscellaneous](#)



<b>Test Certificates</b>	<b>Shipping Approval</b>	<b>other</b>
--------------------------	--------------------------	--------------

[Special Test Certificate](#)



LRS

[Environmental Confirmations](#)

### Further information

**Information- and Downloadcenter (Catalogs, Brochures,...)**

<http://www.siemens.com/lowvoltage/catalogs>

**Industry Mall (Online ordering system)**

<https://mall.industry.siemens.com/mall/en/en/Catalog/product?mlfb=3LD2064-0TB53>

**Service&Support (Manuals, Certificates, Characteristics, FAQs,...)**

<https://support.industry.siemens.com/cs/ww/en/ps/3LD2064-0TB53>

**Image database (product images, 2D dimension drawings, 3D models, device circuit diagrams, ...)**

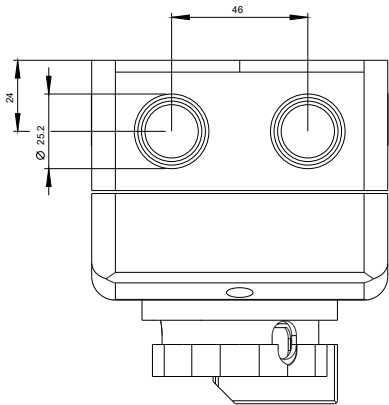
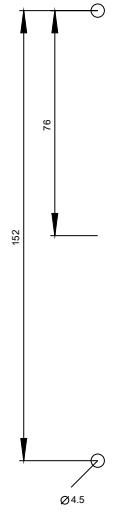
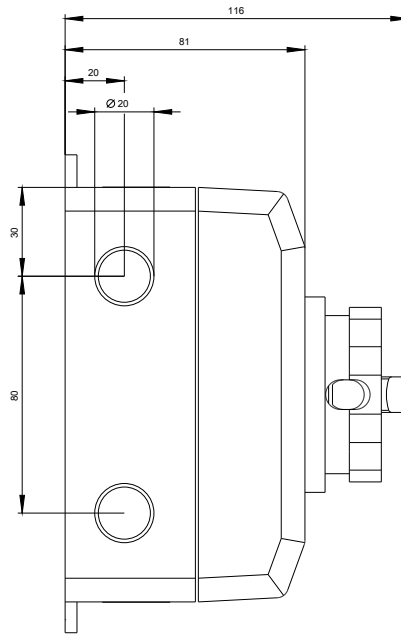
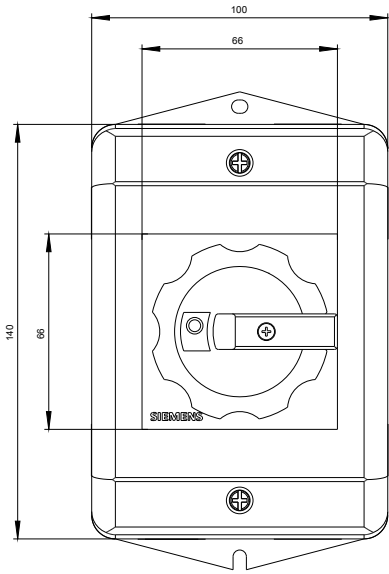
[http://www.automation.siemens.com/bilddb/cax\\_en.aspx?mlfb=3LD2064-0TB53](http://www.automation.siemens.com/bilddb/cax_en.aspx?mlfb=3LD2064-0TB53)

**CAX-Online-Generator**

<http://www.siemens.com/cax>

**Tender specifications**

<http://www.siemens.com/specifications>



**-Q1**



# -CI

