

SETRON, Switch disconnecter 3LD, emergency switching-off switch, 3- pole, Iu: 100 A, operating power / at AC-23 A 400 V: 37 kW, Molded plastic encapsulation for metric cable gland, rotary operating mechanism, red/yellow



Model	
Product brand name	SETRON
Product designation	3LD Switch disconnecter
Design of the product	EMERGENCY-STOP switch
Display version / for switch position indicator manual operation	1 ON - 0 OFF
Design of the operating mechanism	Short rotary knob
Design of handle	rotary operating mechanism, red/yellow
Type of the driving mechanism / motor drive	No

General technical data	
Number of poles	3
Number of poles / Note	N + PE
Type of device	fixed mounting
Type of switch	Molded-plastic enclosure for metric threaded joint
Size of switch disconnecter	4
Operating frequency / maximum	50 1/h

Voltage	
Insulation voltage / rated value	690 V

Surge voltage resistance / rated value	6 kV
<b>Protection class</b>	
Protection class IP	IP65
Protection class IP / on the front	IP65
<b>Dissipation</b>	
Power loss [W] / for rated value of the current / at AC / in hot operating state / per pole	7.5 W
<b>Electricity</b>	
Current / at AC / rated value	100 A
Continuous current / rated value	100 A
Short-time current resistance (I <sub>cw</sub> ) / at 690 V / limited to 1 s / rated value	2 000 A
<b>Main circuit</b>	
Operating frequency	
• initial value	50 Hz
• Full-scale value	60 Hz
Operating power	
• at AC-23 A / at 400 V / rated value	37 kW
• at AC-23 A / at 690 V / rated value	30 kW
• at AC-3 / at 400 V / rated value	30 kW
• at AC-3 / at 690 V / rated value	22 kW
Operating voltage	
• at AC / at 50/60 Hz / rated value	690 V
<b>Auxiliary circuit</b>	
Number of CO contacts / for auxiliary contacts	0
Number of NC contacts / for auxiliary contacts	0
Number of NO contacts / for auxiliary contacts	0
Operating voltage / of auxiliary contacts / at AC / maximum	500 V
Continuous current / of the auxiliary contact / rated value	10 A
Insulation voltage / of the auxiliary switch / rated value	500 V
<b>Suitability</b>	
<b>Suitability for use</b>	
• Main switch	Yes
• switch disconnector	Yes
• EMERGENCY OFF switch	Yes
• safety switch	Yes
• maintenance/repair switch	Yes

## Product details

Product feature / interlock	Yes
Product extension / optional	
• motor drive	No
• Voltage trigger	No

## Connections

### Type of connectable conductor cross-sections

• for copper conductor / solid	1x (450mm <sup>2</sup> )
• for copper conductor / finely stranded / with core end processing	1x (435mm <sup>2</sup> )
• for copper conductor / stranded	1x (450mm <sup>2</sup> )
• for auxiliary contacts / solid	2x (0.75 ... 2.5 mm <sup>2</sup> ), 1x 4 mm <sup>2</sup>
• for auxiliary contacts / finely stranded / with core end processing	2x (0.75 ... 1.5 mm <sup>2</sup> ), 1x 2.5 mm <sup>2</sup>
• for auxiliary contacts / stranded	2x (0.75 ... 2.5 mm <sup>2</sup> ), 1x 4 mm <sup>2</sup>

### Type of electrical connection

• for main current circuit	Box terminal
• for auxiliary contacts	connection terminals

## Requirements

Design of the fuse link	
• for short-circuit protection of the main circuit / required	fuse gL/gG: 100 A
• for short-circuit protection of the auxiliary switch / required	fuse gL/gG: 10 A

## Mechanical Design

Height	302 mm
Width	212 mm
Depth	181 mm
Mounting type	Complete unit in enclosure
Mounting type	
• front mounting with 4-hole attachment	No
• front mounting with central attachment	Yes
• rail mounting	No
Net weight	1 894 g

## Environmental conditions

Ambient temperature	
• during operation / minimum	-25 °C
• during operation / maximum	55 °C

## Certificates

Reference code	
• acc. to DIN EN 61346-2	S

<b>General Product Approval</b>	<b>Declaration of Conformity</b>
---------------------------------	----------------------------------



[Miscellaneous](#)



<b>Test Certificates</b>	<b>Shipping Approval</b>	<b>other</b>
--------------------------	--------------------------	--------------

[Special Test Certificate](#)



LRS

[Environmental Confirmations](#)

### Further information

**Information- and Downloadcenter (Catalogs, Brochures,...)**

<http://www.siemens.com/lowvoltage/catalogs>

**Industry Mall (Online ordering system)**

<https://mall.industry.siemens.com/mall/en/en/Catalog/product?mlfb=3LD2766-0TB53>

**Service&Support (Manuals, Certificates, Characteristics, FAQs,...)**

<https://support.industry.siemens.com/cs/ww/en/ps/3LD2766-0TB53>

**Image database (product images, 2D dimension drawings, 3D models, device circuit diagrams, ...)**

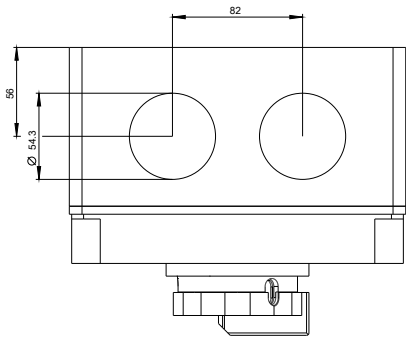
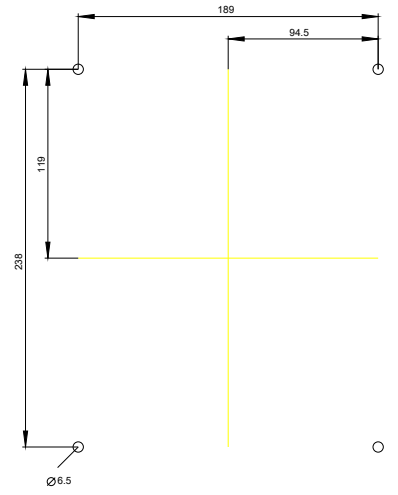
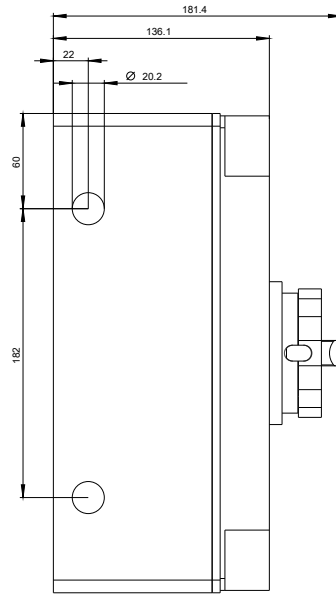
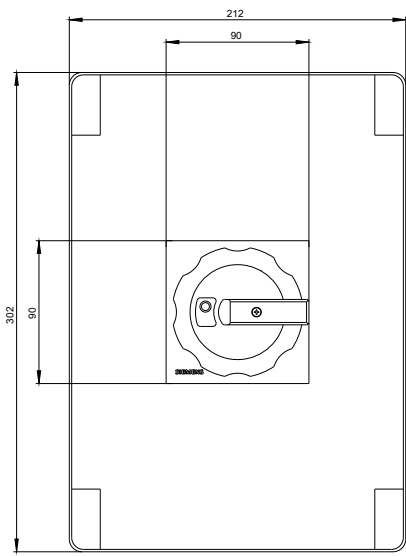
[http://www.automation.siemens.com/bilddb/cax\\_en.aspx?mlfb=3LD2766-0TB53](http://www.automation.siemens.com/bilddb/cax_en.aspx?mlfb=3LD2766-0TB53)

**CAX-Online-Generator**

<http://www.siemens.com/cax>

**Tender specifications**

<http://www.siemens.com/specifications>



**-Q1**



# -CI

