



Solid-state time-delayed auxiliary switch ON delay Relay
 1 NC + 1 NO 24...240 V AC/DC Time range 0.05...100 s
 can be snapped on at the front for contactors 3RT2 S00-
 S3 Screw terminal Varistor for attenuation of the
 contactor coils integrated

General technical data		
Product brand name		SIRIUS
Product designation		Solid-state time-delay auxiliary switch
Protection class IP of the terminal		IP20
Degree of pollution		3
Test voltage for isolation test	kV	1.5
Type of insulation		Basic insulation
Installation altitude at height above sea level maximum	m	2 000
Ambient temperature		
• during storage	°C	-40 ... +85
• during operation	°C	-25 ... +60
• during transport	°C	-40 ... +85
Relative humidity during operation	%	0 ... 95
Conducted interference due to burst acc. to IEC 61000-4-4		2 kV network connection / 1 kV control connection
Conducted interference due to conductor-earth surge acc. to IEC 61000-4-5		2 kV
Conducted interference due to conductor-conductor surge acc. to IEC 61000-4-5		1 kV

Electrostatic discharge acc. to IEC 61000-4-2		8 kV
Field-bound parasitic coupling acc. to IEC 61000-4-3		10 V/m
Surge voltage resistance rated value	kV	4
Test voltage for surge voltage test	V	4 800
Reference identifier acc. to DIN 40719 extended according to IEC 204-2 acc. to IEC 750		K
Reference identifier acc. to DIN EN 61346-2		K
Adjustable time	s	0.05 ... 100
Number of NC contacts delayed switching		1
Number of NO contacts delayed switching		1
Switching function		
• ON-delay		Yes
• passing make contact		No
• fixed clock cycle beginning with pulse		No
• fixed clock cycle beginning with interval		No
• OFF delay		No
• variably clocked start with impulse		No
• variably clocked start with interval		No
Switching function		
• with control signal		
— additive ON delay		No
— passing break contact		No
— OFF delay		No
— pulse-shaping		No
Product component semi-conductor output		No
Product extension		
• optional remote control		No
• required remote control		No
Product function		
• star-delta circuit		No
• at the relay outputs Switchover delayed/without delay		No

Control circuit/ Control

Design of the surge suppressor		with varistor
Type of voltage of the control supply voltage		AC/DC
Control supply voltage frequency 1	Hz	50 ... 60
Control supply voltage 1		
• at DC	V	24 ... 240
• at AC		
— at 50 Hz	V	24 ... 240
— at 60 Hz	V	24 ... 240

Auxiliary circuit

Operating current of auxiliary contacts		
• at AC-15 at 250 V	A	3
• at DC-13		
— at 24 V	A	1
— at 125 V	A	0.2
— at 250 V	A	0.1

Installation/ mounting/ dimensions




Mounting position		any (like contactor)
Mounting type		clip-on
Width	mm	45
Height	mm	38
Depth	mm	74
Required spacing with side-by-side mounting		
• upwards	mm	0
• downwards	mm	0
• forwards	mm	0
• Backwards	mm	0
• at the side	mm	0
Required spacing for grounded parts		
• upwards	mm	0
• downwards	mm	0
• forwards	mm	0
• Backwards	mm	0
• at the side	mm	0
Required spacing for live parts		
• upwards	mm	0
• downwards	mm	0
• forwards	mm	0
• Backwards	mm	0
• at the side	mm	0

Connections/Terminals

Type of electrical connection for auxiliary and control current circuit		screw-type terminals
Product function removable terminal for auxiliary and control circuit		Yes

Certificates/approvals

General Product Approval				Declaration of Conformity	Test Certificates
 CCC	 CSA	 UL		 EG-Konf.	Type Test Certificates/Test Report

Test Certificates	Shipping Approval				
Special Test Certificate	 ABS	 BUREAU VERITAS	 GL	 LRS	 RMRS

other	Railway
Confirmation	Vibration and Shock

UL/CSA ratings	
Contact rating of auxiliary contacts according to UL	B300 / R300

Further information

Information- and Downloadcenter (Catalogs, Brochures,...)

<http://www.siemens.com/industrial-controls/catalogs>

Industry Mall (Online ordering system)

<https://mall.industry.siemens.com/mall/en/en/Catalog/product?mlfb=3RA2813-1FW10>

Cax online generator

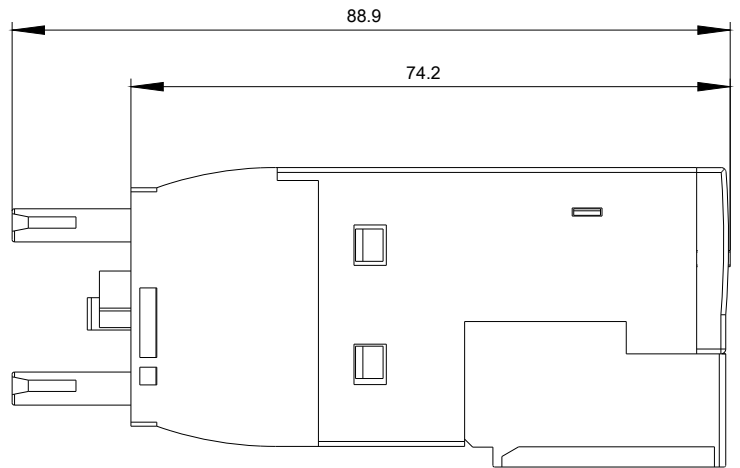
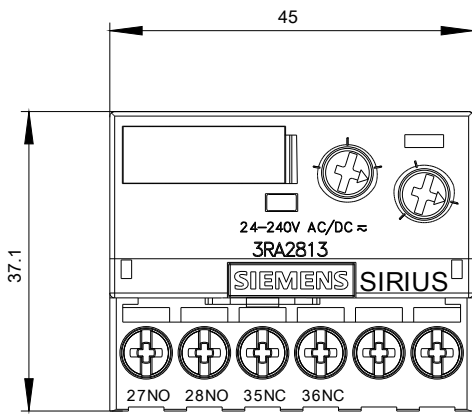
<http://support.automation.siemens.com/WW/CAXorder/default.aspx?lang=en&mlfb=3RA2813-1FW10>

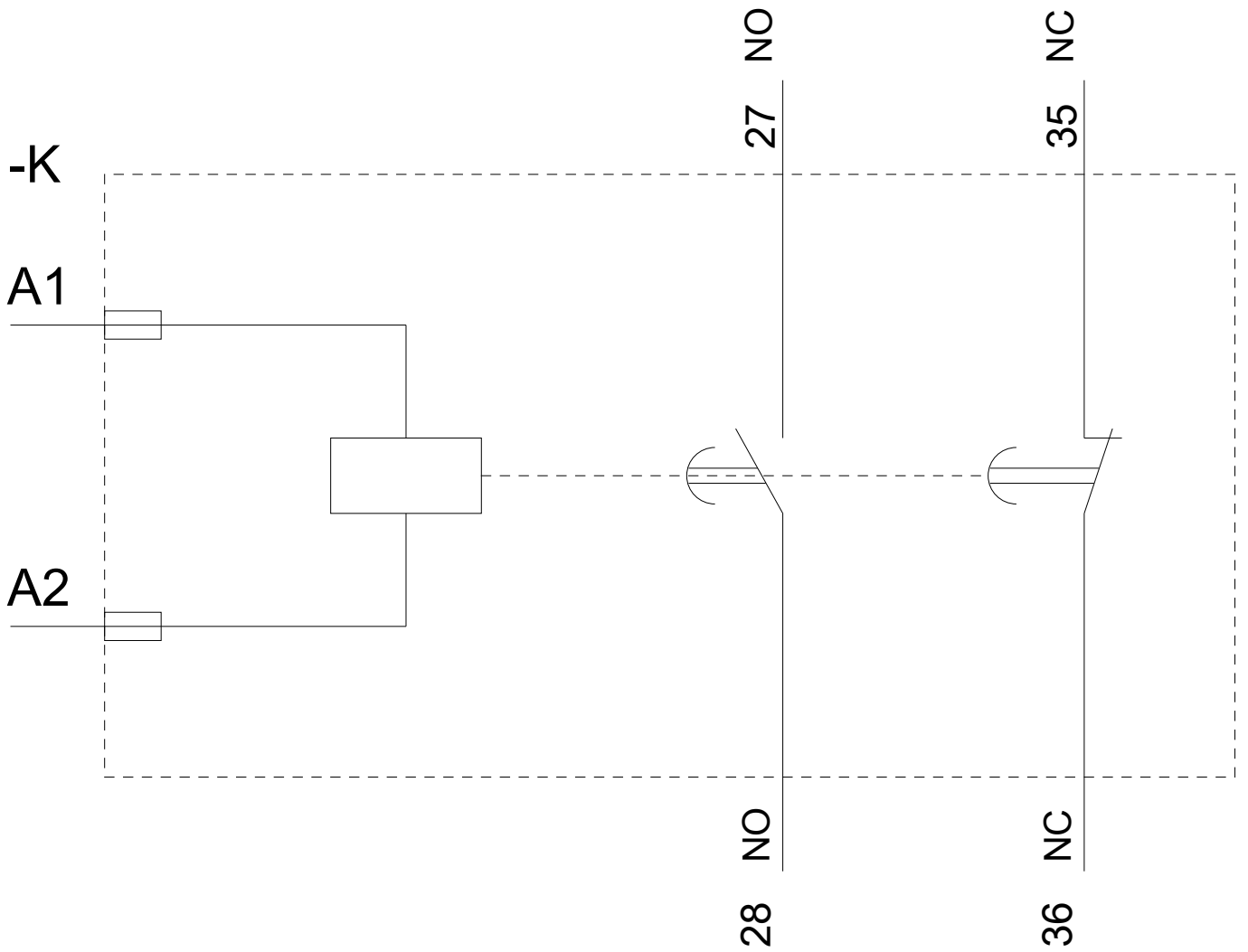
Service&Support (Manuals, Certificates, Characteristics, FAQs,...)

<https://support.industry.siemens.com/cs/ww/en/ps/3RA2813-1FW10>

Image database (product images, 2D dimension drawings, 3D models, device circuit diagrams, EPLAN macros, ...)

http://www.automation.siemens.com/bilddb/cax_de.aspx?mlfb=3RA2813-1FW10&lang=en





last modified:

07/03/2018