

Overload relay 50...200 A for motor protection Size S6, CLASS 5...30E Contactor mounting/stand-alone installation Main circuit: straight-through transformer Auxiliary circuit: Screw terminal Manual-Automatic-Reset Internal ground fault detection



Figure similar

Product brand name	SIRIUS
Product designation	solid-state overload relay
Product type designation	3RB2

General technical data	
Size of overload relay	S6
Size of contactor can be combined company-specific	S6
Insulation voltage with degree of pollution 3 rated value	1 000 V
Surge voltage resistance rated value	8 kV
maximum permissible voltage for safe isolation	
<ul style="list-style-type: none"> in networks with grounded star point between auxiliary and auxiliary circuit 	300 V
<ul style="list-style-type: none"> in networks with grounded star point between auxiliary and auxiliary circuit 	300 V
<ul style="list-style-type: none"> in networks with grounded star point between main and auxiliary circuit 	600 V
<ul style="list-style-type: none"> in networks with grounded star point between main and auxiliary circuit 	690 V

Protection class IP	
• on the front	IP20
• of the terminal	IP20
Shock resistance	15g / 11 ms
• acc. to IEC 60068-2-27	15g / 11 ms
Vibration resistance	1-6 Hz, 15 mm; 6-500 Hz, 20 m/s ² ; 10 cycles
Thermal current	200 A
Recovery time	
• after overload trip with automatic reset typical	3 min
• after overload trip with remote-reset	0 min
• after overload trip with manual reset	0 min
Type of protection	II (2) G [Ex e] [Ex d] [Ex px] II (2) D [Ex t] [Ex p]
Certificate of suitability relating to ATEX	PTB 06 ATEX 3001
Protection against electrical shock	finger-safe
Reference code acc. to DIN EN 81346-2	F

Ambient conditions

Installation altitude at height above sea level	
• maximum	2 000 m
Ambient temperature	
• during operation	-25 ... +60 °C
• during storage	-40 ... +80 °C
• during transport	-40 ... +80 °C
Temperature compensation	-25 ... +60 °C
Relative humidity during operation	10 ... 95 %

Main circuit

Number of poles for main current circuit	3
Adjustable pick-up value current of the current-dependent overload release	50 ... 200 A
Operating voltage	
• rated value	1 000 V
• for remote-reset function at DC	24 V
• at AC-3 rated value maximum	1 000 V
Operating frequency rated value	50 ... 60 Hz
Operating current rated value	200 A
Operating power	
• for three-phase motors at 400 V at 50 Hz	30 ... 90 kW
• for AC motors at 500 V at 50 Hz	30 ... 132 kW
• for AC motors at 690 V at 50 Hz	55 ... 160 kW

Auxiliary circuit

Design of the auxiliary switch	integrated
Number of NC contacts for auxiliary contacts	1

<ul style="list-style-type: none"> Note 	for contactor disconnection
Number of NO contacts for auxiliary contacts	1
<ul style="list-style-type: none"> Note 	for message "tripped"
Number of CO contacts	
<ul style="list-style-type: none"> for auxiliary contacts 	0
Operating current of auxiliary contacts at AC-15	
<ul style="list-style-type: none"> at 24 V 	4 A
<ul style="list-style-type: none"> at 110 V 	4 A
<ul style="list-style-type: none"> at 120 V 	4 A
<ul style="list-style-type: none"> at 125 V 	4 A
<ul style="list-style-type: none"> at 230 V 	3 A
Operating current of auxiliary contacts at DC-13	
<ul style="list-style-type: none"> at 24 V 	2 A
<ul style="list-style-type: none"> at 60 V 	0.55 A
<ul style="list-style-type: none"> at 110 V 	0.3 A
<ul style="list-style-type: none"> at 125 V 	0.3 A
<ul style="list-style-type: none"> at 220 V 	0.11 A

Protective and monitoring functions

Trip class	CLASS 5E, 10E, 20E and 30E adjustable
Design of the overload release	electronic
Response value current	
<ul style="list-style-type: none"> of the ground fault protection minimum 	0.75 x IMotor
Response time of the ground fault protection in settled state	1 000 ms
Operating range of the ground fault protection relating to current setting value	
<ul style="list-style-type: none"> minimum 	IMotor > lower current setting value
<ul style="list-style-type: none"> maximum 	IMotor < upper current setting value x 3.5

UL/CSA ratings

Full-load current (FLA) for three-phase AC motor	
<ul style="list-style-type: none"> at 480 V rated value 	200 A
<ul style="list-style-type: none"> at 600 V rated value 	200 A
Contact rating of auxiliary contacts according to UL	B600 / R300

Short-circuit protection

Design of the fuse link	
<ul style="list-style-type: none"> for short-circuit protection of the main circuit <ul style="list-style-type: none"> with type of coordination 1 required with type of assignment 2 required for short-circuit protection of the auxiliary switch required 	gG: 355 A, Class L: 601 A gG: 315 A fuse gG: 6 A

Installation/ mounting/ dimensions

Mounting position	any
Mounting type	direct mounting / stand-alone installation
Height	119 mm
Width	120 mm
Depth	155 mm
Required spacing	
<ul style="list-style-type: none"> • with side-by-side mounting <ul style="list-style-type: none"> — forwards 0 mm — Backwards 0 mm — upwards 0 mm — downwards 0 mm — at the side 0 mm • for grounded parts <ul style="list-style-type: none"> — forwards 0 mm — Backwards 0 mm — upwards 0 mm — at the side 6 mm — downwards 0 mm • for live parts <ul style="list-style-type: none"> — forwards 0 mm — Backwards 0 mm — upwards 0 mm — downwards 0 mm — at the side 6 mm 	

Connections/Terminals	
Product function	
<ul style="list-style-type: none"> • removable terminal for auxiliary and control circuit 	Yes
Type of electrical connection	
<ul style="list-style-type: none"> • for main current circuit • for auxiliary and control current circuit 	straight-through transformers screw-type terminals
Arrangement of electrical connectors for main current circuit	Top and bottom
Type of connectable conductor cross-sections	
<ul style="list-style-type: none"> • for auxiliary contacts <ul style="list-style-type: none"> — solid 1x (0.5 ... 4 mm²), 2x (0.5 ... 2.5 mm²) — single or multi-stranded 1x (0,5 ... 4 mm²), 2x (0,5 ... 2,5 mm²) — finely stranded with core end processing 1x (0.5 ... 2.5 mm²), 2x (0.5 ... 1.5 mm²) • at AWG conductors for auxiliary contacts 2x (20 ... 14) 	
Tightening torque	
<ul style="list-style-type: none"> • for auxiliary contacts with screw-type terminals 	0.8 ... 1.2 N·m
Design of the thread of the connection screw	

• of the auxiliary and control contacts

M3

Communication/ Protocol

Type of voltage supply via input/output link master

No

Electromagnetic compatibility

Conducted interference

- due to burst acc. to IEC 61000-4-4
- due to conductor-earth surge acc. to IEC 61000-4-5
- due to conductor-conductor surge acc. to IEC 61000-4-5
- due to high-frequency radiation acc. to IEC 61000-4-6

2 kV (power ports), 1 kV (signal ports) corresponds to degree of severity 3

2 kV (line to earth) corresponds to degree of severity 3

1 kV (line to line) corresponds to degree of severity 3

10 V in frequency range 0.15 to 80 MHz, modulation 80 % AM with 1 kHz

Field-bound parasitic coupling acc. to IEC 61000-4-3

10 V/m

Electrostatic discharge acc. to IEC 61000-4-2

6 kV contact discharge / 8 kV air discharge

Display

Display version

- for switching status

Slide switch

Certificates/approvals

General Product Approval

EMC

For use in hazardous locations



Declaration of Conformity

Test Certificates

Marine / Shipping



EG-Konf.

[Special Test Certificate](#)

[Type Test Certificates/Test Report](#)



ABS



LRS



RINA

Marine / Shipping

other



DNVGL.COM/AF

[Miscellaneous](#)

[Confirmation](#)

Further information

Information- and Downloadcenter (Catalogs, Brochures,...)

<http://www.siemens.com/industrial-controls/catalogs>

Industry Mall (Online ordering system)

<https://mall.industry.siemens.com/mall/en/en/Catalog/product?mlfb=3RB2153-4FW2>

Cax online generator

<http://support.automation.siemens.com/WW/CAXorder/default.aspx?lang=en&mlfb=3RB2153-4FW2>

Service&Support (Manuals, Certificates, Characteristics, FAQs,...)

<https://support.industry.siemens.com/cs/ww/en/ps/3RB2153-4FW2>

Image database (product images, 2D dimension drawings, 3D models, device circuit diagrams, EPLAN macros, ...)

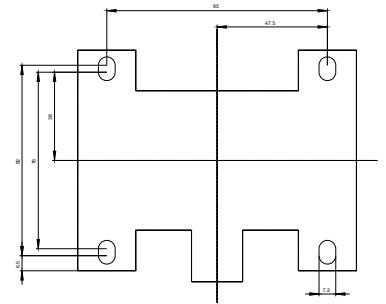
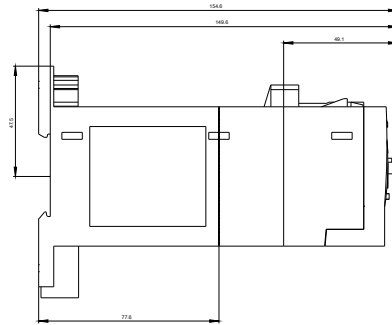
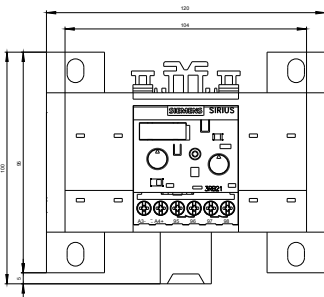
http://www.automation.siemens.com/bilddb/cax_de.aspx?mlfb=3RB2153-4FW2&lang=en

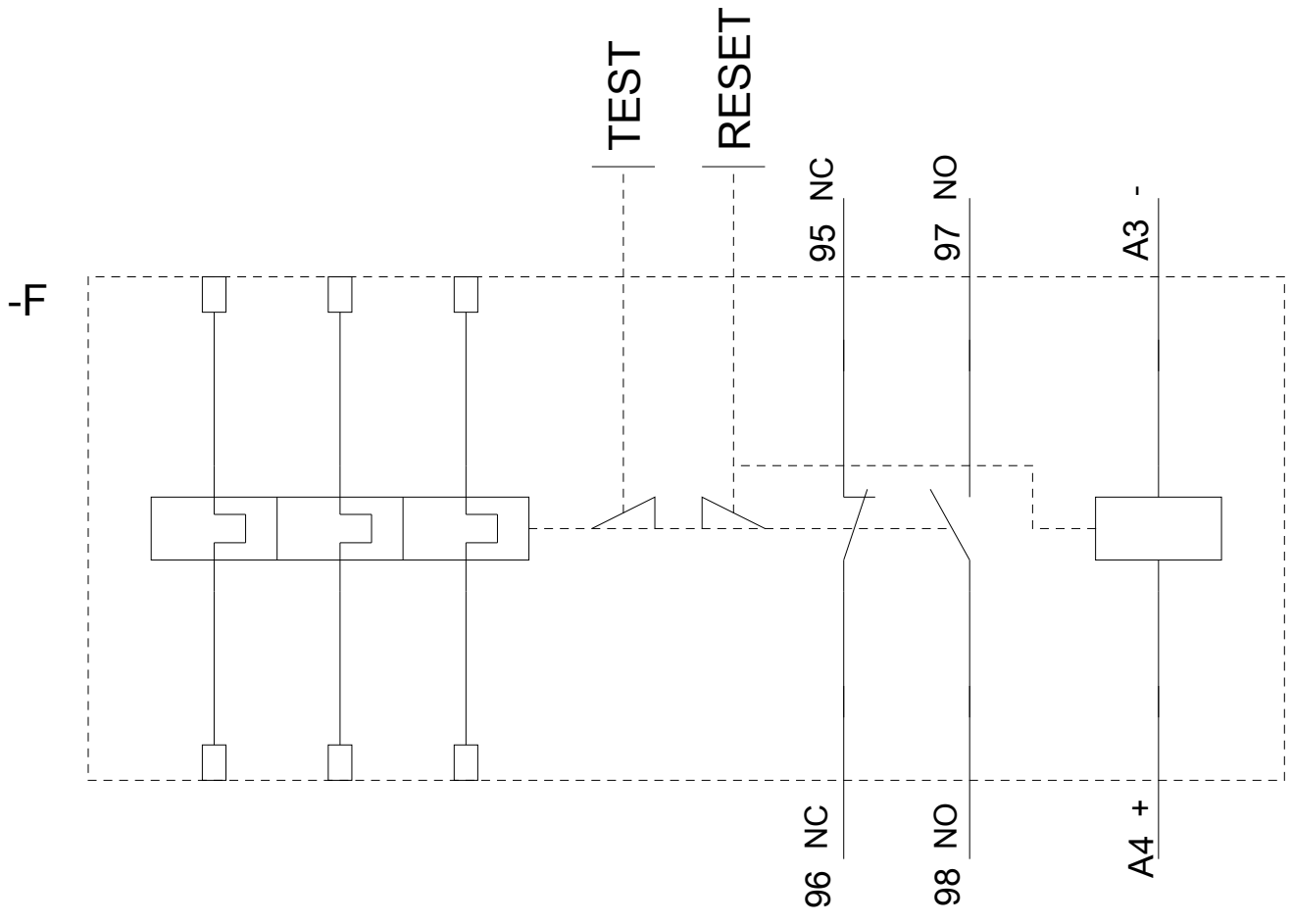
Characteristic: Tripping characteristics, I^2t , Let-through current

<https://support.industry.siemens.com/cs/ww/en/ps/3RB2153-4FW2/char>

Further characteristics (e.g. electrical endurance, switching frequency)

<http://www.automation.siemens.com/bilddb/index.aspx?view=Search&mlfb=3RB2153-4FW2&objecttype=14&gridview=view1>





last modified:

07/16/2018