



Stand-alone assembly support for 3RB20/21 Size S0
 Stand-alone installation Main circuit: screw terminal
 Auxiliary circuit: -- !!! Phased-out product !!! Successor is
 SIRIUS 3RU2 Preferred successor type is >>3RU2926-
 3AA01<<

General technical data:

Product designation	Stand-alone installation base
---------------------	-------------------------------

Mechanical data:

Mounting type	stand-alone installation
Type of electrical connection for main current circuit	screw-type terminals

Ambient conditions:

Protection class IP	IP20
---------------------	------

Certificates/ approvals:

General Product Approval	For use in hazardous locations	Declaration of Conformity	Shipping Approval
--------------------------	--------------------------------	---------------------------	-------------------



Shipping Approval	other
-------------------	-------



[Confirmation](#)

Further information

Information- and Downloadcenter (Catalogs, Brochures,...)

<http://www.siemens.com/industrial-controls/catalogs>

Industry Mall (Online ordering system)

<http://www.siemens.com/industrymall>

Cax online generator

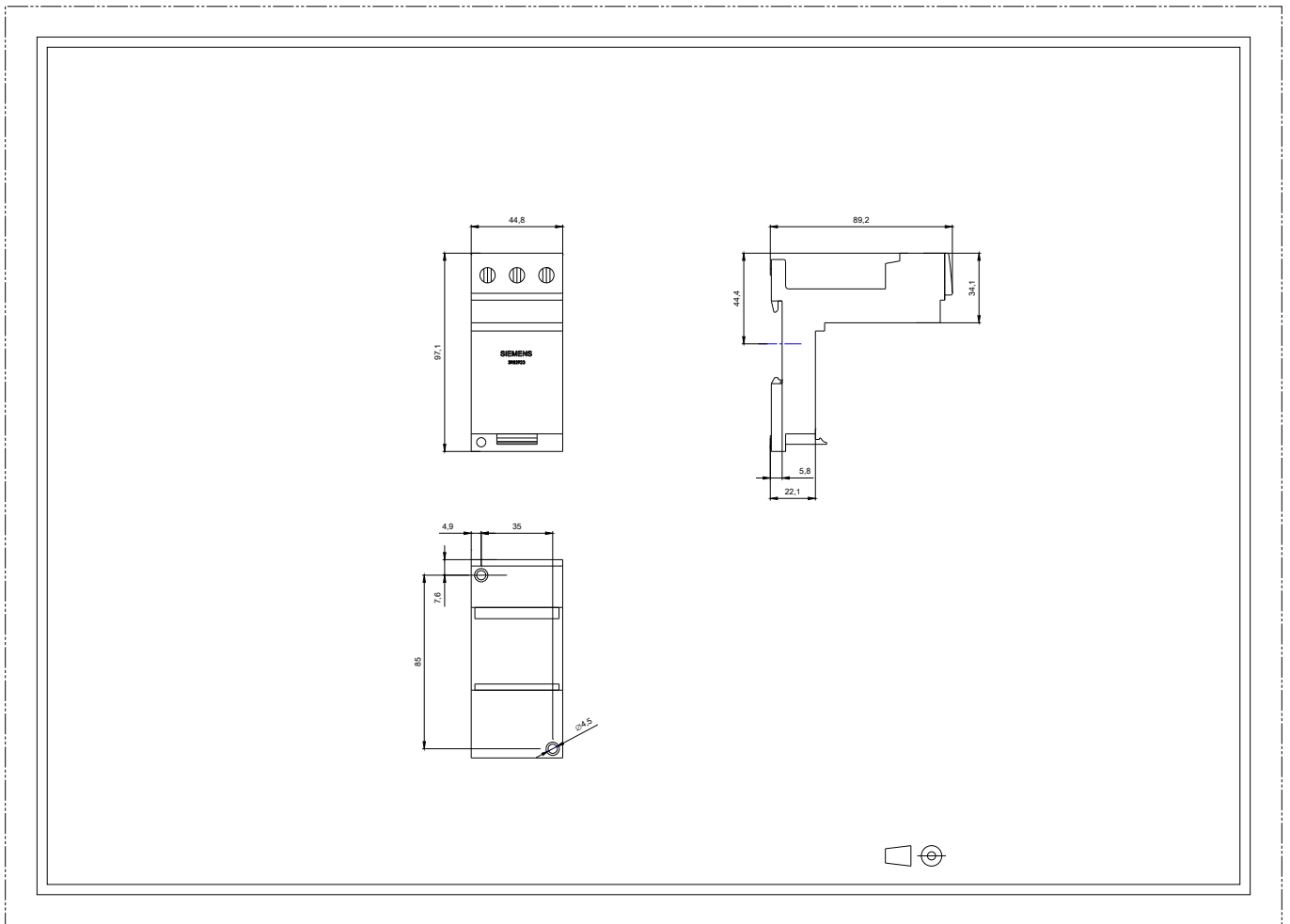
<http://support.automation.siemens.com/WW/CAXorder/default.aspx?lang=en&mfb=3RB2923-0AA1>

Service&Support (Manuals, Certificates, Characteristics, FAQs,...)

<https://support.industry.siemens.com/cs/ww/en/ps/3RB2923-0AA1>

Image database (product images, 2D dimension drawings, 3D models, device circuit diagrams, EPLAN macros, ...)

http://www.automation.siemens.com/bilddb/cax_de.aspx?mfb=3RB2923-0AA1&lang=en



last modified:

08/18/2018