

Power contactor, AC-3 7 A, 3 kW / 400 V 1 NC, 24 V AC, 50 / 60 Hz
3-pole, Size S00 screw terminal



| | |
|---|---------------------------|
| Product brand name | SIRIUS |
| Product designation | Power contactor |
| Product type designation | 3RT2 |
| General technical data | |
| Size of contactor | S00 |
| Product extension | |
| • function module for communication | No |
| • Auxiliary switch | Yes |
| Surge voltage resistance | |
| • of main circuit rated value | 6 kV |
| • of auxiliary circuit rated value | 6 kV |
| maximum permissible voltage for safe isolation | |
| • between coil and main contacts acc. to EN 60947-1 | 400 V |
| Protection class IP | |
| • on the front | IP20 |
| • of the terminal | IP20 |
| Shock resistance at rectangular impulse | |
| • at AC | 6,7g / 5 ms, 4,2g / 10 ms |

| | |
|---|----------------------------|
| Shock resistance with sine pulse | |
| <ul style="list-style-type: none"> • at AC | 10,5g / 5 ms, 6,6g / 10 ms |
| Mechanical service life (switching cycles) | |
| <ul style="list-style-type: none"> • of contactor typical | 30 000 000 |
| <ul style="list-style-type: none"> • of the contactor with added electronics-compatible auxiliary switch block typical | 5 000 000 |
| <ul style="list-style-type: none"> • of the contactor with added auxiliary switch block typical | 10 000 000 |
| Reference code acc. to DIN 40719 extended according to IEC 204-2 acc. to IEC 750 | K |
| Reference code acc. to DIN EN 81346-2 | Q |

Ambient conditions

| | |
|--|----------------|
| Installation altitude at height above sea level | |
| <ul style="list-style-type: none"> • maximum | 2 000 m |
| Ambient temperature | |
| <ul style="list-style-type: none"> • during operation | -25 ... +60 °C |
| <ul style="list-style-type: none"> • during storage | -55 ... +80 °C |

Main circuit

| | |
|---|---------------------|
| Number of poles for main current circuit | 3 |
| Number of NO contacts for main contacts | 3 |
| Operating voltage | |
| <ul style="list-style-type: none"> • at AC-3 rated value maximum | 690 V |
| Operating current | |
| <ul style="list-style-type: none"> • at AC-1 at 400 V <ul style="list-style-type: none"> — at ambient temperature 40 °C rated value | 18 A |
| <ul style="list-style-type: none"> • at AC-1 <ul style="list-style-type: none"> — up to 690 V at ambient temperature 40 °C rated value | 18 A |
| <ul style="list-style-type: none"> — up to 690 V at ambient temperature 60 °C rated value | 16 A |
| <ul style="list-style-type: none"> • at AC-2 at 400 V rated value | 7 A |
| <ul style="list-style-type: none"> • at AC-3 <ul style="list-style-type: none"> — at 400 V rated value | 7 A |
| <ul style="list-style-type: none"> — at 500 V rated value | 6 A |
| <ul style="list-style-type: none"> — at 690 V rated value | 4.9 A |
| <ul style="list-style-type: none"> • at AC-4 at 400 V rated value | 6.5 A |
| Connectable conductor cross-section in main circuit at AC-1 | |
| <ul style="list-style-type: none"> • at 60 °C minimum permissible | 2.5 mm ² |
| <ul style="list-style-type: none"> • at 40 °C minimum permissible | 2.5 mm ² |
| Operating current for approx. 200000 operating cycles at AC-4 | |

| | |
|--|---------|
| • at 400 V rated value | 2.6 A |
| • at 690 V rated value | 1.8 A |
| Operating current | |
| • at 1 current path at DC-1 | |
| — at 24 V rated value | 15 A |
| — at 110 V rated value | 1.5 A |
| — at 220 V rated value | 0.6 A |
| — at 440 V rated value | 0.42 A |
| — at 600 V rated value | 0.42 A |
| • with 2 current paths in series at DC-1 | |
| — at 24 V rated value | 15 A |
| — at 110 V rated value | 8.4 A |
| — at 220 V rated value | 1.2 A |
| — at 440 V rated value | 0.6 A |
| — at 600 V rated value | 0.5 A |
| • with 3 current paths in series at DC-1 | |
| — at 24 V rated value | 15 A |
| — at 110 V rated value | 15 A |
| — at 220 V rated value | 15 A |
| — at 440 V rated value | 0.9 A |
| — at 600 V rated value | 0.7 A |
| Operating current | |
| • at 1 current path at DC-3 at DC-5 | |
| — at 24 V rated value | 15 A |
| — at 110 V rated value | 0.1 A |
| • with 2 current paths in series at DC-3 at DC-5 | |
| — at 24 V rated value | 15 A |
| — at 110 V rated value | 0.25 A |
| • with 3 current paths in series at DC-3 at DC-5 | |
| — at 24 V rated value | 15 A |
| — at 110 V rated value | 15 A |
| — at 220 V rated value | 1.2 A |
| — at 440 V rated value | 0.14 A |
| — at 600 V rated value | 0.14 A |
| Operating power | |
| • at AC-1 | |
| — at 230 V rated value | 6.3 kW |
| — at 230 V at 60 °C rated value | 6 kW |
| — at 400 V rated value | 11 kW |
| — at 400 V at 60 °C rated value | 10.5 kW |
| — at 690 V rated value | 19 kW |

| | |
|---|--------------------------------|
| <ul style="list-style-type: none"> — at 690 V at 60 °C rated value | 18 kW |
| <ul style="list-style-type: none"> • at AC-2 at 400 V rated value | 3 kW |
| <ul style="list-style-type: none"> • at AC-3 <ul style="list-style-type: none"> — at 230 V rated value — at 400 V rated value — at 500 V rated value — at 690 V rated value | 1.5 kW 3 kW 3 kW 4 kW |
| Operating power for approx. 200000 operating cycles at AC-4 | |
| <ul style="list-style-type: none"> • at 400 V rated value | 1.15 kW |
| <ul style="list-style-type: none"> • at 690 V rated value | 1.15 kW |
| Thermal short-time current limited to 10 s | 56 A |
| Power loss [W] at AC-3 at 400 V for rated value of the operating current per conductor | 0.4 W |
| No-load switching frequency | |
| <ul style="list-style-type: none"> • at AC | 10 000 1/h |
| Operating frequency | |
| <ul style="list-style-type: none"> • at AC-1 maximum | 1 000 1/h |
| <ul style="list-style-type: none"> • at AC-2 maximum | 750 1/h |
| <ul style="list-style-type: none"> • at AC-3 maximum | 750 1/h |
| <ul style="list-style-type: none"> • at AC-4 maximum | 250 1/h |
| Control circuit/ Control | |
| Type of voltage of the control supply voltage | AC |
| Control supply voltage at AC | |
| <ul style="list-style-type: none"> • at 50 Hz rated value | 24 V |
| <ul style="list-style-type: none"> • at 60 Hz rated value | 24 V |
| Operating range factor control supply voltage rated value of magnet coil at AC | |
| <ul style="list-style-type: none"> • at 50 Hz | 0.8 ... 1.1 |
| <ul style="list-style-type: none"> • at 60 Hz | 0.85 ... 1.1 |
| Apparent pick-up power of magnet coil at AC | |
| <ul style="list-style-type: none"> • at 50 Hz | 27 V·A |
| <ul style="list-style-type: none"> • at 60 Hz | 24.3 V·A |
| Inductive power factor with closing power of the coil | |
| <ul style="list-style-type: none"> • at 50 Hz | 0.8 |
| <ul style="list-style-type: none"> • at 60 Hz | 0.75 |
| Apparent holding power of magnet coil at AC | |
| <ul style="list-style-type: none"> • at 50 Hz | 4.2 V·A |
| <ul style="list-style-type: none"> • at 60 Hz | 3.3 V·A |
| Inductive power factor with the holding power of the coil | |
| <ul style="list-style-type: none"> • at 50 Hz | 0.25 |

| | |
|--|------------------|
| <ul style="list-style-type: none"> • at 60 Hz | 0.25 |
| Closing delay | |
| <ul style="list-style-type: none"> • at AC | 9 ... 35 ms |
| Opening delay | |
| <ul style="list-style-type: none"> • at AC | 3.5 ... 14 ms |
| Arcing time | 10 ... 15 ms |
| Control version of the switch operating mechanism | Standard A1 - A2 |

Auxiliary circuit

| | |
|---|--|
| Number of NC contacts for auxiliary contacts | |
| <ul style="list-style-type: none"> • instantaneous contact | 1 |
| Operating current at AC-12 maximum | 10 A |
| Operating current at AC-15 | |
| <ul style="list-style-type: none"> • at 230 V rated value • at 400 V rated value • at 500 V rated value • at 690 V rated value | 10 A 3 A 2 A 1 A |
| Operating current at DC-12 | |
| <ul style="list-style-type: none"> • at 24 V rated value • at 48 V rated value • at 60 V rated value • at 110 V rated value • at 125 V rated value • at 220 V rated value • at 600 V rated value | 10 A 6 A 6 A 3 A 2 A 1 A 0.15 A |
| Operating current at DC-13 | |
| <ul style="list-style-type: none"> • at 24 V rated value • at 48 V rated value • at 60 V rated value • at 110 V rated value • at 125 V rated value • at 220 V rated value • at 600 V rated value | 10 A 2 A 2 A 1 A 0.9 A 0.3 A 0.1 A |
| Contact reliability of auxiliary contacts | 1 faulty switching per 100 million (17 V, 1 mA) |

UL/CSA ratings

| | |
|---|--------------------|
| Full-load current (FLA) for three-phase AC motor | |
| <ul style="list-style-type: none"> • at 480 V rated value • at 600 V rated value | 4.8 A 6.1 A |
| Yielded mechanical performance [hp] | |
| <ul style="list-style-type: none"> • for single-phase AC motor <ul style="list-style-type: none"> — at 110/120 V rated value — at 230 V rated value | 0.25 hp 0.75 hp |

| | |
|--|---|
| <ul style="list-style-type: none"> • for three-phase AC motor <ul style="list-style-type: none"> — at 200/208 V rated value — at 220/230 V rated value — at 460/480 V rated value — at 575/600 V rated value | <p>1.5 hp</p> <p>2 hp</p> <p>3 hp</p> <p>5 hp</p> |
| Contact rating of auxiliary contacts according to UL | A600 / Q600 |

Short-circuit protection

| | |
|---|--|
| Design of the fuse link | |
| <ul style="list-style-type: none"> • for short-circuit protection of the main circuit <ul style="list-style-type: none"> — with type of coordination 1 required — with type of assignment 2 required • for short-circuit protection of the auxiliary switch required | <p>gG: 35A (690V,100kA), aM: 20A (690V,100kA), BS88: 35A (415V,80kA)</p> <p>gG: 20A (690V,100kA), aM: 16A (690V, 100kA), BS88: 20A (415V, 80kA)</p> <p>fuse gG: 10 A</p> |

Installation/ mounting/ dimensions

| | |
|---|---|
| Mounting position | +/-180° rotation possible on vertical mounting surface; can be tilted forward and backward by +/- 22.5° on vertical mounting surface |
| Mounting type | screw and snap-on mounting onto 35 mm standard mounting rail according to DIN EN 60715 |
| <ul style="list-style-type: none"> • Side-by-side mounting | Yes |
| Height | 58 mm |
| Width | 45 mm |
| Depth | 73 mm |
| Required spacing | |
| <ul style="list-style-type: none"> • with side-by-side mounting <ul style="list-style-type: none"> — forwards — upwards — downwards — at the side • for grounded parts <ul style="list-style-type: none"> — forwards — upwards — at the side — downwards • for live parts <ul style="list-style-type: none"> — forwards — upwards — downwards — at the side | <p>10 mm</p> <p>10 mm</p> <p>10 mm</p> <p>0 mm</p> <p>10 mm</p> <p>10 mm</p> <p>6 mm</p> <p>10 mm</p> <p>10 mm</p> <p>10 mm</p> <p>6 mm</p> |

Connections/Terminals

| | |
|---|---|
| Type of electrical connection | |
| <ul style="list-style-type: none"> • for main current circuit • for auxiliary and control current circuit | <p>screw-type terminals</p> <p>screw-type terminals</p> |
| Type of connectable conductor cross-sections | |
| <ul style="list-style-type: none"> • for main contacts <ul style="list-style-type: none"> — solid — single or multi-stranded — finely stranded with core end processing • at AWG conductors for main contacts | <p>2x (0.5 ... 1.5 mm²), 2x (0.75 ... 2.5 mm²), 2x 4 mm²</p> <p>2x (0,5 ... 1,5 mm²), 2x (0,75 ... 2,5 mm²), 2x 4 mm²</p> <p>2x (0.5 ... 1.5 mm²), 2x (0.75 ... 2.5 mm²)</p> <p>2x (20 ... 16), 2x (18 ... 14), 2x 12</p> |
| Connectable conductor cross-section for main contacts | |
| <ul style="list-style-type: none"> • solid • stranded • finely stranded with core end processing | <p>0.5 ... 4 mm²</p> <p>0.5 ... 4 mm²</p> <p>0.5 ... 2.5 mm²</p> |
| Connectable conductor cross-section for auxiliary contacts | |
| <ul style="list-style-type: none"> • single or multi-stranded • finely stranded with core end processing | <p>0.5 ... 4 mm²</p> <p>0.5 ... 2.5 mm²</p> |
| Type of connectable conductor cross-sections | |
| <ul style="list-style-type: none"> • for auxiliary contacts <ul style="list-style-type: none"> — single or multi-stranded — finely stranded with core end processing • at AWG conductors for auxiliary contacts | <p>2x (0,5 ... 1,5 mm²), 2x (0,75 ... 2,5 mm²), 2x 4 mm²</p> <p>2x (0.5 ... 1.5 mm²), 2x (0.75 ... 2.5 mm²)</p> <p>2x (20 ... 16), 2x (18 ... 14), 2x 12</p> |
| AWG number as coded connectable conductor cross section | |
| <ul style="list-style-type: none"> • for main contacts • for auxiliary contacts | <p>20 ... 12</p> <p>20 ... 12</p> |

Safety related data

| | |
|---|-------------------------|
| B10 value | |
| <ul style="list-style-type: none"> • with high demand rate acc. to SN 31920 | 1 000 000 |
| Proportion of dangerous failures | |
| <ul style="list-style-type: none"> • with low demand rate acc. to SN 31920 • with high demand rate acc. to SN 31920 | <p>40 %</p> <p>73 %</p> |
| Failure rate [FIT] | |
| <ul style="list-style-type: none"> • with low demand rate acc. to SN 31920 | 100 FIT |
| Product function | |
| <ul style="list-style-type: none"> • Mirror contact acc. to IEC 60947-4-1 | Yes |
| T1 value for proof test interval or service life acc. to IEC 61508 | 20 y |
| Protection against electrical shock | finger-safe |

Certificates/approvals

| | |
|--------------------------|---------------------------------------|
| General Product Approval | Functional Safety/Safety of Machinery |
|--------------------------|---------------------------------------|



[KC](#)



[Type Examination](#)

| | | |
|---------------------------|-------------------|-------------------|
| Declaration of Conformity | Test Certificates | Marine / Shipping |
|---------------------------|-------------------|-------------------|



[Type Test Certificates/Test Report](#)

[Special Test Certificate](#)



| | |
|-------------------|-------|
| Marine / Shipping | other |
|-------------------|-------|



[Confirmation](#)

| |
|-------|
| other |
|-------|



Further information

Information- and Downloadcenter (Catalogs, Brochures,...)

<http://www.siemens.com/industrial-controls/catalogs>

Industry Mall (Online ordering system)

<https://mall.industry.siemens.com/mall/en/en/Catalog/product?mlfb=3RT2015-1AB02>

Cax online generator

<http://support.automation.siemens.com/WW/CAXorder/default.aspx?lang=en&mlfb=3RT2015-1AB02>

Service&Support (Manuals, Certificates, Characteristics, FAQs,...)

<https://support.industry.siemens.com/cs/ww/en/ps/3RT2015-1AB02>

Image database (product images, 2D dimension drawings, 3D models, device circuit diagrams, EPLAN macros, ...)

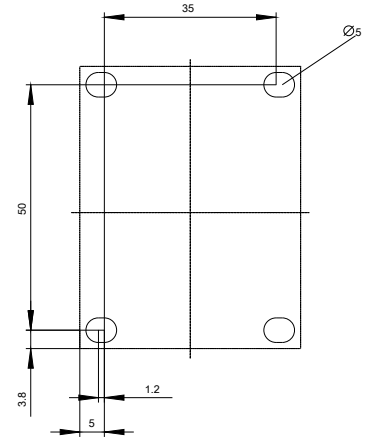
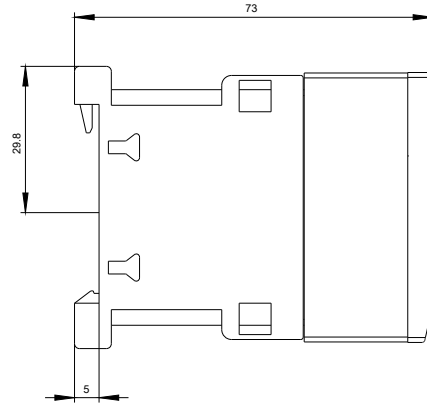
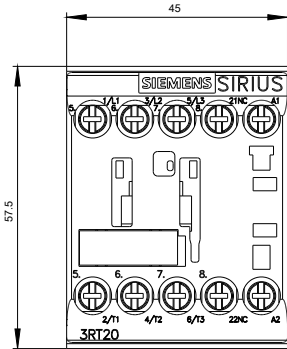
http://www.automation.siemens.com/bilddb/cax_de.aspx?mlfb=3RT2015-1AB02&lang=en

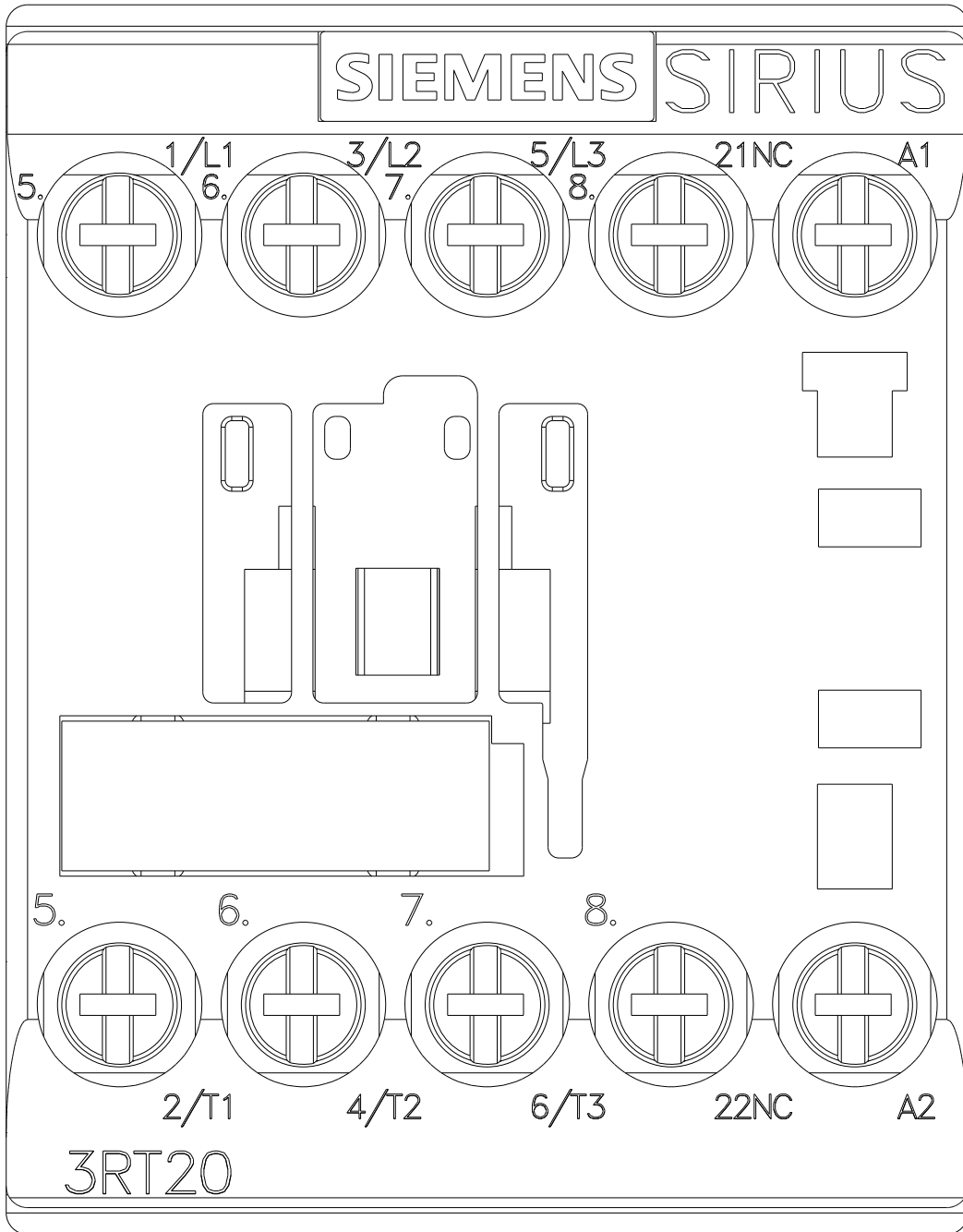
Characteristic: Tripping characteristics, I_t, Let-through current

<https://support.industry.siemens.com/cs/ww/en/ps/3RT2015-1AB02/char>

Further characteristics (e.g. electrical endurance, switching frequency)

<http://www.automation.siemens.com/bilddb/index.aspx?view=Search&mlfb=3RT2015-1AB02&objecttype=14&gridview=view1>







last modified:

07/25/2018