

<b>SIEMENS</b>		<b>Data Sheet : Induction Motor Champion Series Motor Type : 1LA2 096-2NA81</b>				
Number of Phases		3				
Rated Output kW		2.2				
Rated Voltage V		415				
Rated Current A		4		Reference Standard	IS:12615	
Rated Speed rev/min		2836		Enclosure IS:4691	IP55	
Rated Frequency Hz		50		Cooling IS:6362	IC411	
Rated Torque		0.76 kgf.m / 7.4 Nm		Duty		S1
Efficiency :	100% load %	85.9		Terminal Box Data	Type	1XB0 096
	75% load %	85.9			Terminal Size	M4
	50% load %	85.4			No. of Terminals	6
Power Factor :	100% load %	0.89		Bearing Data	Max. Cable Section	mm <sup>2</sup> 1R 3½C 6mm <sup>2</sup>
	75% load %	0.86			Drive End	6205ZZ
	50% load %	0.78			Non-Drive End	6205ZZ
Insulation Class		F		Lubrication		Pre-Lubricated
Temperature rise (Res.method) K		70		Life L10 hrs. #		50,000
Locked rotor withstand time	Hot (s)	5		Lifting eyebolt IS:4190		M8
	Cold (s)	12		Motor weight (approx.) kg		23
Stator connection		DELTA		Rotor	GD <sup>2</sup> (4x MI) kgf.m <sup>2</sup>	0.0103
Rotor Class		KL16			Weight kg	9.2
Ratio of starting current to the rated current				Construction IS:2253		IMB5
Ratio of starting torque to the rated torque	100% voltage	6.5		Frame designation		90L
	80% voltage	4.8		Ambient Temperature °C		50
	100% voltage	2.8		Voltage Variation % ± 10		
Ratio of Breakdown torque to the rated torque	80% voltage	1.6		Frequency variation % ± 5		
	100% voltage	3.1		Combined Voltage & Frequency variation % 10		
	80% voltage	1.8		# For directly coupled drives		
				Data subject to tolerance as per IS:12615.		
<b>Remarks :</b> Unique Identification Code: UIC-362108 <--- This code must match with the one on Characteristic Curves Sheet.						
<b>KALWA, INDIA</b> <b>Department : I DT LD P LV-Motors</b>		Reference Document MTR 2.6-182		Printed & Checked : Date : 19.12.2012		Release Date <b>Aug '2011</b>

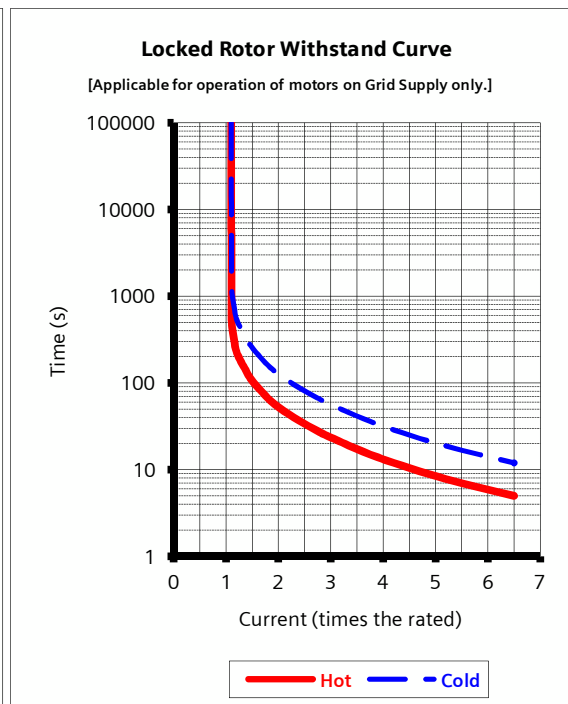
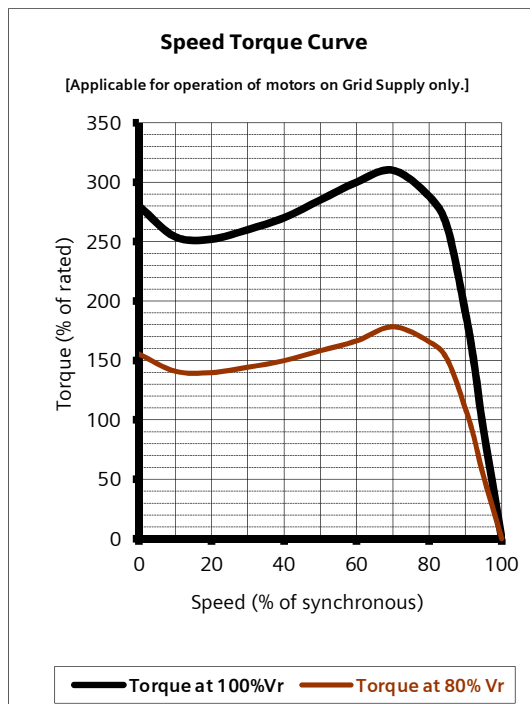
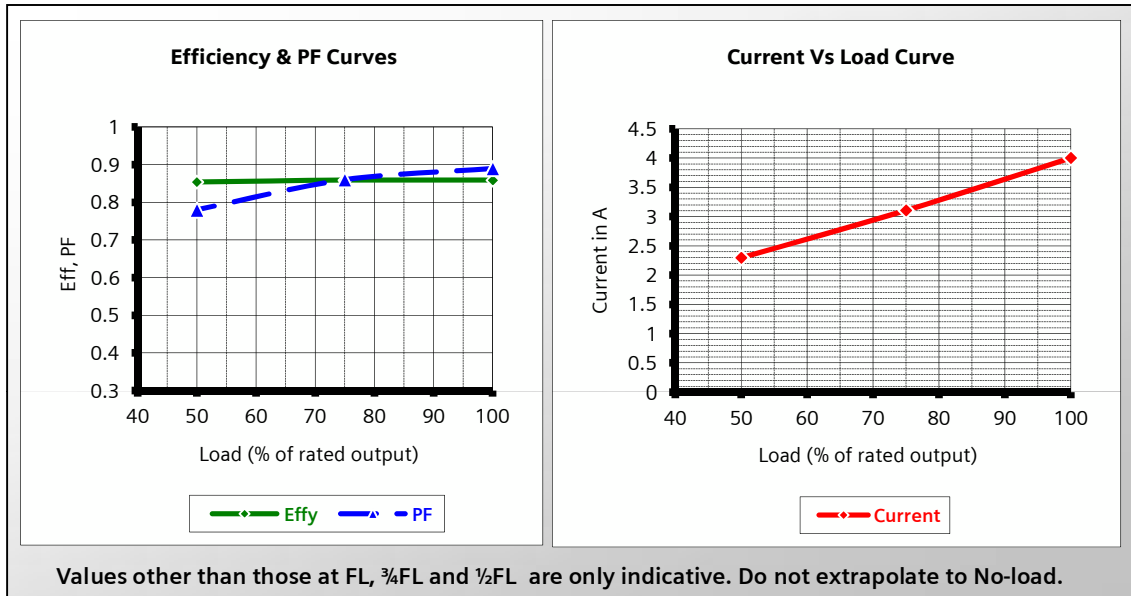
Unique Identification Code: UIC-362108 <-- This code must match with the one on the Data Sheet.

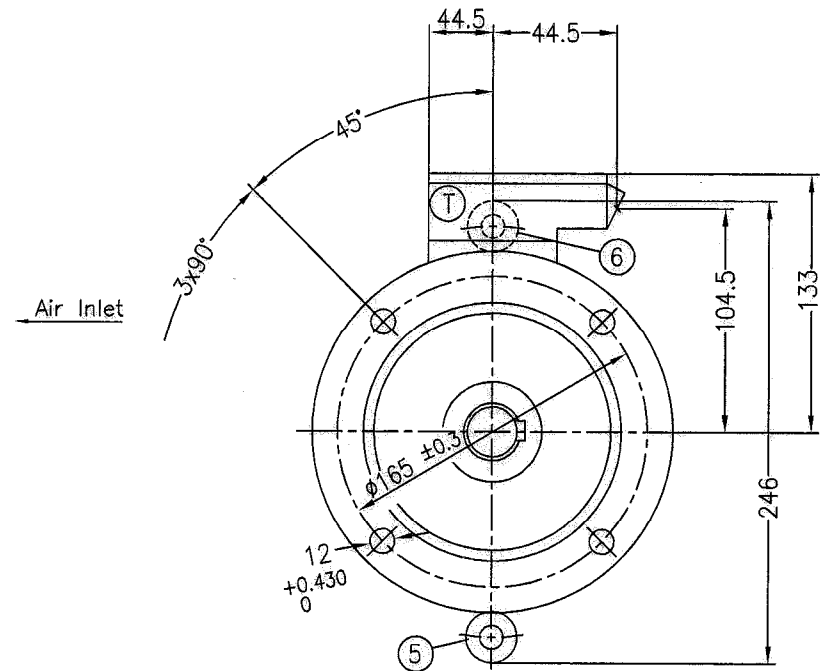
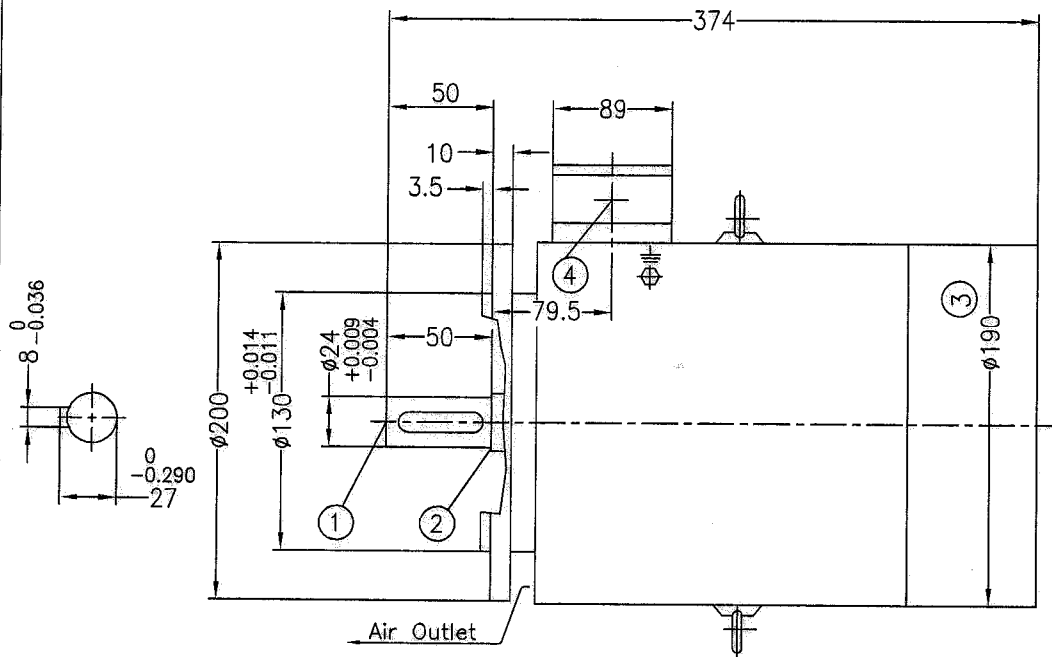
Motor Type : 1LA2 096-2NA81 Voltage : 415VΔ Rated Speed : 2836 rev/min  
 Output : 2.2 kW Frequency : 50Hz Rated Torque : 0.76 kgf.m / 7.4 Nm  
 Rated Current: 4A

% Load	FL	¾FL	½FL
Efficiency	85.9%	85.9%	85.4%
Power Factor	0.89	0.86	0.78

Locked Rtr Curr	6.5 x Rated
LRWT HOT	5 s
LRWT COLD	12 s

**DATA SUBJECT TO TOLERANCE AS PER IS : 12615.**





- ① Shaft extension  $\phi 24_{j6}$  x 50 with protected centre hole M8x20
- ② Relief groove E1x0.2 as per IS:3428
- ③ Measured over bolt heads
- ④ 1 No. B.S.Conduit Entry 19 (0.75") -IS:1653
- ⑤ Eye Bolt position for V1 construction.
- ⑥ Eye Bolt position for B5 construction.

Ⓣ Terminal Box Type : 1XB0 096  
 suitable for max. cable conductor cross-section(mm<sup>2</sup>): 6.0

F165B (Frame 90S/L)			IM-B5/V1	
Flange Designation			Applicable for Construction	
Drawn	Date	Name	Dimensional Diagram Type:1SE0/1LA2 09...N DRG No. 4D-2709-04-0242302-101 REF DRG NO.:	Scale NTS
Checked				
Std.CHD.				
Dim. without tolerance as per very coarse IS:2102			SIEMENS LTD MOTORS	