

Actuator head for position switch 3SE51/52 Rounded plunger, Form B made of stainless steel with 3 mm overtravel according to EN 50041



Product brand name	SIRIUS
Product designation	actuator head for position switch
Product type designation	3SE5
Manufacturer's article number	
<ul style="list-style-type: none"> of the supplied actuator head for position switches 	3SE5000-0AC02

General technical data	
Product function	
<ul style="list-style-type: none"> positive opening 	Yes
Shock resistance	
<ul style="list-style-type: none"> acc. to IEC 60068-2-27 	30 g / 11 ms
Vibration resistance	
<ul style="list-style-type: none"> acc. to IEC 60068-2-6 	0.35 mm/5g
Mechanical service life (switching cycles)	
<ul style="list-style-type: none"> typical 	15 000 000
Material of the enclosure of the switch head	metal
Reference code acc. to DIN EN 81346-2	T
Reference code acc. to DIN EN 61346-2	T
Active principle	mechanical

Minimum actuating force in activation direction	20 N
Design of the interface for safety-related communication	without

Enclosure	
Coating of the enclosure	Other types

Drive Head	
Design of the operating mechanism	Rounded plunger, high-grade steel plunger
Standard-compliant actuator head	EN 50041, design B
Shape of the switch head	rounded
Outer diameter of the switch head	10 mm

Communication/ Protocol	
Design of the interface	without

Ambient conditions	
Ambient temperature	
<ul style="list-style-type: none"> during operation during storage 	-25 ... +85 °C -40 ... +90 °C
Explosion protection category for dust	none

Installation/ mounting/ dimensions	
Mounting position	any
Mounting type	lockable plug-in fixing

Certificates/ approvals

General Product Approval		Declaration of Conformity	
 CSA	 UR	KC	 EAC
			 EG-Konf.
			Miscellaneous

Test Certificates	other
-------------------	-------

[Type Test Certificates/Test Report](#)

[Confirmation](#)

Further information

Information- and Downloadcenter (Catalogs, Brochures,...)

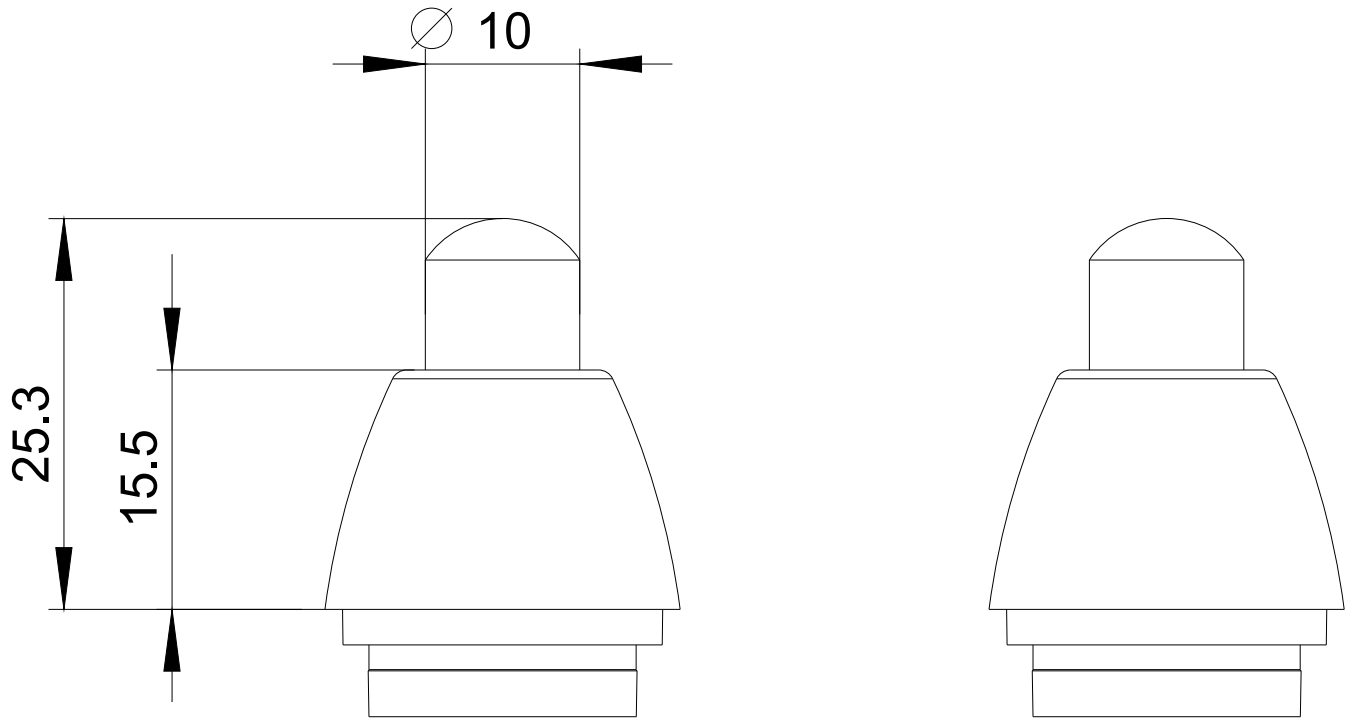
<https://www.siemens.com/ic10>

Industry Mall (Online ordering system)

<https://mall.industry.siemens.com/mall/en/en/Catalog/product?mlfb=3SE5000-0AC02>

Cax online generator

<http://support.automation.siemens.com/WW/CAXorder/default.aspx?lang=en&mlfb=3SE5000-0AC02>



last modified:

03/25/2020