

Actuator head for position switch 3SE51/52 Roller plunger, Form C, with Plastic roller 10 mm according to EN 50047



Product brand name	SIRIUS
Product designation	actuator head for position switch
Product type designation	3SE5
Manufacturer's article number	
<ul style="list-style-type: none"> of the supplied actuator head for position switches 	3SE5000-0AD03

General technical data	
Product function	
<ul style="list-style-type: none"> positive opening 	Yes
Shock resistance	
<ul style="list-style-type: none"> acc. to IEC 60068-2-27 	30 g / 11 ms
Vibration resistance	
<ul style="list-style-type: none"> acc. to IEC 60068-2-6 	0.35 mm/5g
Mechanical service life (switching cycles)	
<ul style="list-style-type: none"> typical 	15 000 000
Material of the enclosure of the switch head	plastic
Reference code acc. to DIN EN 81346-2	T
Reference code acc. to DIN EN 61346-2	T
Active principle	mechanical

Minimum actuating force in activation direction	20 N
Design of the interface for safety-related communication	without

Enclosure	
Coating of the enclosure	Other types





Drive Head	
Design of the operating mechanism	Roller plunger, plastic roller
Standard-compliant actuator head	EN 50047, design C
Shape of the switch head	roller
Outer diameter of the switch head	10 mm

Communication/ Protocol	
Design of the interface	without

Ambient conditions	
Ambient temperature	
<ul style="list-style-type: none"> during operation during storage 	-25 ... +85 °C -40 ... +90 °C
Explosion protection category for dust	none

Installation/ mounting/ dimensions	
Mounting position	any
Mounting type	lockable plug-in fixing

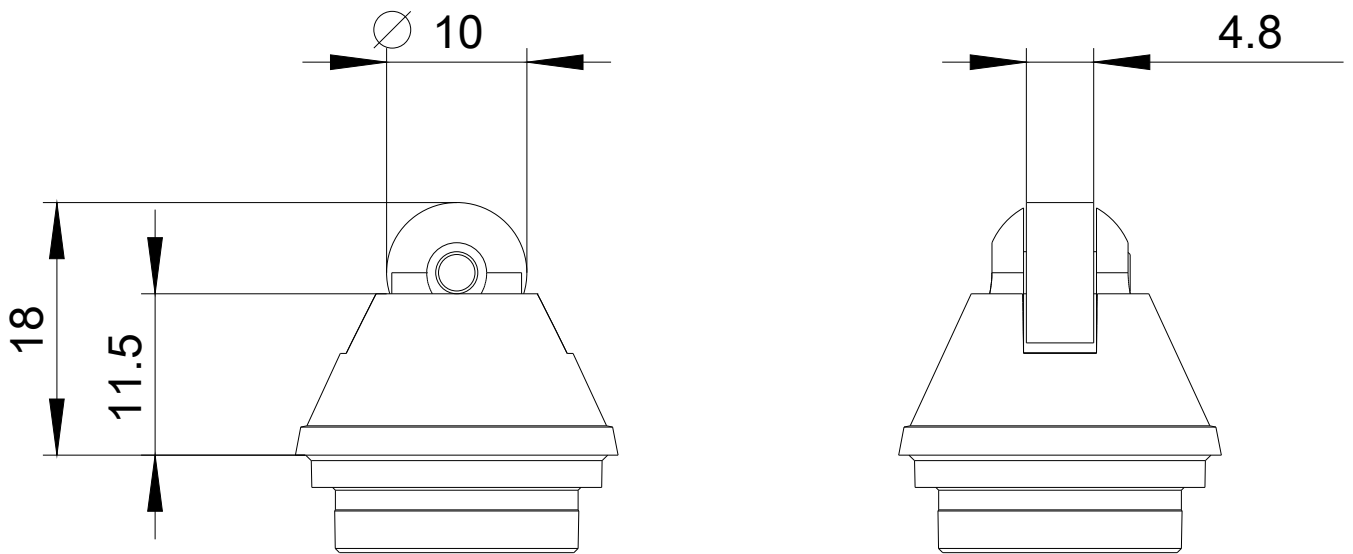
Certificates/ approvals

General Product Approval	Declaration of Conformity	Test Certificates
 CSA  UR  EAC  EG-Konf.	Miscellaneous	Type Test Certificates/Test Report

other
Confirmation

Further information

- Information- and Downloadcenter (Catalogs, Brochures,...)
<https://www.siemens.com/ic10>
- Industry Mall (Online ordering system)
<https://mall.industry.siemens.com/mall/en/en/Catalog/product?mlfb=3SE5000-0AD03>
- Cax online generator
<http://support.automation.siemens.com/WW/CAXorder/default.aspx?lang=en&mlfb=3SE5000-0AD03>



last modified:

03/19/2020