

Actuator head for position switch 3SE51/52 Roller lever Metal lever and Stainless steel roller 22 mm



<b>Product brand name</b>	SIRIUS
<b>Product designation</b>	actuator head for position switch
<b>Product type designation</b>	3SE5
<b>Manufacturer's article number</b>	
<ul style="list-style-type: none"> <li>of the supplied actuator head for position switches</li> </ul>	<a href="#">3SE5000-0AE02</a>

General technical data	
<b>Product function</b>	
<ul style="list-style-type: none"> <li>positive opening</li> </ul>	Yes
<b>Shock resistance</b>	
<ul style="list-style-type: none"> <li>acc. to IEC 60068-2-27</li> </ul>	30 g / 11 ms
<b>Vibration resistance</b>	
<ul style="list-style-type: none"> <li>acc. to IEC 60068-2-6</li> </ul>	0.35 mm/5g
<b>Mechanical service life (switching cycles)</b>	
<ul style="list-style-type: none"> <li>typical</li> </ul>	15 000 000
<b>Material of the enclosure of the switch head</b>	plastic
<b>Active principle</b>	mechanical
<b>Minimum actuating force in activation direction</b>	10 N

Design of the interface for safety-related communication	without
----------------------------------------------------------	---------

### Enclosure

Coating of the enclosure	Other types
--------------------------	-------------

### Drive Head

Design of the operating mechanism	Roller lever, metal lever, high-grade steel roller
Standard-compliant actuator head	EN 50041
Shape of the switch head	roller
Outer diameter of the switch head	22 mm

### Communication/ Protocol

Design of the interface	without
-------------------------	---------

### Ambient conditions

Ambient temperature	
<ul style="list-style-type: none"> <li>during operation</li> <li>during storage</li> </ul>	-25 ... +85 °C -40 ... +90 °C
Explosion protection category for dust	none

### Installation/ mounting/ dimensions

Mounting position	any
Mounting type	lockable plug-in fixing

### Certificates/approvals

General Product Approval	Test Certificates	other
--------------------------	-------------------	-------



[Special Test Certificate](#)

[Confirmation](#)

### Further information

**Information- and Downloadcenter (Catalogs, Brochures,...)**

<http://www.siemens.com/industrial-controls/catalogs>

**Industry Mall (Online ordering system)**

<https://mall.industry.siemens.com/mall/en/en/Catalog/product?mlfb=3SE5000-0AE02>

**Cax online generator**

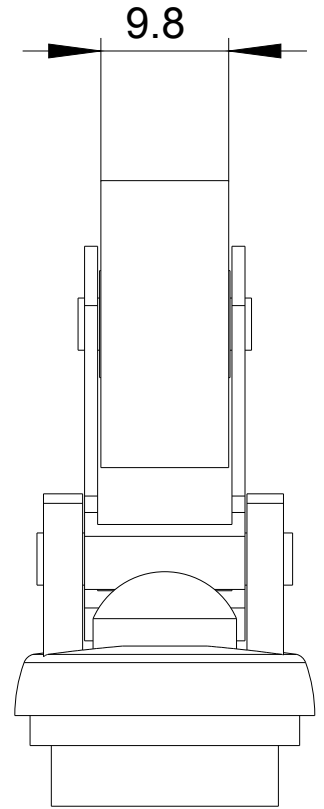
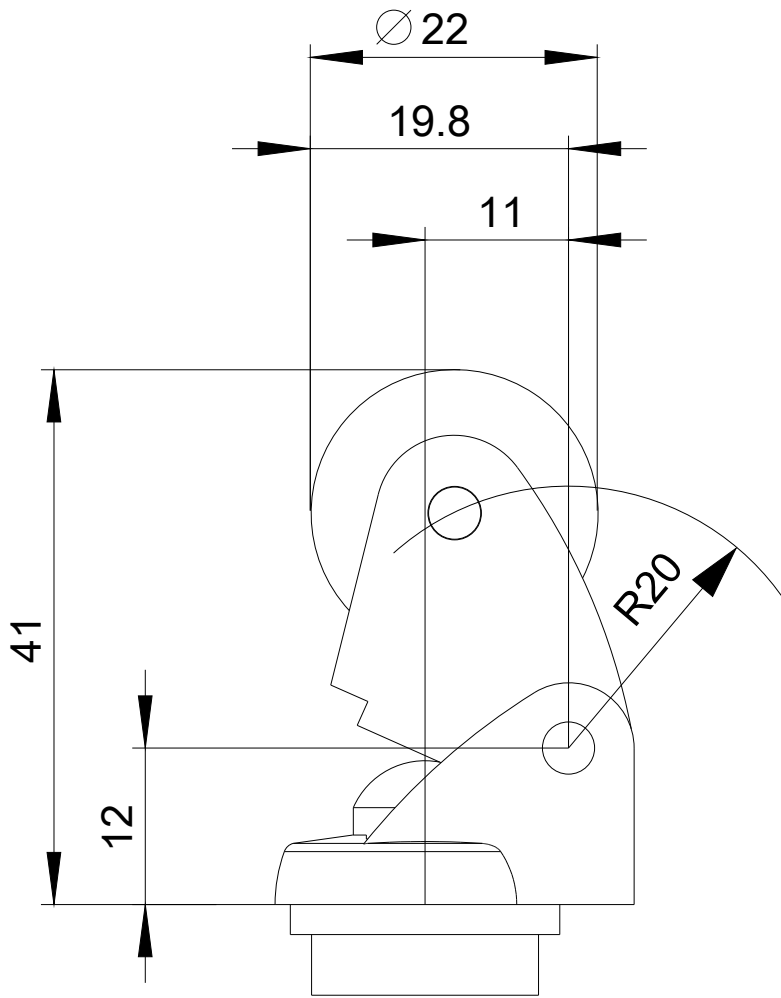
<http://support.automation.siemens.com/WW/CAXorder/default.aspx?lang=en&mlfb=3SE5000-0AE02>

**Service&Support (Manuals, Certificates, Characteristics, FAQs,...)**

<https://support.industry.siemens.com/cs/ww/en/ps/3SE5000-0AE02>

**Image database (product images, 2D dimension drawings, 3D models, device circuit diagrams, EPLAN macros, ...)**

[http://www.automation.siemens.com/bilddb/cax\\_de.aspx?mlfb=3SE5000-0AE02&lang=en](http://www.automation.siemens.com/bilddb/cax_de.aspx?mlfb=3SE5000-0AE02&lang=en)



last modified:

07/11/2018