

Pivoting lever drive (Please order lever separately) for position switch 3SE51/3SF11, for 40/56/56XL mm, Switch points according to EN 50041. The switching direction the lever is on left / right or left only or only to the right. Delivery state ist right / left.



<b>Product brand name</b>	SIRIUS
<b>Product designation</b>	Part-turn actuator for position switch 3SE51/3SF11
<b>Product type designation</b>	3SE5
<b>Manufacturer's article number</b>	
<ul style="list-style-type: none"> <li>of the supplied actuator head for position switches</li> </ul>	<a href="#">3SE5000-0AH00</a>

General technical data	
<b>Shock resistance</b>	
<ul style="list-style-type: none"> <li>acc. to IEC 60068-2-27</li> </ul>	30 g / 11 ms
<b>Vibration resistance</b>	
<ul style="list-style-type: none"> <li>acc. to IEC 60068-2-6</li> </ul>	0.35 mm/5g
<b>Material of the enclosure of the switch head</b>	plastic
<b>Reference code acc. to DIN EN 81346-2</b>	T
<b>Reference code acc. to DIN EN 61346-2</b>	T
<b>Active principle</b>	mechanical
<b>Minimum actuating torque in activation direction</b>	0.25 N·m
<b>Design of the interface for safety-related communication</b>	without

## Enclosure

Coating of the enclosure	Other types
--------------------------	-------------

### Drive Head

Design of the operating mechanism	Twist actuator, without lever or rod
Standard-compliant actuator head	EN 50041

### Communication/ Protocol

Design of the interface	without
-------------------------	---------

### Ambient conditions

<b>Ambient temperature</b>	
<ul style="list-style-type: none"> <li>during operation</li> <li>during storage</li> </ul>	<p>-25 ... +85 °C</p> <p>-40 ... +90 °C</p>
<b>Explosion protection category for dust</b>	none

### Installation/ mounting/ dimensions

Mounting position	any
Mounting type	lockable plug-in fixing

### Certificates/ approvals

General Product Approval	Declaration of Conformity	Test Certificates
--------------------------	---------------------------	-------------------



CSA



UR



EG-Konf.

[Miscellaneous](#)

[Type Test Certificates/Test Report](#)

#### other

[Confirmation](#)

### Further information

#### Information- and Downloadcenter (Catalogs, Brochures,...)

<https://www.siemens.com/ic10>

#### Industry Mall (Online ordering system)

<https://mall.industry.siemens.com/mall/en/en/Catalog/product?mlfb=3SE5000-0AH00>

#### Cax online generator

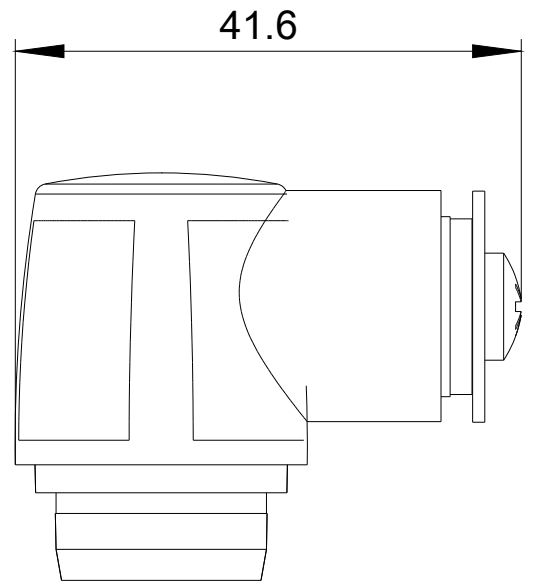
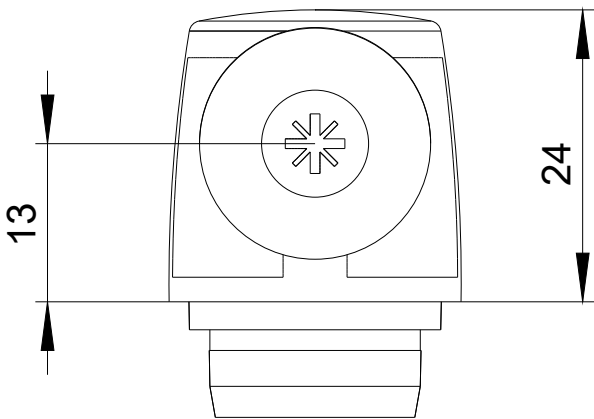
<http://support.automation.siemens.com/WW/CAXorder/default.aspx?lang=en&mlfb=3SE5000-0AH00>

#### Service&Support (Manuals, Certificates, Characteristics, FAQs,...)

<https://support.industry.siemens.com/cs/ww/en/ps/3SE5000-0AH00>

#### Image database (product images, 2D dimension drawings, 3D models, device circuit diagrams, EPLAN macros, ...)

[http://www.automation.siemens.com/bilddb/cax\\_de.aspx?mlfb=3SE5000-0AH00&lang=en](http://www.automation.siemens.com/bilddb/cax_de.aspx?mlfb=3SE5000-0AH00&lang=en)



last modified:

03/12/2020