



**SIEMENS**

*Ingenuity for life*

## 3TS Converter duty contactor

Smart. Easy. Reliable.

[www.siemens.co.in](http://www.siemens.co.in)

# Overview:

For more than 125 years, Siemens has been developing and manufacturing industrial control products. We offer a wide product range which caters to fulfill the demand of our esteemed customers with satisfactory performance level and improved reliability.

Use of power electronics is on the rise across all industries, be it renewables, heavy industries or conventional machines. With advent of digitalization, need for secure power via USP has gained significance. Converters used in these systems play an important role in the way we control and manage power.

Safety of man and machine demands proper remote or local isolation of the system and this can be catered with Siemens robust offering in control products. Our vast experience in drives and power electronics enabled us to design a perfect solution; Siemens 3TS converter duty contactors.



### Range:

- 100 to 630A AC-1 at 415V AC
- Coil: 110V, 230V & 415V AC 50Hz, 24V DC

### Application:

3TS Converter duty contactors can be widely used in:

VFD, Soft Starters applications

UPS

Solar and Wind inverters

Resistive loads

Battery charging

### Standards:

- IEC 60947-4-1

### Approbations:

- CE marking

### Features:

- Offer one of the highest AC-1 rating in given size
- Arc chamber interlock
- SIGUT Termination technique
- Compact Dimensions
- Screw mounting
- Double break parallel bridge auxiliary contacts

### Benefits:

- Ease of wiring (can obviate use of lugs)
- Operator Safety (contactor cannot be switched-on if arc chamber is not fitted properly)
- Space saving
- Flexible mounting
- Unmatched contact reliability (ensures reliable contact at low voltage & low currents)



# Technical specifications:

Contactor Type			3TS48	3TS50	3TS51	3TS52	3TS53	3TS54	3TS55	3TS56	3TS57	
Size			3	4	6	6	8	8	10	12	12	
<b>Conformance to</b>			IEC 60947-4-1									
<b>Number of Power Contacts</b>			3									
<b>Number of Auxilliary Contacts</b>			2NO+2NC									
<b>Permissible Ambient Temperature</b>												
Storage		°C	-55 to +80									
Service <sup>2)</sup>		°C	-25 to +50									
<b>Maximum operational voltage</b>			V 690									
<b>Rated Insulation Voltage <math>U_i</math></b> (At Pollution Degree. 3) <sup>1)</sup>			V 1000									
<b>Rated Impulse Strength <math>U_{imp}</math></b> (Main Circuit)			kV 8									
<b>Mechanical endurance</b> AC (Make/Break Operations)			Cycles		10 x 10 <sup>6</sup> 3 x 10 <sup>6</sup>							
<b>AC-1 duty Rated Operational Current <math>I_e</math></b> at 40°C upto 415V			A	100	145	200	225	275	325	400	525	630
<b>Switching frequency</b> (Contactors without overload relay)			Operation									
No-load		AC	Cycles/hr	5000	5000	5000	5000	5000	5000	3000	3000	2000
		DC	Cycles/hr	1000	1000	1000	1000	1000	1000	1000	1000	1000
		at AC-1	Cycles/hr	300	300	300	300	300	300	300	300	300
<b>Coil Parameters</b>			Voltages available		Uc 110V AC and 230V AC, 50Hz and 24V DC <sup>3)</sup>							
AC operation 50Hz		Pick-up	VA	155	296	443		765		1440	2200	850
		Hold-on	VA	18	28.5	39.8		61.8		93.6	108	30.7
DC operation		Pick-up	W	330	312	412	16.5	739 <sup>2)</sup>		951 <sup>2)</sup>	1020 <sup>2)</sup>	882 <sup>2)</sup>
		Hold-on	W	2.2	2.74	2.97	6.22	11.0 <sup>2)</sup>		13.4 <sup>2)</sup>	13.7 <sup>2)</sup>	22.7 <sup>2)</sup>
Limits of operation			AC	0.8 to 1.1 x Us								
			DC	0.8 to 1.2 x Us								
<b>Operating times at 1 x Us</b>												
AC Operation		Closing	ms	17-30	22-35	22-37		25-50		25-40	25-40	48-70
		Opening	ms	5-25	5-30	8-30		10-30		10-30	8-30	80-100
DC Operation		Closing	ms	22-40	32-40	28-32		32-45		36-45	40-55	44-60
		Opening	ms	105-115	95-105	185-195		10-20		10-20	10-20	12-15
<b>Conductor cross-sections</b>												
<b>Main conductor</b>												
Finely stranded with cable lug			mm <sup>2</sup>	10 to 35	35 to 95	35 to 95	35 to 95	50 to 240	50 to 240	50 to 240	50 to 240	50 to 240
Terminal bar (max. width)			mm	12	15	20	20	25	25	25	25	30
Solid or stranded			AWG	7 to 1/0								
Tightening torque			Nm	4 to 6	10 to 14	10 to 14	10 to 14	14 to 24	14 to 24	14 to 24	14 to 24	14 to 24
<b>Auxiliary Conductor</b>												
Solid			mm <sup>2</sup>	2 x (0.5 to 1, 1 to 2.5), 1 x 4								
Finely stranded with end sleeve			mm <sup>2</sup>	2 x (0.75 to 2.5)								
Pin end connector			mm <sup>2</sup>	1 x (1 to 1.5)								
Solid or Stranded			AWG	2 x (18 to 12)								
Tightening torque			Nm	0.8 to 1.4								

1) As per IS/IEC 60947-1

2) Include switching contactor

3) 24V DC coil variant not available for 3TS57

# Selection and ordering data:

## Converter duty contactors - 3TS

Contactor size	Rated current I <sub>e</sub> (A) AC1 at 415V	AC Coil <sup>1)</sup>	DC Coil <sup>1)</sup>
3	100	3TS48 22-0A.. 1-8K	3TS48 22-0B.. 1-8K
4	145	3TS49 22-0A.. 1-8K	3TS49 22-0B.. 1-8K
6	200	3TS51 22-0A.. 1-8K	3TS51 22-0B.. 1-8K
6	225	3TS52 22-0A.. 1-8K	3TS52 22-0B.. 1-8K
8	275	3TS53 22-0A.. 1-8K	3TS53 22-0B.. 1-8K
8	325	3TS54 22-0A.. 1-8K	3TS54 22-0B.. 1-8K
10	400	3TS55 22-0A.. 1-8K	3TS55 22-0B.. 1-8K
12	525	3TS56 22-0A.. 1-8K	3TS56 22-0B.. 1-8K
12	630	3TS57 22-0A.. 1-8K	

## Coil voltages for 3TS48 - 3TS56

Code	AC Coil (50Hz)		DC Coil
	F0	P0	B4
Coil voltages	110	230	24

## Coil voltages for 3TS57

AC 50/60Hz	Coil voltage (V)	110-132	220-240
	Code	F7	M7

## Spare coils

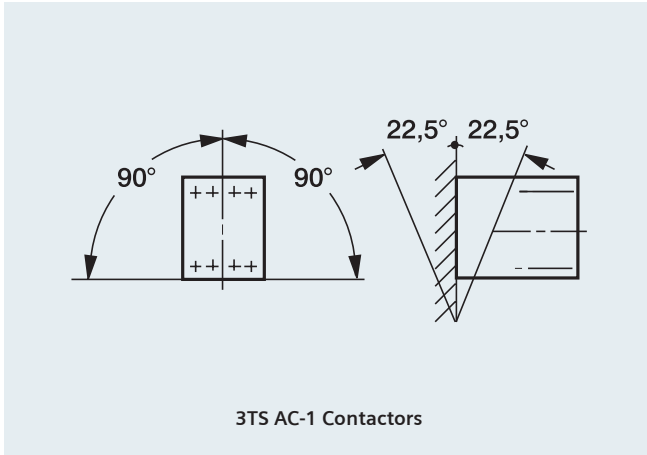
Contactor rating	AC Coil	DC Coil
3TS48	3TY7 463-0A..	3TY7 463-0D..
3TS50	3TY7 483-0A..	3TY7 483-0D..
3TS51/52	3TY7 503-0A..	3TY7 503-0D..
3TS53/54	3TY7 523-0A..	3TY7 523-0D..
3TS55	3TY7 543-0A..	3TY7 543-0D..
3TS56	3TY7 563-0A..	3TY7 563-0D..
3TS57	3TY7 573-0C..	

## Main contact kits (set of 6 fixed & 3 moving contacts)

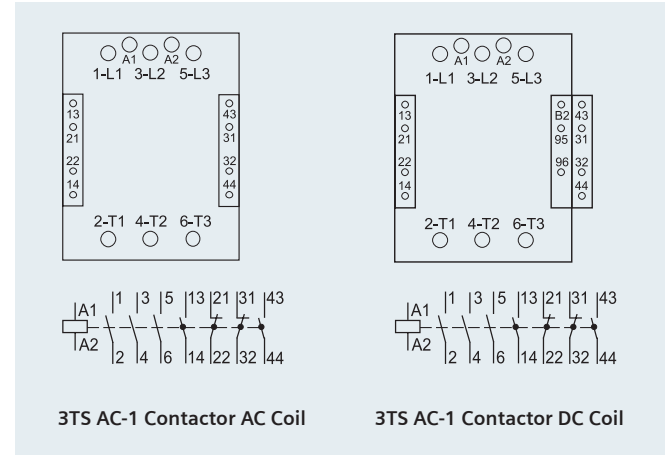
Contactor rating	Description	MLFB
3TS48	Spare main contact kits	3TS91 48-01-8K
3TS50		3TS91 50-01-8K
3TS51		3TS91 51-01-8K
3TS52		3TS91 52-01-8K
3TS53		3TS91 53-01-8K
3TS54		3TS91 54-01-8K
3TS55		3TS91 55-01-8K
3TS56		3TS91 56-01-8K
3TS57		3TS91 57-01-8K



## Mounting details:

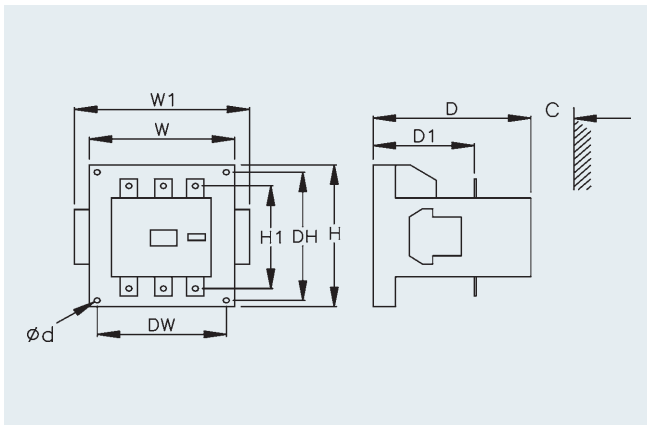


## Terminal drawing:



## Dimensional drawing:

### 3TS AC-1 Contactors



Type	Contactor Dimensions						Drilling Plan		
	W	W1	H	H1	D	D1	DW	DH	Ød
3TS48...1-8K	90	113	117	94	123	80	70	100	4.8
3TS50...1-8K	100	123	133	123	140	89	80	110	5.5
3TS51...1-8K	120	143	150	139	154	93	100	130	6.3
3TS52...1-8K	120	143	150	139	154	93	100	130	6.3
3TS53...1-8K	135	158	180	159	188	115	110	160	7
3TS54...1-8K	135	158	180	159	188	115	110	160	7
3TS55...1-8K	150	168	205	168	201	132	120	180	9
3TS56...1-8K	160	183	200	182	222	150	130	180	9
3TS57...1-8K	160	183	210.5	182	222	150	130	180	9

Note: Minimum clearance from insulated components, C = 3mm  
Minimum clearance from earthed components, C = 10mm



# Your partners

## Sales offices:

**Ahmedabad**  
3rd Floor, Prerna Arbour  
Girish Coldrinks Cross Roads, Navrangpura  
Ahmedabad - 380 009  
☎ : +91 79 30927600  
Fax: +91 79 30927699

**Baroda**  
Ground Floor, Urja Bhavan  
Opp.Makarपुरa Railway Station, Maneja  
Vadodara - 390 013  
☎ : +91 265 3957701  
Fax: +91 265 3039190

**Bengaluru**  
1st Floor, Jyoti Mahal, No. 49, St. Marks Rd.  
Bengaluru - 560 001  
☎ : +91 80 33422000  
Fax: +91 80 33424131

**Chandigarh**  
SCO 188/191, 3rd Floor, Sector-17 C  
Chandigarh - 160 017  
☎ : +91 172 4690300  
Fax: +91 172 4690399

## Territory managers:

**Aggra**  
31, Maitri Bagh, Dayal Bagh  
Aggra - 282005, UP  
Mobile: +91 7619047999  
E-mail: achint.mathur@siemens.com

**Angul**  
Flat No. 209, Block - B, 2nd Floor  
OM Residency, Gandhi Marg  
Infront of Kalyani Nursing Home  
Angul, Odisha - 759122  
Mobile: +91 9437114662  
E-mail: sudipta.garnayak@siemens.com

**Aurangabad**  
Flat No. 603, Building A2  
Disha Sanskriti Sillicity, Palthan Road  
Aurangabad - 431001 (MH)  
Mobile: +91 7720032974  
E-mail: Prashant.Joshi@siemens.com

**Belgaum**  
H.No.713, Narvekar Lane, Shahpur  
Belgaum - 590003, Karnataka  
Tel. : +91 0831 2495156  
Mobile: +91 9740277991  
E-mail: anand.gawade@siemens.com

**Belgaum**  
Flat No. 7, 2nd Floor, Jyotirling Plaza  
Congress Road, Thilakwadi  
Belgaum - 590011, Karnataka  
Mobile: +91 7259400100  
E-mail: prathish.t.m@siemens.com

**Bharuch**  
Gold B, 804, Samruddhi Residency  
Opp.Zadeshwar Bus Stop, Zadeshwar Road  
Bharuch - 392011  
Mobile: +91 9429937805  
E-mail: kalpeshkumar.darji@siemens.com

**Bhilai**  
Clo. Mr. Anil Dhusia, Qtr No. 4A, Street 33  
Sector - 4, Bhilai - 490001  
Mobile: +91 7869922211  
E-mail: pravin.deshbhara@siemens.com

**Bhopal**  
Flat No. 104, Sagor Home Phase-2  
Sarvadhama Society, Sector A  
Nayapura Road  
Bhopal - 462042, Madhya Pradesh  
Mobile: +91 997728084  
E-mail: prajwal.khapekar@siemens.com

**Bhubaneswar**  
104 Sector 5, Niladri Vihar, Chandrasekharapur  
Bhubaneswar, Odisha - 751021  
Mobile: +91 7399638488  
E-mail: ravi.modi@siemens.com

**Bhubaneswar**  
Plot No. 233, Shahid Nagar  
Bhubaneswar - 751007  
Mobile: +91 7894436373  
E-mail: somnath.manna@siemens.com

**Bhubaneswar**  
Plot No. 486, Flat No. 302  
Archid Royal Apartment, Nageswar Tangi  
Bhubaneswar - 751002, Odisha  
Mobile: +91 9040001343  
E-mail: pm.barik@siemens.com

**Boisar**  
Flat No. A-21, Sai Sagor CHS  
MAHADA Colony, Chitrayalaya Road  
Boisar - 401506  
Mobile: +91 9819231892  
E-mail: debashis.biswas@siemens.com

**Cochin**  
K.G.Oxford Business Centre  
3A, Shreekanth Rd., Ravipuram  
Cochin - 682016  
Tel.: +91 402861122  
Mobile: +91 9846006580  
E-mail: girish.v\_nair@siemens.com

**Cochin**  
K.G.Oxford Business Centre  
3A, Shreekanth Road, Ravipuram  
Cochin - 682016  
Mobile: +91 9526065551  
E-mail: abhishhek.tyagi@siemens.com

**Chennai**  
4th Floor, ETA Mount Central  
Seethakathi Business Centre, Mount Road  
Chennai - 600006  
☎ : +91 44 30474000  
Fax: +91 44 30474080

**Coimbatore**  
1st Floor, "Senthil Towers"  
1078, Avinashi Road  
Coimbatore - 641018  
☎ : +91 422 3076300  
Fax: +91 422 3076310

**Gurgaon**  
Plot No. - 78, Tower - B  
Jagatjit Industries Building (JIL)  
Opposite SBI Academy, Sector-18  
Gurgaon - 122015  
☎ : +91 124 2842000, 3810200

**Cochin**  
K.G.Oxford Business Centre  
3A, Shreekanth Road, Ravipuram  
Cochin - 682016  
Mobile: +91 9656690111  
E-mail: vinu.pillai@siemens.com

**Durg**  
Plot No. 18 Anand Vihar Phase-1  
Borsi South, Durg - 491001, (CG)  
Mobile: +91 9425016197  
E-mail: jitendra.potdar@siemens.com

**Durgapur**  
C-5, Pritilata Wadaredbithi, City Centre  
(Near Nursing Home), Durgapur - 713216  
Mobile: +91 9874577667  
E-mail: subhasish.dey@siemens.com

**Gandhidham**  
Plot No. 299, Ward 3A, Adipur  
Gandhidham - 370205, Gujarat  
Mobile: +91 9099010323  
E-mail: Vismay.pandya@siemens.com

**Goa**  
House No. S-2, Classque Appartment  
Porvarim, Goa - 403501  
Mobile: +91 7722008113  
E-mail: jitihn.jacob@siemens.com

**Gulbarga**  
Flat No.13, 3rd Floor, Shubha Residence  
Deshmukh Layout, Drajmapur, Kalaburagi  
Gulbarga District - 585103 Karnataka  
Mobile: +91 7259661717  
E-mail: anirudh.ganta@siemens.com

**Guwahati**  
H.No. 20, Ushanagar, Dispur Supermarket  
Guwahati - 781006, Assam, India  
Mobile: +91 9874484442  
E-mail: subhajyoti\_majumder@siemens.com

**Guwahati**  
H.No. 20, Ushanagar, Dispur Supermarket  
Guwahati - 781006, Assam, India  
Mobile: +91 9903200417  
E-mail: Amitava.Mondal@siemens.com

**Haridwar**  
Plot No. 3B, House No. 229/30  
Deep Ganga Apartments, Sector-5A, SIDCUL  
Haridwar - 249403, UP  
Mobile: +919839102434  
E-mail: shagun.gupta@siemens.com

**Hospet**  
Rammanand Residency, Flat No. 204  
1st Main, Nehru Co-op Colony  
Hospet - 583203, Karnataka  
Mobile: +91 9901400227  
E-mail: roy.sanjib@siemens.com

**Hospet**  
Mahima's, Door No.1288, 9th Ward  
Near Markendeshwara School  
M.P.Prakash Nagar  
Hospet - 583201 Distt Bellary, Karnataka  
Mobile: +91 9945859004  
E-mail: nagaraj.r@siemens.com

**Hospet**  
# 727, Lakshmi Narasimha Nilaya  
Near Surbhi Kalyana Mantapa  
Amaravathi, Hospet - 583203  
Mobile: +91 9741114877  
E-mail: naveen.r@siemens.com

**Hosur**  
# B2, "Sunshine" 1st Floor  
Sipcot Housing Colony, Dharga  
Hosur - 635126, Tamilnadu  
Mobile: +91 9880213880  
E-mail: kamalanaban.tv@siemens.com

**Hubli**  
# 21, Sri Mallikarjuna Nilaya, 1st Floor  
Somanagowdara Layout, Bengeri Extension  
Hubli - 580023, Karnataka  
Mobile: +91 9880003724  
E-mail: kr.purushottam@siemens.com

**Indore**  
Datyamitra Rajlaxmi Nature  
D-410, Near Surya Temple, R R CAT  
Pithampur Road, Indore - 452012  
Mobile: +91 9977236899  
E-mail: raghvendra.bhadouria@siemens.com

**Hyderabad**  
5-9-19, 4th & 5th Floor  
Laxmi Narasim Estate  
Opp. Secretariat Road  
Saifabad  
Hyderabad - 500 004  
☎ : +91 40 30922500  
Fax: +91 40 30923145

**Jaipur**  
6, Park Street  
Opp. Pink City Petrol Pump  
M.I.Road  
Jaipur - 302 006, Rajasthan  
☎ : +91 141 5152108  
Fax: +91 141 2370482

**Jamshedpur**  
"Roshan Tower"  
Main Road, Bistupur (2nd Floor)  
Jamshedpur - 831001  
☎ : +91 657 6682201

**Indore**  
Clo. Mr. Mahendra Nandedkar  
Plot No. CH-30, Scheme No. 74, Vijay Nagar  
Near Prestige College, Indore - 452010  
Mobile: +91 9049149199  
E-mail: kulkarni.shridhar@siemens.com

**Jaipur**  
Kirtan Enclave, Flat No. 316, C Block  
Jaipur Keonjhar Road, Jaipur  
Odisha - 755019, Chhordha Chaak  
(Nearest Land Mark - SBI ATM counter)  
Mobile: +91 9937189624  
E-mail: probir.mukherjee@siemens.com

**Jalandhar**  
H.No. 140, Ground Floor, Defence Colony  
Jalandhar, Punjab - 144001  
Mobile: +91 8427979870  
E-mail: himanshu.kaushik@siemens.com

**Jammu**  
H.No. 1A, Sector-1 Extension  
Friends Colony, Near Marble Market  
Trikuata Nagar Extension, Jammu - 190012  
Mobile: +91 9888851497  
E-mail: chander.parkash@siemens.com

**Jodhpur**  
D-212, Near Sai Baba Mandir  
Shankar Nagar, Pal Road, Jodhpur - 342007  
Mobile: +91 766590333  
E-mail: jain.nitin@siemens.com

**Kanpur**  
Flat No.702, Pushpi Apartments  
Sharda Nagar, Kanpur - 208025, UP  
Mobile: +91 8650404404  
E-mail: shashibhushan.prasad@siemens.com

**Kolhapur**  
RS No. 84-1, Pinac Prasad, Fl. No. A-35  
New Palace Road, Kolhapur - 416006  
Mobile: +91 9850836839  
E-mail: vinay.todkar@siemens.com

**Kota**  
406, Manglayatan Apartment  
Near Jain Temple, Bhimganj Mandi  
Kota - 324002  
Mobile: +91 9828419111  
E-mail: avinash.mathur@siemens.com

**Ludhiana**  
H.No. 1858, First Floor, Sector-32A  
Ludhiana - 141008, Punjab  
Mobile: +91 9876047929  
E-mail: sunil.singla@siemens.com

**Ludhiana**  
H.No. 728, First Floor, Sector-33,  
Chandigarh Rd., Ludhiana - 141010, Punjab  
Mobile: +91 9878094677  
E-mail: rohit.bhardwaj@siemens.com

**Ludhiana**  
R-115, Near DAV School  
Sarabha Nagar Extension, Phase-2  
Pakhowal Road, Ludhiana, Punjab - 142022  
Mobile: +91 9888484066  
E-mail: padam.sharma@siemens.com

**Madurai**  
Anirudh Block F-Top 3  
Vasudhara Apartment, 84, TPK Main Road  
Andalpuram, Madurai - 625 003  
Tamil Nadu  
Mobile: +91 9894617776  
E-mail: sivaprakasam.r@siemens.com

**Mangalore**  
Flat No. 4H55/C, Door No. 1-17/3B1  
Derbal, Konchadi, Land Links Township  
Mangalore - 575008  
Mobile: +91 9980929254  
E-mail: sagar.h@siemens.com

**Meerut**  
E-205, Ansal Courtyard, Roorkee Bypass  
Modipuram, Meerut - 250110, UP  
Mobile: +91 9720999887  
E-mail: singh.vineet@siemens.com

**Meerut**  
C-904, Ansal Courtyard, Roorkee Bypass  
Modipuram, Meerut - 250110, UP  
Mobile: +91 9999702981  
E-mail: shailendra.kumar@siemens.com

**Kolkata**  
5th Floor, Infinium Digispace  
CP-15, Sector V, Salt Lake  
Kolkata - 700091  
☎ : +91 33 30171911  
Fax: +91 33 30171328

**Lucknow**  
510-511, 5th Floor, Shalimar Titanium  
Plot No. TC.G-1/1, Vibhuti Khand  
Gomti Nagar, Lucknow  
Uttar Pradesh 226010  
☎ : +91 522 4031039

**Mumbai**  
Business Centre-1  
Thane Belapur Road  
Thane - 400 601  
☎ : +91 22 39663000  
Fax: +91 22 39663721

**Nashik**  
414, Rajdhar Bhandhu, Ghankar Lane  
Ravivar Peth, Nashik - 422001  
Mobile: +91 9822193204  
E-mail: rushikesh.rajdhar@siemens.com

**Nashik**  
Flat No. A-4203, Brindavan Gardens  
Kedar Nagar, Shramik Nagar  
Near Satpur MIDC, Nashik - 422012  
Mobile: +91 9619620068  
E-mail: jugal.shah@siemens.com

**Neemrana**  
Flat No. F111, Anantraj Aashray Apartment  
Plot No. 236 Japanese Zone  
Neemrana - 301705, Dist.- Alwar  
Mobile: +91 9650481919  
E-mail: deepak.beniwal@siemens.com

**Patna**  
Swastik Enclave, Flat No. 102  
Ram Jaipal Nagar, Road No. 9, Gola Road  
Bailly Road, Patna - 801503  
Mobile: +91 9771414108  
E-mail: vikash.prasad@siemens.co.

**Pondicherry**  
R.A.M Paradise, II Floor, No.4, 2nd Cross  
Kamban Nagar, Reddiarpalayam  
Puducherry - 605010  
Mobile: +91 9716609374  
E-mail: gopalakrishnan.shanmugam@siemens.com

**Raipur**  
103 Risabh Regency  
Near Shri Medishine Hospital  
New Rajendra Nagar Raipur(C.G) - 492001  
Mobile: +91 9425601849  
E-mail: raghuraj.bisen@siemens.com

**Rajamahendravaram**  
Flat No. 401, SVR Residency  
77-2-29/3, Gandhipuram-3  
Rajamahendravaram - 531106, A.P.  
Mobile: +91 9948664228  
E-mail: naga.ganesa@siemens.com

**Rajkot**  
301, Snowhill Apartment  
Near Golden Supermarket, Amin Marg  
Rajkot - 360007, Gujarat  
Mobile: +91 9909904993  
E-mail: piyush.thaker@siemens.com

**Ranchi**  
H.No. 1858, First Floor, Sector-32A  
Ludhiana - 141008, Punjab  
Mobile: +91 9876047929  
E-mail: sunil.singla@siemens.com

**Ranchi**  
2/44 New Area Gandhi Nagar  
Flat Name - Lila Raj Sadhan, 2nd Floor  
Hinoo, Ranchi - 834002  
Mobile: +91 7766906595  
E-mail: bikram.sarkar@siemens.com

**Renukoot**  
Raj Bhawan (Near Khatu Shyam Mandir)  
Awadh Colony, Murdwa, Renukoot  
Sonebhadra - 231217, UP  
Mobile: +91 9889384222  
E-mail: umesh.pandey@siemens.com

**Rourkela**  
D/7, Gafoor Colony, Ground Floor  
Near LIC Office, Uditi Nagar  
Rourkela - 769012, Odisha  
Mobile: +91 9776967773  
E-mail: prakhar.chaturvedi@siemens.com

**Rourkela**  
N/6, Flat No. 3A, Civil Township  
Opposite Hi-tech Medical College & Hospital  
Rourkela, Odisha - 769004  
Mobile: +91 9937972407  
E-mail: shouvik.mitra@siemens.com

**Rudrapur**  
Flat No. 202, Tower Indus 'B'  
Omaxe Reviera Ltd.  
Rudrapur - 263153, Uttarakhand  
Mobile: +91 9918002525  
E-mail: atul.shukla@siemens.com

**Nagpur**  
5th Floor, Land Mark Building  
Wardha Road, Ramdas Peth  
Nagpur - 440 010  
☎ : +91 712 3093000  
Fax: +91 712 3093111

**Pune**  
Tower B/701-705, ICC Trade Tower  
403A, Senapati Bapat Road  
Pune - 411016  
☎ : +91 20 30466000  
Fax: +91 20 30466066

**Vishakhapatnam**  
2nd Floor, 30-8-47  
Lakshmi Narasimha Towers  
Banu Street, Daba Gardens  
Visakhapatnam - 530 020  
Andhra Pradesh  
☎ : +91 891 3050200  
Fax: +91 891 3050222

**Rudrapur**  
Flat No. 104, Tower Rhone 'C'  
Omaxe Reviera Ltd.  
Rudrapur - 263153, Uttarakhand  
Mobile: +91 9621070111  
E-mail: abhinav.rastogi@siemens.com

**Salem**  
Rajagiraham, Lumbini Illam  
No. 20, Palaniappa Nagar Hasthampatti  
Salem - 636007  
Mobile: +91 8754922245  
E-mail: g.suresh@siemens.com

**Siliguri**  
Clo. Radhagobindo Paul  
Syed Mustafa Ali Road,  
Raja Ramnohan Roy Road, Hakimpara  
Ward Number XV, Dist. Darjeeling - 741201  
Mobile: +91 9932276294  
E-mail: dibyojyoti.karmakar@siemens.com

**Sonepat**  
H.No. 1103, 1st Floor, Sector-14  
Sonepat, Haryana - 131001  
Mobile: +91 985526122  
E-mail: kumar.manish@siemens.com

**Sriperumbudur**  
2/32 Block, 3rd Floor, Flat No. 31  
TVH Svaya apartments  
Near Vengadu Village, Kundrathur Road  
Sriperumbudur - 602105  
Mobile: +91 9884102638  
E-mail: venkatesh.janakiraman@siemens.com

**Surat**  
B/A, Navrachana Society, Opp.D.K.Park  
3hara Nagar, Surat - 395001  
Mobile: +91 9855510191  
E-mail: mitul.kapadia@siemens.com

**Surat**  
A-604, Stuti Universal, Green City Road  
Pal-Adajan, Surat - 395009, Gujarat  
Mobile: +91 9712445504  
E-mail: harshwardhan.mishra@siemens.com

**Trichy**  
1/1209-B, 6th Cross Street, West Extension  
Narasayan Nagar, Fetteai Vaikkal, Vayalloor Road  
Trichy - 620102  
Mobile: +91 97176609375  
E-mail: Muthu.kumar@siemens.com

**Trivandrum**  
Flat No. A-101, 1st Floor  
Sundaram Apartment, Kilburn Colony  
Hinoo, Ranchi, Jharkhand - 834002  
Mobile: +91 8294052647  
E-mail: shyamal.bhattacharyya@siemens.com

**Udaipur**  
2/44 New Area Gandhi Nagar  
Flat Name - Lila Raj Sadhan, 2nd Floor  
Hinoo, Ranchi - 834002  
Mobile: +91 7766906595  
E-mail: bikram.sarkar@siemens.com

**Ujjain**  
Tirupati Hights, B-Block, Flat No. 206  
Nana Kheda, Ujjain-Indore Road  
Ujjain - 456010 (MP)  
Mobile: +91 8889911401  
E-mail: bhadauria.amit@siemens.com

**Vapi**  
Flat No. 201, Gayatri Building  
Near Jalaram Temple, NH 8  
Vapi, District Valsad - 396195  
Mobile: +91 968768690  
E-mail: pandey.abhishek@siemens.com

**Vapi**  
Shubham Tower No.3, 'C' Wing  
Flat No.1006, Chala, Vapi Daman Road  
Vapi, District Valsad - 396195  
Mobile: +91 9825147957  
E-mail: s.anand@siemens.com

**Vijayawada**  
Laxmi Nivas, 1st Floor, Flat No. FF2  
44/3 & 44/2, Plot No. 08  
Sundarayya Nagar, Payakapuram  
Vijayawada - 520015, Andhra Pradesh  
Mobile: +91 9642351144  
E-mail: venkateswar.d@siemens.com

Siemens Ltd.

Digital Factory

Control Products

R&D Technology Centre

Kalwa Works, Thane Belapur Road, Thane - 400 601

Fax: +91 22 33265627

For more information contact toll free 1800 209 1800

E-mail: lvsgr-mktg.india@siemens.com

www.siemens.co.in

XX-XXX-XXX

Customer Care Toll free no. 1800 209 067

Email: ics.india@siemens.com

Product upgradation is a continuous process. Hence, data in this catalog is subject to change without prior notice. For the latest information, please get in touch with our Sales Offices.