

SIEMENS		Data Sheet : Induction Motor Champion Series Motor Type : 1LA2 130-2NA80				
Number of Phases		3				
Rated Output kW		5.5				
Rated Voltage V		415				
Rated Current A		9.6		Reference Standard	IS:12615	
Rated Speed rev/min		2950		Enclosure IS:4691	IP55	
Rated Frequency Hz		50		Cooling IS:6362	IC411	
Rated Torque		1.8 kgf.m / 18 Nm		Duty	S1	
Efficiency :	100% load %	89.2		Terminal Box Data	Type	1XB0 132
	75% load %	88.7			Terminal Size	M5
	50% load %	85.0			No. of Terminals	6
Power Factor :	100% load %	0.89		Bearing Data	Max. Cable Section	mm ² 2R 3½C 16mm ²
	75% load %	0.86			Drive End	6208ZZ
	50% load %	0.78			Non-Drive End	6208ZZ
Insulation Class		F		Lubrication	Pre-Lubricated	
Temperature rise (Res.method) K		70			Life L10 hrs. #	50,000
Locked rotor withstand time	Hot (s)	9		Lifting eyebolt IS:4190		M10
	Cold (s)	20		Motor weight (approx.) kg		61
Stator connection		DELTA		Rotor	GD ² (4x MI) kgf.m ²	0.0583
Rotor Class		KL16			Weight kg	24.4
Ratio of starting current to the rated current				Construction IS:2253		IMB3
Ratio of starting torque to the rated torque	100% voltage	7.5		Frame designation		132S
	80% voltage	5.6				
					Ambient Temperature °C	50
Ratio of Breakdown torque to the rated torque	100% voltage	3.0		Voltage Variation % ± 10		
	80% voltage	1.8		Frequency variation % ± 5		
				Combined Voltage & Frequency variation % 10		
				# For directly coupled drives		
				Data subject to tolerance as per IS:12615.		
Remarks : Unique Identification Code: UIC-521909 <--- This code must match with the one on Characteristic Curves Sheet.						
KALWA, INDIA Department : I DT LD P LV-Motors		Reference Document MTR 2.6-182		Printed & Checked : Date : 19.12.2012		Release Date Aug '2011

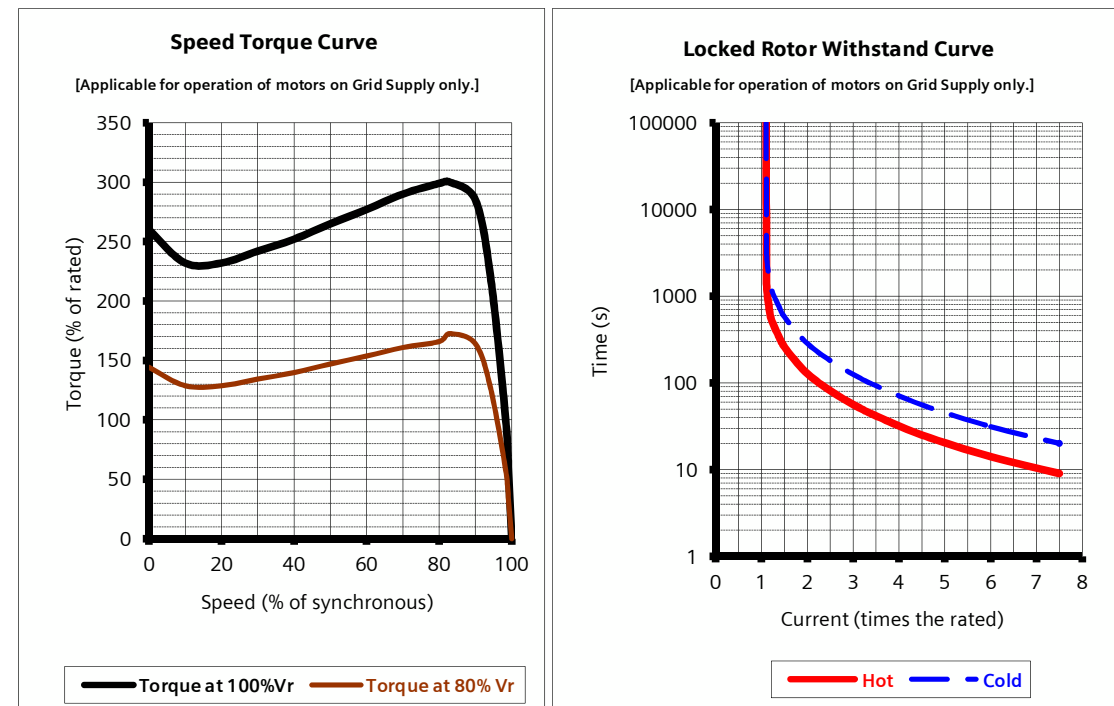
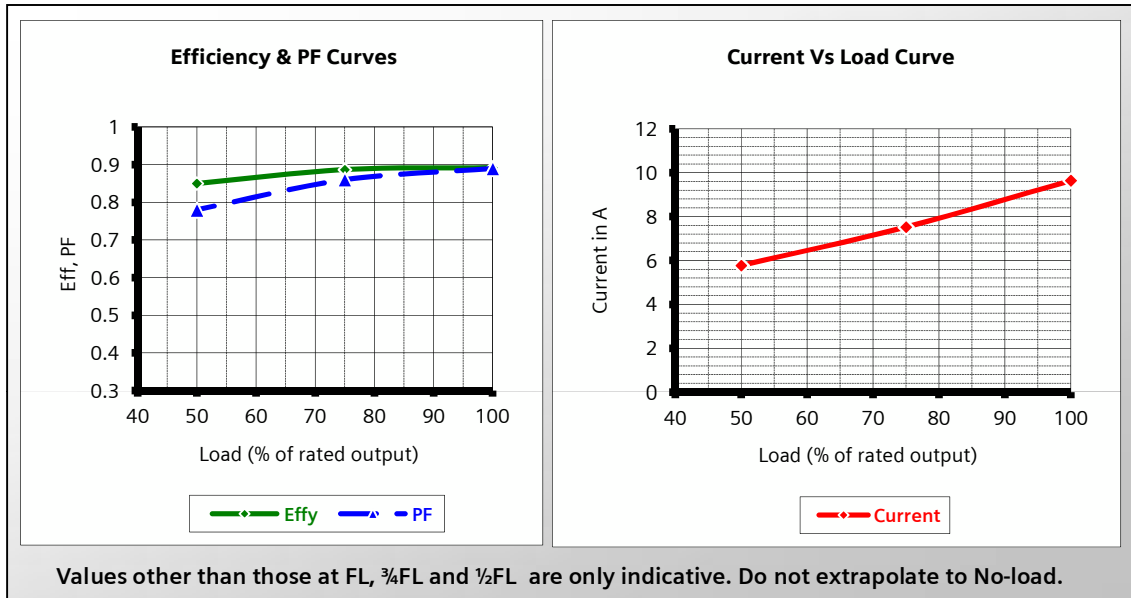
Unique Identification Code: UIC-521909 <-- This code must match with the one on the Data Sheet.

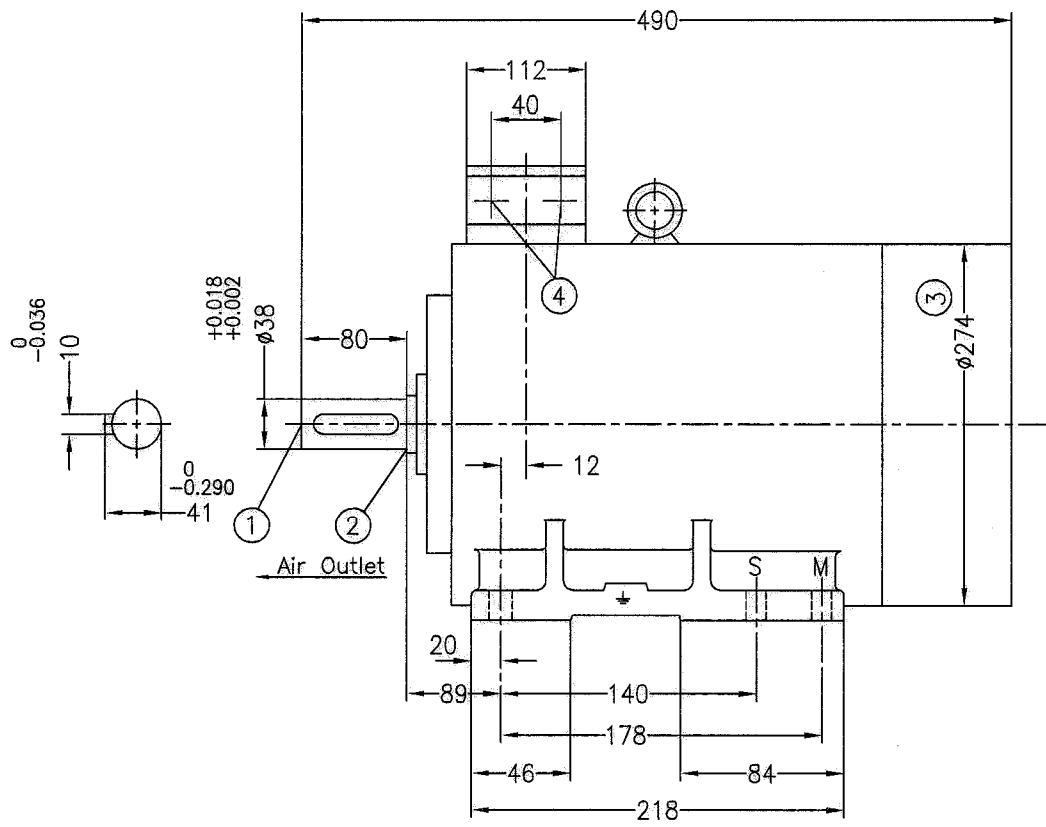
Motor Type : 1LA2 130-2NA80 Voltage : 415VΔ Rated Speed : 2950 rev/min
 Output : 5.5 kW Frequency : 50Hz Rated Torque : 1.8 kgf.m / 18 Nm
 Rated Current: 9.6A

% Load	FL	¾FL	½FL
Efficiency	89.2%	88.7%	85.0%
Power Factor	0.89	0.86	0.78

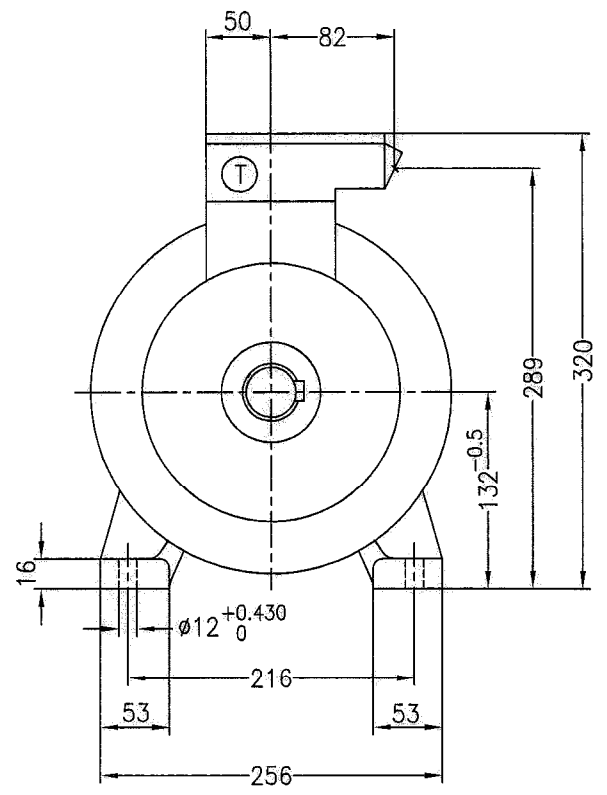
Locked Rtr Curr	7.5 x Rated
LRWT HOT	9 s
LRWT COLD	20 s

DATA SUBJECT TO TOLERANCE AS PER IS : 12615.





Air Inlet



- ① Shaft extension $\phi 38_{k6} \times 80$ with protected centre hole M12x28
- ② Relief groove E1x0.2 as per IS:3428
- ③ Measured over bolt heads
- ④ 2 Nos. B.S. Conduit Entry 25.4 (1.0") - IS:1653

Ⓣ Terminal Box Type : 1XB0 132
suitable for max. cable conductor cross-section(mm²): 16.

132S/M			IM-B3		
Frame Designation			Applicable for Construction		
Drawn	Date	Name		Dimensional Diagram Type: 1SE0/1LA2 013...N	Scale NTS
Checked					
Std. CHD.					
Dim. without tolerance as per very coarse IS:2102			SIEMENS LTD MOTORS	DRG No. 4D-2713-50-0242317-101	
			REF DRG NO.		