

**Slim, Sleek
and Stylish**

minigard

— DISTRIBUTION BOARDS



SIEMENS

Minigard Distribution Board

Aesthetically designed Distribution Boards that blend with all interiors

Siemens Distribution Boards provides total circuit protection and control for both domestic commercial and industrial applications. The most compact DB range is designed for housings, shops, offices and many other commercial applications. The range offers a choice of incoming devices via Isolators, MCBs or RCCBs and a choice of enclosures from four way to twelve way, in single and double door designs. [For detailed information on available configuration & dimensions please refer from page no 4 to 11]

Design :

Siemens Distribution Boards in sheet steel have been specifically designed, keeping in view the interiors of modern day houses and commercial establishments.

The minimum depth of Siemens MCB, is only 55mm. As a result the Distribution Boards are of the most shallow depth 62 and 90 mm in single door and double door design respectively.

This enables the Distribution Boards to be installed even in single brick walls!

Installation :

Adequate numbers of knock-out detachable plates of various sizes are provided both at the top and at the bottom. This enables easy installation and connection of conduits of all sizes.

In case of double door design, a specially designed hinge enables the door to be opened up to 120° for total ease of operation. During wiring/ installation, the door along with the intermediate plate can be completely removed if required.

For total ease of operation, the door is secured to the housing by means of a magnetic latch. Only a slight pull opens the door.



Construction :

The Distribution Boards are manufactured, with precision, out of extra thick, high quality CRCA steel sheets for lasting strength and fine finish. IP 20/IP 42 protection shall be offered for single door and double door execution respectively. All DBs are manufactured with 16/18SWG. The Distribution Boards are supplied duly fitted with DIN-channel, neutral links, busbars and connecting wires.

Finish :

The Distribution Boards have been treated with premier quality powder coating using latest techniques. The enclosures are subjected to the seven tank process to ensure smooth finish and protection against corrosive atmosphere.

Double Door Concept for Aesthetic and Safety

To ensure total safety, an intermediate plate has been introduced so that even when the door is opened, no live parts are exposed. The door is earthed through a copper braid, for total safety.

Features at a glance :

- Compact design, lowest depths of 62mm and 76mm which fits into single brick wall for flush mounting.
- Removable knockout plate at the top and bottom side with sufficient knockout holes.
- Attractive styling and finish matches any decor in houses, flats or offices.
- Fully removable assembly enables quick installation and improves access for ease of cabling.
- Latest powder coated techniques prevent corrosion and is scratch resistant.
- Shorting Links/Busbar made up of Tinned Electrolytic Copper to accept Minigard MCBs, RCCBs and Isolators.
- Brass neutral links accepts cable termination up to 16 sq.mm.
- Effective earthing of DB body with two earthing terminals. Earthing of the door with the help of Copper Braid.
- Can accommodate 5SQ, 5SX, 5SJ, 5SP MCBs & 5SM, 5SU RCDs and complete range of modular devices.



Slim, Sleek and Stylish

Slim: Lowest depth which fits into single brick wall.

Sleek: Vertical design distribution board which can be fitted in just 250mm width area.

Stylish: Aesthetically designed distribution boards that blends with all interiors.



Selection and Type Reference

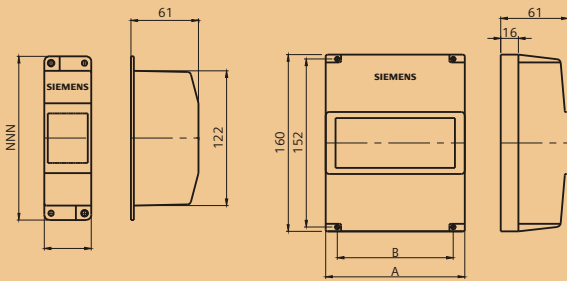
Plastic Enclosure (8GB000)



Configuration

Type ref	No of ways
8GB0002	1/2 way
8GB0004	3/4 way
8GB0006	6 way

Dimensional Details



Dimension (mm)

Model	A	B
8GB0002	40	30
8GB0004	90	80
8GB0006	126	105

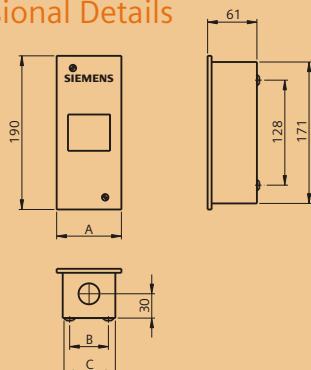
Sheet Steel Enclosure (8GB010)



Configuration

Type ref	No of ways
8GB0101	1/2 Way
8GB0103	3/4 Way

Dimensional Details



Dimension (mm)

Model	A	B	C	Knock out Per side (Top & Bottom) Ø26
8GB0101	85	48	70	1
8GB0103	105	68	90	2

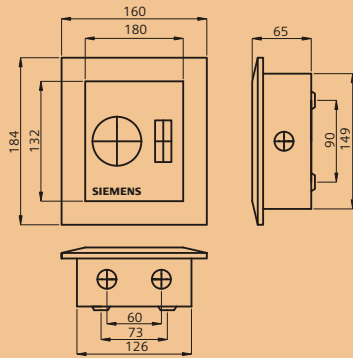
Single Phase Plug and Socket (8GB0501)



Configuration

Type ref	Provision for
8GB0501RC	SP MCB
8GB0501SRC	DP MCB

Dimensional Details



Dimension (mm)

Model	Cutout Width
8GB0501RC	18
8GB0501SRC	36

* 2 Pin Plug
 2 Knock outs of Ø21 on Top & Bottom
 1 Knock out of Ø21 on per Side flap

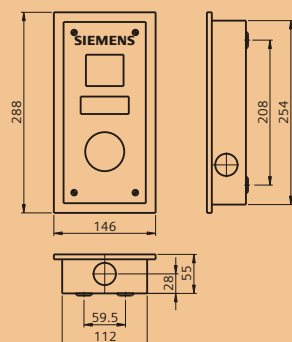
Three Phase Plug and Socket (8GB0502)



Configuration

Type ref	Provision for
8GB0502RC	TP MCB
8GB0502SRC	TPN MCB

Dimensional Details



Dimension (mm)

Model	Cutout Width
8GB0502RC	54
8GB0502SRC	72

* 3 Pin Plug
 1 Knock outs of Ø32 on Top & Bottom
 1 Knock out of Ø32 on per Side flap

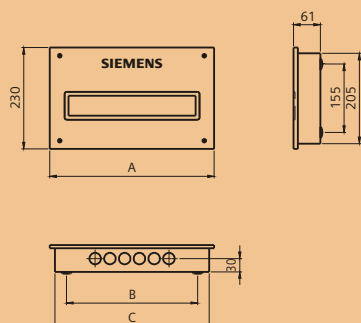
SD SPN Consumer DB (8GB01)



Configuration

Type Ref	No of slots
8GB0104	4
8GB0106	6
8GB0108	8
8GB0110	10
8GB0112	12
8GB0116	16

Dimensional Details



Dimension (mm)

Model	A	B	C	Knock out Per side (Top & Bottom) Ø26
8GB0104	157	82	132	2
8GB0106	193	118	168	3
8GB0108	229	154	204	3
8GB0110	265	190	240	4
8GB0112	301	226	276	5
8GB0116	373	298	348	6

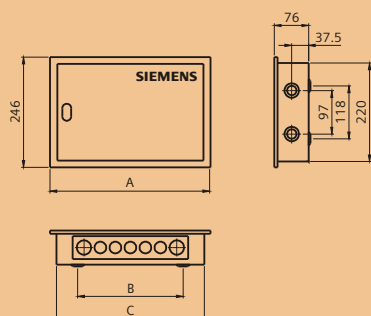
DD SPN DB (8GB02)



Configuration

Type Ref	No of ways	I/C Slots	O/G Slots	Total
8GB0204	4	2	4	6
8GB0206	6	2	6	8
8GB0208	8	2	8	10
8GB0212	12	2	12	14
8GB0214	14	2	14	16

Dimensional Details



Dimension (mm)

Model	A	B	C	Knock out		
				Per side (Top & Bottom)		Per side flap Ø32 & Ø21
				Ø32	Ø26	
8GB0204	214	118	186	2	2	2
8GB0206	250	135	222	2	3	2
8GB0208	288	165	258	2	3	2
8GB0212	358	235	330	2	5	2
8GB0214	390	240	370	2	5	2

DD TPN Horizontal DB (8GB04 HRC)

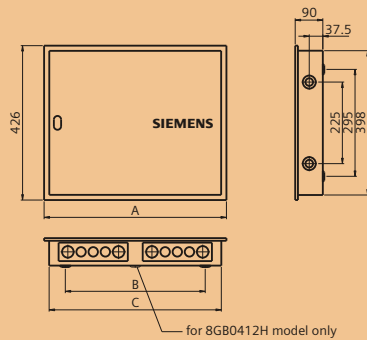


Configuration

Type Ref	No of ways/Ph	I/C Slots	O/G Slots	Total
8GB0404HRC	4	8	3 x 4	20
8GB0406HRC	6	8	3 X 6	26
8GB0408HRC	8	8	3 X 8	32
8GB0412HRC	12	8	3 X 12	44



Dimensional Details



Dimension (mm)

Model	A	B	C	Knock out		
				Per side (Top & Bottom)		Per side flap Ø32 & Ø21
				Ø32	Ø26	
8GB0404HRC	382	258	354	2	5	2
8GB0406HRC	382	258	354	2	5	2
8GB0408HRC	503	386	475	4	6	2
8GB0412HRC	650	520	622	4	8	2

DD TPN Horizontal per Phase Neutral Link DB (8GB04 HRC)

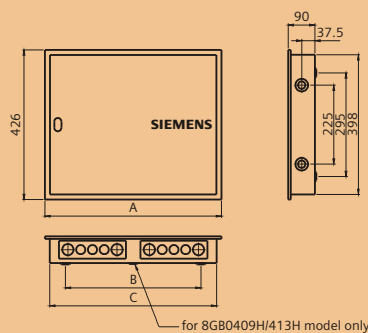


Configuration

Type Ref	No of ways/Ph	I/C Slots	O/G Slots	Total
8GB0405HRC	6	8	2*+ 3 X 4	26
8GB0407HRC	8	8	2*+ 3 X 6	32
8GB0409HRC	10	8	2*+ 3 X 8	38
8GB0413HRC	14	8	2*+ 3 X 12	50

*Provision for RCCB as sub incomer per phase

Dimensional Details



Dimension (mm)

Model	A	B	C	Knock out		
				Per side (Top & Bottom)		Per side flap Ø32 & Ø21
				Ø32	Ø26	
8GB0405HRC	382	258	354	2	5	2
8GB0407HRC	503	386	475	4	6	2
8GB0409HRC	650	520	622	4	8	2
8GB0413HRC	650	520	622	4	8	2

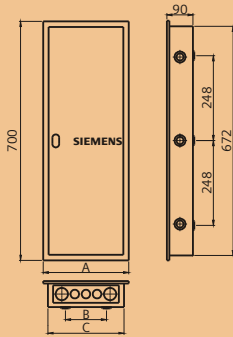
DD TPN Vertical DB (8GB04 VRC)



Configuration

Type Ref	No of ways/Ph	I/C Slots	O/G Slots	Total
8GB0404VRC	4	8	3 X 4	20
8GB0406VRC	6	8	3 X 6	26
8GB0408VRC	8	8	3 X 8	32
8GB0412VRC	12	8	3 X 12	44

Dimensional Details



Dimension (mm)

Model	A	B	C	Knock out		
				Per side (Top & Bottom)		Per side flap Ø32 & Ø21
				Ø32	Ø26	
8GB0404VRC	250	120	222	2	3	3
8GB0406VRC	250	120	222	2	3	3
8GB0408VRC	286	155	258	2	3	3
8GB0412VRC	358	228	330	2	5	3

DD TPN Vertical per Phase Neutral Link DB (8GB04 VRC)

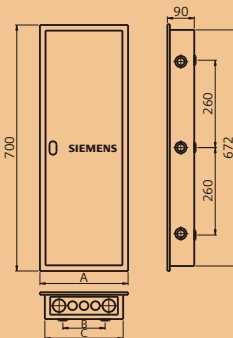


Configuration

Type Ref	No of ways/Ph	I/C Slots	O/G Slots	Total
8GB0405VRC	6	8	2*+ 3 X 4	26
8GB0407VRC	8	8	2*+ 3 X 6	32
8GB0409VRC	10	8	2*+ 3 X 8	38
8GB0413VRC	14	8	2*+ 3 X 12	50

*Provision for RCCB as sub incomer per phase

Dimensional Details



Dimension (mm)

Model	A	B	C	Knock out		
				Per side (Top & Bottom)		Per side flap Ø32 & Ø21
				Ø32	Ø26	
8GB0405VRC	286	155	258	2	3	3
8GB0407VRC	286	155	258	2	3	3
8GB0409VRC	358	228	330	2	5	3
8GB0413VRC	412	228	384	2	5	3

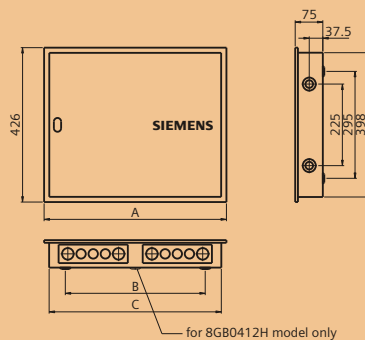
DD TPN Economy Version Horizontal DB (8GB03)



Configuration

Type Ref	No. of Ways/PH	I/C Slots	O/G Slots	Total
8GB0304H	4	4	12	18
8GB0306H	6	4	18	22
8GB0308H	8	4	24	30

Dimensional Details



Dimension (mm)

Model	A	B	C	Knock out		
				Per side (Top & Bottom)		Per side flap Ø32 & Ø21
				Ø32	Ø26	
8GB0304H	292	164	267	2	3	2
8GB0306H	364	236	339	2	3	2
8GB0308H	436	309	411	2	4	2

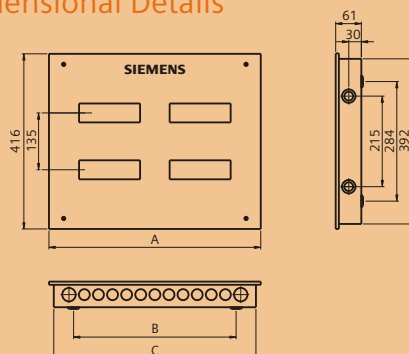
SD TPN Horizontal DB (8GB08)



Configuration

Type Ref	No of ways	I/C Slots	O/G Slots	Total
8GB0804	4	8	4	12
8GB0806	6	8	6	14
8GB0808	8	8	8	16
8GB0812	12	8	12	20

Dimensional Details



Dimension (mm)

Model	A	B	C	Knock out		
				Per side (Top & Bottom)		Per side flap Ø32 & Ø21
				Ø32	Ø26	
8GB0804	379	258	355	2	7	2
8GB0806	379	258	355	2	7	2
8GB0808	504	387	480	2	11	2
8GB0812	649	520	625	2	15	2

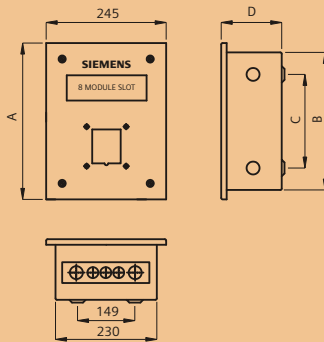
5 Pin Three Phase+N+PE Industrial Plug and Socket (8GB0503)



Configuration

Type Ref	Description	Provision for
8GB50332	32A 5 Pin (3P+N+PE) built in IP65 Socket	TPN MCB + 4 Pole RCCB
8GB50363	63A 5 Pin (3P+N+PE) built in IP65 Socket	TPN MCB + 4 Pole RCCB

Dimensional Details



Dimension (mm)

Model	A	B	C	D
8GB050332	262	255	90	75
8GB050363	262	255	85	95

DD Phase Segregated 7 Segment TPN DB (8GB05)

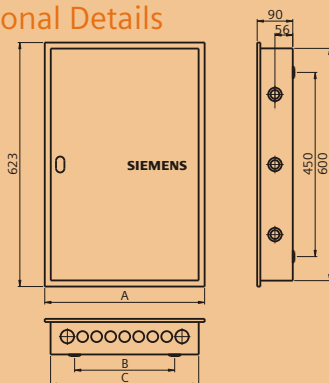


Configuration

Type Ref	No of ways/Ph	I/C Slots	O/G Slots	Total
8GB0504	4	12	4*+ 3 X 4	36
8GB0506	6	12	4*+ 3 X 6	42
8GB0508	8	12	4*+ 3 X 8	48
8GB0512	12	12	4*+ 3 X 12	60

* Provision for 2 Pole RCCB as sub in-comer per phase along with DP MCB.
(4.5 mod width provided to accommodate 63A 2P RCCB alongwith DP MCB)

Dimensional Details



Dimension (mm)

Model	A	B	C	Knock out		
				Per side (Top & Bottom)		Per side flap Ø32 & Ø21
				Ø32	Ø26	
8GB0504	451	325	425	-	6	3
8GB0506	559	433	533	-	6	3
8GB0508	667	541	641	-	6	3
8GB0512	883	757	857	-	6	3

Accessories

Single Phase Insulated Shorting Link



Configuration

No of ways	Type Ref.	No of SP MCB	Ordering Qty (Nos.)
4 Way	8GB9904LSP	4	10
6 Way	8GB9906LSP	6	10
8 Way	8GB9908LSP	8	10
10 Way	8GB9910LSP	10	10
12 Way	8GB9912LSP	12	10
14 Way	8GB9914LSP	14	10
16 Way	8GB9916LSP	16	10

	Type Ref.	Ordering Qty. (Nos.)
Blanking Plates	8GB9901	25

Note: For any kind of non-standard DBs, please contact your nearest Siemens Sales Office

Three Phase Neutral Insulated Shorting Link



Configuration

No of ways	Type Ref.	No of SP MCB	Ordering Qty (Nos.)
4 Way	8GB9904LTPN	4	5
6 Way	8GB9906LTPN	6	5
8 Way	8GB9908LTPN	8	5



Two Phase Insulated Shorting Link



Configuration

No of ways	Type Ref.	No of DP MCB	Ordering Qty (Nos.)
4 Way	8GB9904LDP	4	5
6 Way	8GB9906LDP	6	5
8 Way	8GB9908LDP	8	5

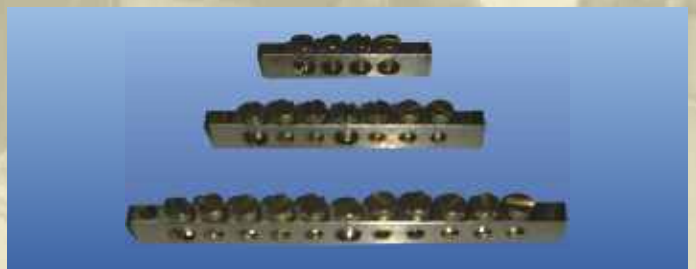
Three Phase Insulated Shorting Link



Configuration

No of ways	Type Ref.	No of TP MCB	Ordering Qty (Nos.)
4 Way	8GB9904LTP	4	5
6 Way	8GB9906LTP	6	5
8 Way	8GB9908LTP	8	5

Neutral Terminals



Configuration

Type Ref.	No of ways	Terminal details
8GB9904SNPE	4 Way	4 X M4, 2 X M5
8GB9906SNPE	6 Way	6 X M4, 2 X M5
8GB9908SNPE	8 Way	8 X M4, 2 X M5
8GB99012SNPE	12 Way	12 X M4, 2 X M5
8GB99014SNPE	14 Way	14 X M4, 2 X M5

Your Partners

Sales offices:

Ahmedabad - 380009

1st Floor, Shanti Chamber, Terapanth Marg
Opp. Dinesh Hall, Near I.T. Cross Road, Navrangpura
☎ : +91 79 27546803, 27546172
Fax: +91 79 27546711

Bangalore - 560001

1st Floor, Jyothimahal, #49, St. Marks Road
☎ : +91 80 22042000
Fax: +91 80 22224131 / 51120735

Chandigarh - 160019

SCO - 188-190, 2nd Floor
Sector 34A, Gurunanak Complex
☎ : +91 172 2666618, 2666619
Mobile: +91 9417121990

Chennai - 600034

4, Mahatma Gandhi Road
☎ : +91 44 28334000
Fax: +91 44 28334088

Coimbatore - 641018

7th Floor, East Wing, Global Towers
1057, Avinashi Road
☎ : +91 422 4336100
Fax: +91 422 4336106

Hyderabad - 500004

5-9-19, Lakshmi Narsinh Estate, 4th Floor
Secretariat Road, Opp. Secretariat, Saifabad
☎ : +91 40 23482500 (10 Lines)
Fax: +91 40 23243145 / 23243146

Kolkata - 700042

43 Shanti Palli, R B Connector
Eastern Metropolitan Bypass
☎ : +91 33 24449000, 24428641-47
Fax: +91 33 24449010 / 13

Mumbai - 400018

130, Pandurang Budhkar Marg, Worli
☎ : +91 22 24987000-02
Fax: +91 22 24987312

Nagpur - 440010

5th Floor, Landmark Building, Ramdas Peth
☎ : +91 712 6633000
Fax: +91 712 6633111

New Delhi - 110002

4A, Ring Road, I.P. Estate
☎ : +91 11 23455000-09
Fax: +91 11 23455030

Pune - 411016

Tower B / 701 - 705, ICC Trade Tower
403A, Senapati Bapat Road
☎ : +91 20 2570 6000
Fax: +91 20 2570 6060

Territory managers :

Aurangabad

Mobile: +91 9822193204
E-mail: siemens.nsk@gmail.com

Bareilly - 243001

Flat no. T1, 129, Civil Lines
Mobile: +91 9897679061
E-mail: siemens.bly@gmail.com

Baroda - 390007

1st Floor Vanijya Bhavan, Race Course Road
Mobile: +91 98255 06963
E-mail: sreejagannath.mohanta@siemens.com

Belgaum - 590005

C/o "Shrihari", 1st Floor, Plot No. 61
5th Cross, Bhagya Nagar
☎ & Fax: +91 831 2495156
Mobile: +91 9880290835
E-mail: m.imran@siemens.com

Bhilai - 490001

C/o. Mr. S. H. Siddiqui

Sector -1, Street-9, Quarter No.1A
Mobile: +91 9826127525
E-mail: siemens_chg@sify.com

Bhopal - 462023

C/o. Mr. A.K. Sundrani, Sector - D
Plot No. B-204, Meenal Residency, J.K. Road
☎ : +91 755 2688662
Mobile: +91 9425057945
E-mail: siemens@sancharnet.in

Bhubaneswar - 751003

Flat No. 4C, Aditya Palace, 218/219, Paika Nagar
☎ : +91 674 2563124
Mobile: +91 9437013124
E-mail: angshumanrc@yahoo.com

Cochin - 682016

K.G. Oxford Business Centre
39/4609, 3rd Floor, Sreekandath Road, Ravipuram
☎ : +91 484 4028611/22/33/44
Fax: +91 484 2371564
E-mail: kumchn@satyammail.com

Durgapur - 713216

A-39, Moulana Azad Sarani, 1st Floor, City Centre
☎ : +91 343 2546777
Mobile: +91 9832172046
E-mail: dgp_sldgp@sancharnet.in

Guwahati - 781003

G1, Hill View Apartment
Navagraha Path, Chenikuthi Hill Side
☎ : +91 361 2663988
Mobile: +91 9864037562
E-mail: amarnath.karmakar@vsnl.net

Hardwar - 249407

758, 1st Floor, Model Colony
Awass Vikas, Jwalapur, Uttaranchal
☎ & Fax: +91 1334 265491
Mobile: +91 9897070133
E-mail: siemens_hwd@datainfosys.net

Indore - 452001

521 Suniket Apartments
Shri Nagar Extension, Main Khajrana Road
Mobile: +91 98266 41970
E-mail: siemens_indore@yahoo.com

Jaipur - 302016

Flat No.101, Mahiraj Apartment
Basant Marg, Bani Park, Rajasthan
☎ & Fax: +91 141 2203058
Mobile: +91 9829244313
E-mail: siemens_jpr@dil.in

Jalandhar - 144002

635L, 1st Floor, Model Town, Punjab
☎ & Fax: +91 181 2460547
Mobile: +91 9814306636
E-mail: siemensjal@vsnl.net

Jamshedpur - 831005

1511, Kirthar Apartment, Vijaya Heritage, Uliyan, Kadma
Mobile: +91 99343 11352

Kanpur - 208001

Flat No.19-B, 4th Floor, Prabhu Vatika
7/109, Swarup Nagar, U.P.
☎ & Fax: +91 512 2423348
Mobile: +91 9839102434
E-mail: siemens_knp@satyam.net.in

Kolhapur - 416001

B-7, Mahagaonkar Complex
1147/E, Rajaram Road, Opp. Kamala College
☎ : +91 231 2536626
Mobile: +91 9822558876
E-mail: amol.pandit@siemens.com

Lucknow - 226001

28/45, Ashok Marg

☎ : +91 522 2231219, 2280305

Mobile: +91 9415012500
E-mail: siemens_lko@satyam.net.in

Ludhiana - 141004

54, Defence colony
near E block Gurudwara, B.R.S. Nagar
☎ : +91 161 4616813
Mobile: +91 94170 45273
E-mail: siemens_ldh@satyam.net.in

Ludhiana - 141004

House No. 228, 2nd Floor, B.R.S. Nagar
☎ : +91 161-4610776
Mobile: +91 9872000936
E-Mail: siemens.ludhiana@sify.com

Madurai - 625016

Flat No, 210, II Floor, Arunachalam Apartment
Bharathiyar 5th street, S.S.Colony
☎ & Fax: +91 452 2601305
Mobile: +91 9443369375
E-Mail: k.shankar@siemens.com

Nashik - 422101

8B, Shubhmangal Apartment, Chavan Mala, Nasik Road
Mobile: +91 9822193204
E-mail: siemens.nsk@gmail.com

Rajkot - 360005

House No 97, Street No 3, Panchvati Park
Bh: Panchvati Hall, Panchvati Society
Mobile: +91 98258 18864
E-mail: vinod_naik_sl@yahoo.co.in

Ranchi - 834 001

Flat No. 403, Rishab Towers
Near Line Tank, Behind Firyalals
Mobile: +91 99343 52756

Rourkela - 769004

T-15 Civil Town
☎ : +91 661 2400880
Mobile: +91 9437041724
E-mail: ganguly_s@yahoo.co.in

Renukoot - 231217

Room No. 1 - 2, Adjacent Jain Complex, Murdhawa
Mobile: +91 9838007897
E-mail: siemens_upeast@sify.com

Surat - 395009

Flat No: 104, A5 Block, Green Avenue Apartment, Adajan
Mobile: +91 98255 06962
E-mail: siemens.surat@gmail.com

Udaipur - 313001

Oasis Park, Flat No.303, P.P. Singhal Marg, Ambavgarh
☎ : +91 294 2430345
Mobile: +91 9829039120
E-mail: siemens@datainfosys.net

Vapi - 396195

Flat No. 302, Samrajaya IV
Royal Residency, Charwada Road
☎ : +91 260 6451156
Mobile: +91 98251 47957
E-Mail: siemens_vapi@sancharnet.in

Vijayawada - 520010

G-2, Shreya Towers, Moghalrajapuram
Near Jammichettu Centre
☎ : +91 866 5529933
Mobile: +91 9866690935
E-mail: srisachandra.kartikeya@siemens.com
kartikeya_p@rediffmail.com

Visakhapatnam - 530017

Flat No. 101, Shripral Towers, Kiralampudi Layout
Mobile: +91 9849077719
E-mail: siemensvizag@rediffmail.com

Siemens Ltd.

Automation and Drives Division

Electrical Installation Technology

Thane Belapur Road

Thane 400601

Fax : +91 22 27623729

E-mail: switches.india@siemens.com

Siemens Ltd.

ET-01-014-58

This replaces ET-01-014-041

'Product development is a continuous process. Consequently, the data indicated in this datasheet is subject to change without prior notice. For latest issue contact our Sales Offices.'