



OT160G switch-disconnectors

Savings through simple and smart design



It's all about savings

Efficiency and measurable savings have been at the heart of the design process for the OT160G. We wanted to create a simple and compact device suited for all our customers' needs, that will save you both money and time across its entire lifecycle, from the moment of installation to its eventual replacement.



20% savings in stock expenses

Whenever and wherever a switch-disconnector is needed, the OT160G by ABB provides reliable and economical performance. It is a high-quality basic switch-disconnector designed to deliver tangible benefits in all AC applications. It is a device that gives you a competitive edge, all packaged into one smart and compact package. The OT160G is ushering in the new generation of small switches.



Universal application

The OT160G is a multi-purpose switch-disconnector that is particularly well suited for use in power distribution and in various building sector applications. However, thanks to its power reserves, it is suited for use in practically any application, in just about any industrial segment you can think of.



Reduced stock expenses

Save up to 20% in stock expenses thanks to the wide coverage of the simple and effective switch-disconnector with an integrated side-operation feature. Less product types are required when one simple device delivers performance to a wide range of applications.



Easy to use and install

Simplicity and ease in installation and use translate into direct savings for you. The smart design of the OT160G guarantees cost savings by reducing time spent on installation, set-up and usage. Its compact dimensions mean that it can be easily installed virtually anywhere.



Compact and powerful design

In comparison to leading products on the market today, using a small but powerful frame can achieve savings of up to 20%. OT160G delivers higher ratings across the board including full current ratings in AC23 690V motor use and in UL98 600V systems.

Technical data

Switch-disconnectors OT160G_

OT160G switch-disconnectors

Technical cross reference according to IEC 60947

Rated insulation voltage		Pollution degree 3	V	1 000	
Dielectric strength		50 Hz 1min.	kV	10	
Rated impulse withstand voltage			kV	12	
Rated thermal current in ambient 35 °C and temporarily 40 °C		In open air	A	160	
		In enclosure	A	160	
...with minimum cable or bar cross section		Cu	mm ²	70	
Rated operational voltage AC-20 and DC-20			V	1 000	
Rated operational current, AC-21A		up to 415 V	A	160	
		500 V	A	160	
		690 V	A	160	
Rated operational current, AC-22A		up to 415 V	A	160	
		500 V	A	160	
		690 V	A	160	
Rated operational current, AC-23A		up to 415 V	A	160	
		500 V	A	160	
		690 V	A	160	
Rated operational power, AC-23	The kW-ratings are accurate for three-phase 1500 R.P.M. standard asynchronous motors.	230 V	kW	45	
		400 V	kW	75	
		415 V	kW	75	
		500 V	kW	90	
		690 V	kW	132	
Rated breaking capacity in category AC-23		up to 500 V	A	1 280	
		690 V	A	1 280	
Rated conditional short-circuit current max. allowed cut-off current, peak value. The cut-off currents refer to single phase fuse tests according to fuse manufacturers declarations. For combination starters, see coordination tables.	at prospective SC-current max. OFA_ fuse size gG / aM	100 kA, 500 V	kA	30	
			A	200/200	
		50 kA, 690 V	kA	24	
			A	200/200	
Rated short-time withstand current	R.M.S. -value I _{cw}	690 V	0,25s	kA	7
		690 V	1s	kA	4
Rated short-time making capacity	Peak value I _{cm}	690 V	kA	12	
Rated capacitor power when no initial charge on the capacitor	Capacitor ratings limited by fuse links	415 V	kVAr	65	
Power loss / pole	With rated current		W	6,5	
Mechanical endurance	Divide by two for operation cycles		Oper.	20 000	
Weight without accessories	3-pole switch		kg	1,1	
	4-pole switch		kg	1,3	
Standard shaft and mounting depth (base mounted versions)	Square dimension x length of shaft		mm	6X210	
	Corresponding mounting depth		mm	230-248	
Standard handle	Type			0HB65J6	
Mounting kit for door mounted versions	Type			0HZX6	
Cu-wire size suitable for terminal			mm ²	10-70	
Terminal tightening torque	Counter torque required		Nm	6	
Operating torque	Typical for 3 and 4-pole switches		Nm	4	

Technical data

Switch-disconnectors OT160G_

OT160G switch-disconnectors

Technical cross reference according to UL98				UL Listed	UL Recognized
General purpose amp rating max. operating voltage	pf=0.7...0.8	-40° to 40 °C	A V	100 600	125 600
Max. horsepower rating/motor FLA current	Three phase	240 VAC	HP/A	40/104	40/104
		480 VAC	HP/A	75/96	75/96
		600 VAC	HP/A	100/99	100/99
	Single phase	240 VAC	HP/A	20/88	20/88
		480 VAC	HP/A	30/66	30/66
Fuse size / short circuit rating	Fuse type	250 VDC	HP/A	20/60	20/60
		J	A/kA	150/100	150/100
		T	A/kA	150/100	150/100
		RK5	A/kA	60/100	60/100
Endurances					
Min. electrical endurance, pf. 0.75 - 0.8		Oper. Cycles		6 000	6 000
Mechanical endurance		Operations		20 000	20 000
Terminal lug kits				Integral	Integral
Wire range	Use copper conductors only		AWG 60-75°C	8-1/0	8-1/0
Torque		Wire tightening	lb.in	53	53
Weight without accessories	3-pole switch		lb	0,5	0,5
	4-pole switch		lb	0,6	0,6

Type designation key

Explanation of the types OT160G_

Option:	OT	160	G	04	P
Position:	1	2	3	4	5
1 Brand					
OT	ABB switch disconnecter brand				
2 Switch size					
	160				
3 Mounting/construction					
G	Base mounting				
GT	Door mounting (Back mounting)				
4 Number of poles and placing of the operating mechanism					
03	3 poles, operating mechanism at the left end of the switch				
04	4 poles, operating mechanism at the left end of the switch				
30	3 poles, operating mechanism at the right end of the switch				
40	4 poles, operating mechanism at the right end of the switch				
5 Included accessories					
blank	no accessories included				
K	Direct mount handle included (base mounted versions only)				
P	Base mounted versions: External handle and shaft included				
	Door mounted versions: External handle and mounting kit included				

Ordering information and accessories

Switch-disconnectors OT160G_

OT160G switch-disconnectors

Base mounted versions: Types with K at the end include direct mount handle YAST1. Types with P at the end include external door mount handle OHB65J6 and shaft OXP6X210. Door mounted versions: Types with P at the end include external door mount handle OHB65J6 and mounting kit OHZX6.



OT160G03K



OT160G04P



OT160GT03P



OT160GT04

No. of poles	Rated operational currents			Type code	Order number	Weight/ kg
	UL98 Listed, 600 V	UL98 Recognized, 600 V	AC22A/AC23A, 690 V			
3	100	125	160/160	OT160G03	1SCA135134R1001	1.1
3	100	125	160/160	OT160G03K	1SCA138208R1001	1.2
3	100	125	160/160	OT160G03P	1SCA135139R1001	1.3
4	100	125	160/160	OT160G04	1SCA135135R1001	1.3
4	100	125	160/160	OT160G04K	1SCA138215R1001	1.4
4	100	125	160/160	OT160G04P	1SCA135140R1001	1.4
3	100	125	160/160	OT160G30	1SCA138207R1001	1.4
3	100	125	160/160	OT160G30K	1SCA138209R1001	1.2
3	100	125	160/160	OT160G30P	1SCA135138R1001	1.2
4	100	125	160/160	OT160G40	1SCA138213R1001	1.3
4	100	125	160/160	OT160G40K	1SCA138214R1001	1.4
4	100	125	160/160	OT160G40P	1SCA138216R1001	1.4
Door mounted versions						
3	100	125	160/160	OT160GT03	1SCA135136R1001	1.2
3	100	125	160/160	OT160GT03P	1SCA135141R1001	1.2
4	100	125	160/160	OT160GT04	1SCA135137R1001	1.3
4	100	125	160/160	OT160GT04P	1SCA135142R1001	1.3
3	100	125	160/160	OT160GT30	1SCA138220R1001	1.2
3	100	125	160/160	OT160GT30P	1SCA135143R1001	1.2
4	100	125	160/160	OT160GT40	1SCA138221R1001	1.3
4	100	125	160/160	OT160GT40P	1SCA135144R1001	1.3

Accessories

	Type code	Order number	Weight/ kg
Direct handle for base mounted OT160G	YAST1	1SCA022301R5350	0.023
Door mounting kit for door mounted OT160GT ¹⁾	OHZX6	1SCA022559R5670	0.023
External door mounted handle	OHB65J6	1SCA022380R9660	0.12
Shaft for base mounted OT160G	OXF6X210	1SCA022295R6080	0.05

Terminal shrouds

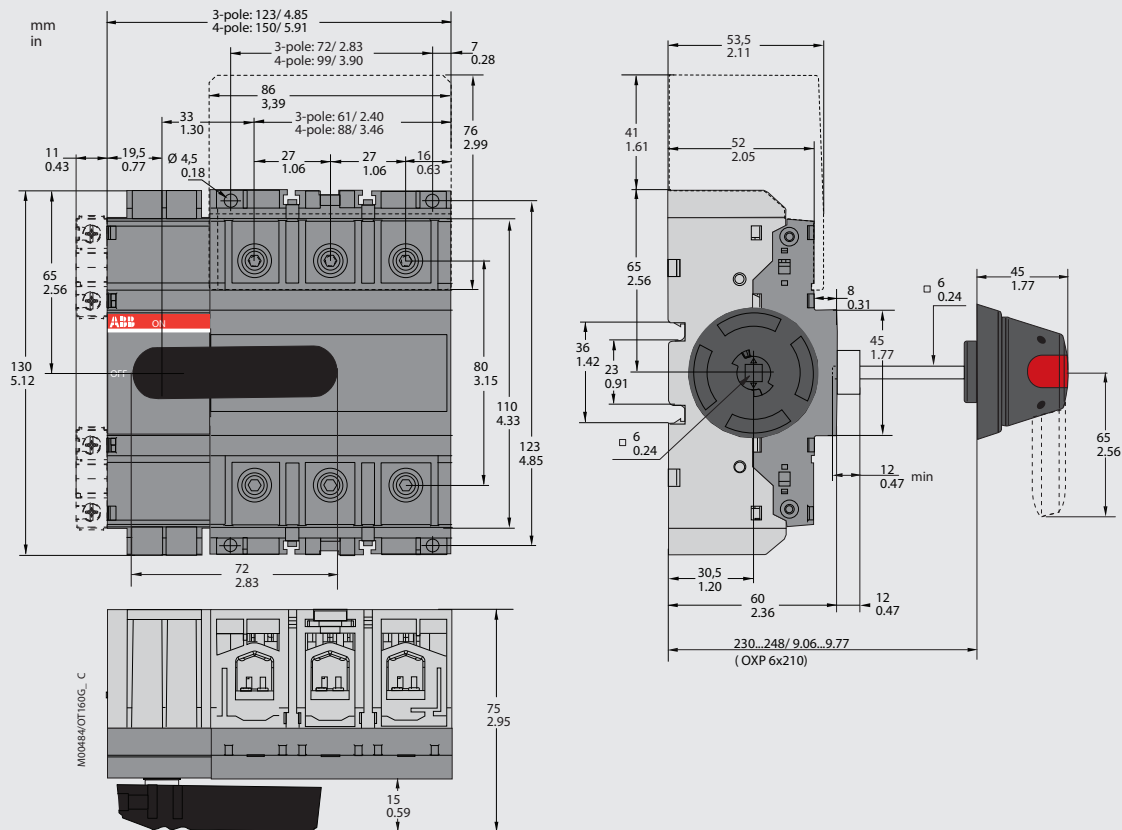
Terminal shroud 3-pole	OTS160G1L3	1SCA140414R1001	0.02
Terminal shroud 4-pole	OTS160G1L4	1SCA140415R1001	0.03

¹⁾ Mounting kit OHZX6 consists of door mount handle fixing plate, screws and shaft.

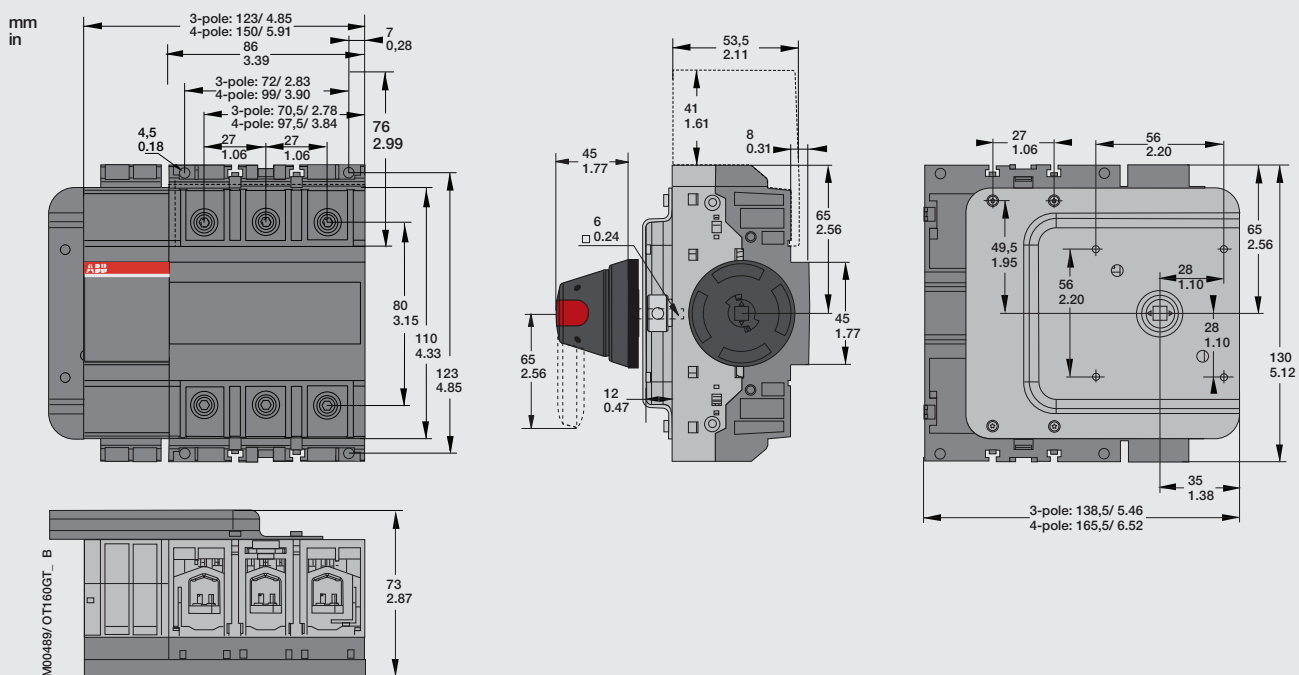
Dimension drawings

Switch-disconnectors OT160G_

OT160G03/04_



OT160GT03/04_



Contact us

ABB Oy

Protection and connection

P.O. Box 622

FI-65101 Vaasa, Finland

www.abb.com

Find the address of your local sales organization
on the ABB homepage:

www.abb.com/contacts

> Low Voltage Products and Systems

OT83GB 16-04 1SCC301018B0201