



OVERVIEW

The ASHE Model BMX-21 and BMX-22 are a range of compact, rugged and reliable indicating instruments which are specifically designed for accurate process measurement and control applications.

The Indicators accept an industrial standard current input signal of 4 to 20 mA DC and display the actual process value calibrated in the desired units, on a linear scale. The process value is displayed on two separate displays : one, a LED strip Bar-Graph display, and two, a 4-Digit seven-segment LED digital display module. The instrument is offered in single or dual channel.

The instrument operates on a universal AC power supply format of 90 to 270 V AC, 50 Hz and can be calibrated on any scale range from -999 to +9999 units. Two Relays are provided for each channel, which may be set for control action at any point in the scale range. If retransmission is required, then one relay is provided per channel.

The ASHE BMX-21 and BMX-22 Indicators are a versatile range of process measurement and control instruments offering various features like Bar graph indication, digital display, Relay control, Retransmission etc. Therefore an ideal single unit substitute to conventional analog indicators because of their inherent accuracy in process control, besides other superior characteristics like total immunity to Shocks, Dust, Ambient temperatures, Humidity and Corrosive atmospheres.

Further, the instrument is manufactured using selected high-grade components which guarantee it's reliability and long operational life.



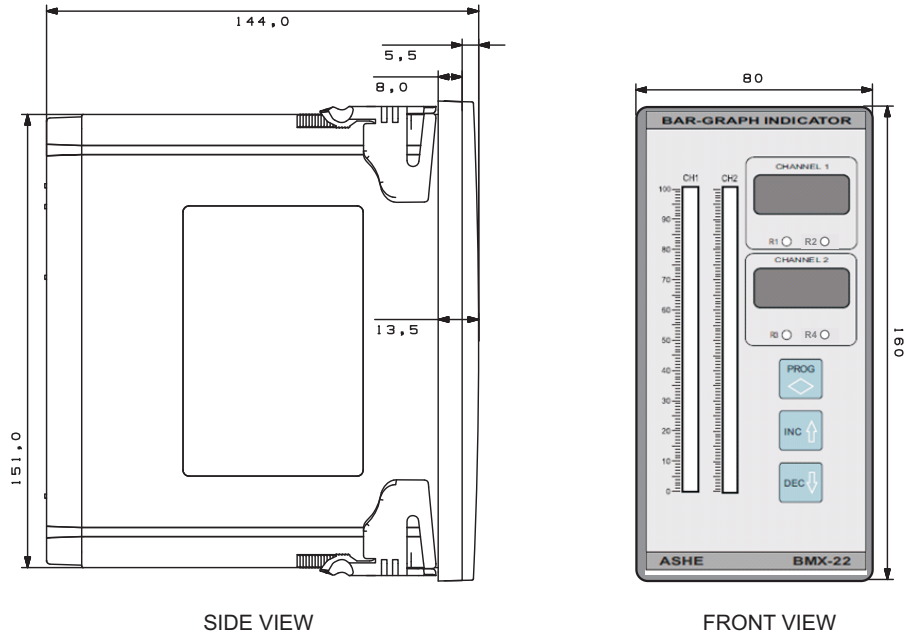
SPECIFICATIONS

Model	ASHE BMX-21 (single channel) ASHE BMX-22 (dual channel).
Type	Single and Dual channel Analog signal indication on Bar-graph display and digital indication with control action.
Input Signal	One/Two signals of 4 to 20 mA DC.
Displays	a. 100-segment LED Bar graph for % PV display of each input channel b. 4-digit, 0.39" seven-segment LED display for PV of each channel.
Bar-graph Display Type	100-segment LED bar-graph display.
Calibration	Bar-graph : 0 to 100%
Response Time	< 100 mS
Range	a. 0 to 100% linear for Bar-graph b. -999 to +9999 for digital display.
Linearity	± 0.1% of span.
Retransmission	4 to 20 mA DC (optional).
Load Driving Capacity	600 Ohms.
Accuracy	± 0.1% of FSD.
Polarity	Auto-sensing.
Control Output	Two relay changeover contacts per channel (One relay if retransmission required).
Contact Rating	10 Ampere @ 230 V AC (resistive loads).
Control Logic	High-Low (Configurable).
Alarm Indication	By LEDs on front panel.
Settings	Settings for Zero, Span, Relay set-points, Hysteresis, Control Logic, Decimal point.
Dimensions	80 x 160 x 150 mm. [W x H x D].
Execution	Front Panel mounting.
Power Supply	90 to 270 V AC, 50/60 Hz.
Weight	Approximately 0.5 Kgs.
Operating Temperature	0 to 55°C.

FEATURES

- Standard 4 to 20 mA DC current loop operation
- Dual process display – Bar graph and Digital seven-segment LED
- Dual units : process units and percentage
- Low Input impedance – negligible load on loop
- High accuracy and linearity to input signal
- 0 to 100% display on 100-segment LED bar-graph
- 4-digit LED seven-segment displays
- Very low power consumption and heat dissipation
- Dual control action per channel
- Auto-sensing polarity
- Selectable Decimal point
- Membrane keypad settings for calibration, set-points
- Rugged industrial grade ABS
- Panel mount enclosure with mounting bracket
- Proven track record of several thousand installations

DIMENSIONAL DIAGRAM



SIDE VIEW

FRONT VIEW

HOW TO ORDER

BAR GRAPH INDICATOR	BMX-2			
Configuration and add-on options				
1 CONTROL RELAY OUTPUT				
▶ No Relay		0		
▶ One Relay		1		
▶ Two Relay		2		
2 RETRANSMISSION				
▶ 4 to 20 mA DC with aux 24 VDC @ 100 mA power for transmitter (for each channel)			Q	
▶ Retransmission not required			N	
3 EXECUTION				
▶ Front Panel mounting				P
▶ Field mounting in Weather-proof execution (Polycarbonate enclosure, Ingress protection)				W

OUR OTHER PRODUCTS



FLOW TOTALIZER



SIGNAL ISOLATORS & TRANSDUCERS



TEMPERATURE SCANNER



FLAMEPROOF INSTRUMENTS



STATIC POWER SWITCHES



Designed and Manufactured by :

ASHE CONTROLS PRIVATE LIMITED

6/317, 318 & 319, Jogani Industrial Complex, Near ATI, Sion-Trombay Road, Chunabhatti (East), Mumbai - 400 022, India.

Phone : (022) 2405 1561, 2405 5791, 2405 5543 • E-mail : sales@ashecontrols.com • Website: http://www.ashecontrols.com