

Digital Indicator Controller in Flameproof Execution

PESO
CERTIFIED



OVERVIEW

The ASHE JX-40 and JX-42 are fully configurable micro-controller based Digital process Indicators with and without control outputs, offered in a highly compact, flame-proof execution. The instrument accepts an analog current loop signal or process sensor inputs and displays the process value which can be calibrated to the desired operating range. A four-digit red LED digital display indicates the process value on a scale range between -999 to +9999 units.

The JX-42 provides two control Relay set-points, each of which may be configured for either High or Low setting with independent Hysteresis value, through the Membrane Keypad on the front panel.

The instrument operates either on 24 VDC or on universal AC power of 90 to 270 VAC, 50/60 Hz with transient protection of up to 300 VAC. The instrument can also provide analog retransmission signal of 4-20 mA DC, auxiliary transmitter power supply output of 24 V DC at 100mA and data communication on Modbus.

The process Indicating Controller Model JX-40 and JX-42 are therefore ideal instruments for process measurement applications because of their versatility and inherent accuracy in process measurement and control, besides other superior characteristics such as total immunity to shocks, dust, ambient temperatures, and humidity.

They are offered in a IP66 certified enclosure in wall/pipe-mount execution. The enclosure has provision for two cable entries.



Ex-d
CERTIFIED

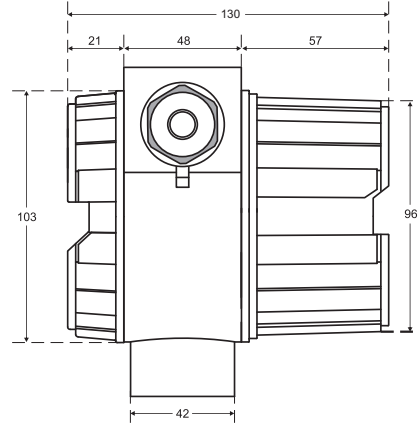
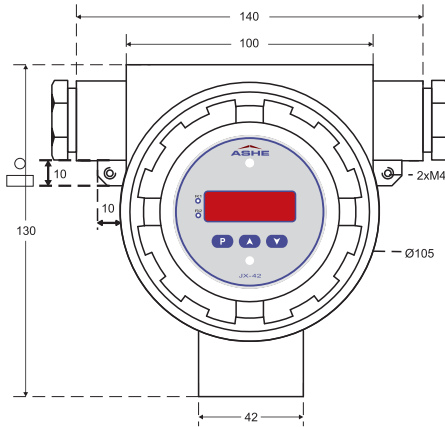
SPECIFICATIONS

Model	ASHE JX-40 and JX-42
Type	Digital Indicator and Controller in Flameproof execution.
Input Signal	4 to 20 mA DC (or as required)
System	Two wire / Four wire (to be specified)
Indication	Four-digit red LED seven-segment display.
Scale Range	-999 to +9999.
Calibration	Configurable from front keypad.
Control Output	Two Relay change-over contacts (in JX-42)
Accuracy	± 0.1%.
Response Time	Typically 75 mSec.
Retransmission	4 to 20 mA DC (optional).
Data Communication	RS 485 on Modbus RTU (optional).
Power Supply	90 to 270 V AC, 50/60 Hz. OR 24 VDC (± 10%)
Auxiliary Power Supply Out	24 V DC at 100mA for Aux Transmitter Power (Optional)
Enclosure	Industrial grade Flame-proof with safety glass window
Ingress Protection	IP66 execution.
Cable Entries	Two, 3/4" ET
Mounting	Suitable for Wall mounting or 2" Pipe mounting
Mounting Accessories	Stainless Steel M16 mounting bolt, 2" Pipe mounting U-Clamp (optional) .
Weight	1.4 Kg.
Dimensions	140 x 130 x 130 mm [W x H x D].
Operating Temperature	0 to 55°C

FEATURES

- Micro-controller based design
- All standard Analog Inputs and Sensors
- Four-digit LED Displays
- Up to two Control Relay outputs
- Retransmission of 4 to 20 mA DC signal (optional)
- Auxiliary Power Supply for external Transducer option
- Data Communication on RS 485 Modbus RTU (optional)
- Polarity Auto-sensing
- Selectable Decimal point
- Front accessible Zero and Span calibration by membrane keypad
- High accuracy and linearity to input signal
- 90 to 270 V AC, 50/60 Hz. Power Supply (optionally 24 VDC)
- IP66 Flameproof execution industrial design
- Proven record of several thousand installations

DIMENSIONAL DIAGRAM



How To ORDER

DIGITAL INDICATOR CONTROLLER IN FLAMEPROOF EXECUTION	JX-4							
Configuration and add-on options								
1 CONTROL RELAY OUTPUTS								
▶ No Relay (Simple Indicator)		0						
▶ Two Relay		2						
2 EXECUTION								
▶ Field mounting in Weather-proof execution (Polycarbonate enclosure, Ingress protection)				W				
▶ Field mounting in Flame/Explosion-proof Ex-d execution (Cast Aluminum Alloy LM6 enclosure, for Gas groups IIA, IIB)				X				
▶ Field mounting in Flame/Explosion-proof Ex-d execution (Stainless steel SS316 enclosure, for Gas groups IIA, IIB, IIC)				S				
3 INPUT SIGNALS								
▶ 4 to 20 mA DC					L			
▶ RTD Pt-100 (three-wire)					R			
▶ Modbus RTU					B			
4 POWER SUPPLY								
▶ 90 to 270 V AC, 50/60 Hz.						A		
▶ 24 V DC (± 10%)						D		
5 RETRANSMISSION								
▶ 4 to 20 mA DC with aux 24 VDC @ 100 mA Power for Transmitter							Q	
▶ Retransmission not required							N	
6 DATA COMMUNICATION								
▶ RS 485 on Modbus RTU								M
▶ Modbus RTU not required								N

OUR OTHER PRODUCTS



FLOW TOTALIZER



SIGNAL ISOLATORS & TRANSDUCERS



TEMPERATURE SCANNER



FLAMEPROOF INSTRUMENTS



STATIC POWER SWITCHES



Designed and Manufactured By :

ASHE CONTROLS PRIVATE LIMITED

6/317, 318 & 319, Jogani Industrial Complex, Near ATI, Sion-Trombay Road, Chunabhatti (East), Mumbai - 400 022, India.

Phone : (022) 2405 1561, 2405 5791, 2405 5543 • E-mail : sales@ashecontrols.com • Website: http://www.ashecontrols.com