

Digital Process Indicator with Modbus in Flameproof Execution

PESO
CERTIFIED



OVERVIEW

The ASHE JX-67 is a fully configurable micro-controller based Digital process Indicator with control outputs, offered in a highly compact, rugged and reliable execution. The instrument accepts an analog 4 to 20 mA DC current loop or Modbus signal (to be pre-specified) and displays the process value which can be calibrated to the desired operating range. An OLED 8x2 alphanumeric display indicates the process value on a scale range between -999 to +9999 units.

The JX-67 provides two controls Relay set-points, each of which may be configured for either High or Low setting with independent Hysteresis value, through the Membrane Keypad on the front panel.

The instrument operates either on 24 VDC or on universal AC power of 90 to 270 VAC, 50 Hz with transient protection of up to 300 VAC. The instrument can also provide analog retransmission signal of 4-20 mA DC or Rs485 data communication on Modbus RTD protocol(optional).

The process Indicating Controller Model JX-67 is therefore an ideal instrument for process measurement applications because of it's versatility and inherent accuracy in process measurement and control, besides other superior characteristics such as total immunity to shocks, dust, ambient temperatures, and humidity.

They are offered in IP66 certified enclosure in wall/pipe-mount execution. The enclosure has provision for two cable entries.



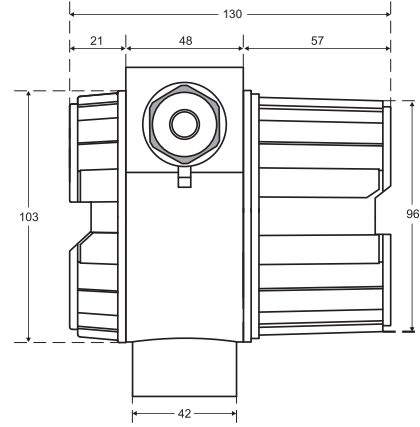
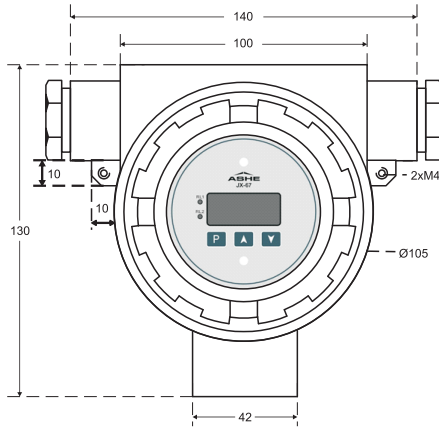
SPECIFICATIONS

Model	ASHE JX-67
Type	Micro-controller based, programmable Digital Indicator.
Input Signal	4 to 20 mA DC./ Modbus RTU
Display	8x2 OLED Alphanumeric Display
Scale Range	-999 to +9999.
Calibration	Configurable
Control Output	Two Relay change-over contacts
Accuracy	> ± 0.1%.
Settings	Membrane Switch-pad soft keys.
Output Signal	Modbus RTU/4 to 20 mA DC (optional).
Reset Function	Reset with (Dec) Key.
Features	Settings for Scale Calibration, Decimal Position, Relay set-points, Hysteresis, etc.
Power Supply	24 VDC or 90 to 270 V AC, 50/60 Hz.
Execution	Field, Wall / Pipe mounting.
Enclosure	Weather-proof and Flame-proof Exd, Die-cast Aluminium alloy LM6 single-chamber / dual access enclosure suitable for installation in Hazardous Areas for Gas Groups IIA/IIB, T6, Zones 1 & 2 areas, duly certified.
Cable Entries	Two, M20
Ingress protection	IP66 certified.
Dimensions	140 x 130 x 130 mm [W x H x D].
Operating Temperature	0 to 55°C

FEATURES

- Micro-controller based design
- 4 to 20mA DC / Modbus RTU input signal (to be pre-specified)
- Modbus RTU / 4 to 20mA DC output signal (to be pre-specified)
- 8 x 2 OLED Alphanumeric display
- Up to two Control Relay outputs
- Polarity Auto-sensing
- Auxillary Power Supply for external transducer option
- Selectable Decimal Point
- 90 to 270 VAC, 50 / 60 Hz Power Supply (optionally 24 VDC)
- IP66 Flameproof execution industrial design
- Proven record of several thousand installations

DIMENSIONAL DIAGRAM



How To ORDER

DIGITAL PROCESS INDICATOR IN FLAMEPROOF EXECUTION	JX-67					
Configuration and add-on options						
1 CONTROL RELAY OUTPUTS						
▶ No Relay		0				
▶ Two Relay		2				
2 INPUT SIGNALS						
▶ 4 to 20 mA DC			L			
▶ Rs485 on Modbus RTU			B			
3 OUTPUT SIGNAL						
▶ Rs485 on Modbus RTU					M	
▶ 4 to 20 mA DC					G	
▶ 4 to 20 mA DC with aux 24 VDC @ 100 mA Power for Transmitter					Q	
4 POWER SUPPLY						
▶ 90 to 270 V AC, 50/60 Hz.						A
▶ 24 V DC (± 10%)						D
5 EXECUTION						
▶ Field mounting in Weather-proof execution (Polycarbonate enclosure, Ingress protection)						W
▶ Field mounting in Flame/Explosion-proof Ex-d execution (Cast Aluminum Alloy LM6 enclosure, for Gas groups IIA, IIB)						X
▶ Field mounting in Flame/Explosion-proof Ex-d execution (Stainless steel SS316 enclosure, for Gas groups IIA, IIB, IIC)						S

OUR OTHER PRODUCTS



FLOW TOTALIZER



SIGNAL ISOLATORS & TRANSDUCERS



TEMPERATURE SCANNER



FLAMEPROOF INSTRUMENTS



STATIC POWER SWITCHES



Designed and Manufactured By :

ASHE CONTROLS PRIVATE LIMITED

6/317, 318 & 319, Jogani Industrial Complex, Near ATI, Sion-Trombay Road, Chunabhatti (East), Mumbai - 400 022, India.

Phone : (022) 2405 1561, 2405 5791, 2405 5543 • E-mail : sales@ashecontrols.com • Website: http://www.ashecontrols.com