

Dual Channel Indicators & Controllers (Flameproof)

**PESO**  
CERTIFIED



**OVERVIEW**

The ASHE JX-92 is a fully configurable micro-controller based dual-channel Digital process Indicators with control relay outputs, retransmission and data communication, offered in a highly compact, rugged and reliable explosion-proof execution.

The Indicators accept either 4 to 20 mA DC or RTD Pt-100 (three-wire) input signals and operate on 24 VDC power supply. The instrument may be configured for full functionality through the tactile keys on the front panel, with which the operator can set the parameters and configure the instrument as desired. Dual four-digit LED digital displays are provided on the front panel to indicate the process values of each channel. The display can indicate any scale range between -999 to +9999 units.

The instrument has four Relays for control action, two for each channel, the set-points of which may be set from the front keyboard. Options include analog retransmission signal and Rs485 on Modbus RTU communication, panel-mount executions, etc.

The ASHE JX-92 Indicators offer a high degree of reliability owing to their inherent accuracy in process measurement and control, besides other characteristics like total immunity to shocks, dust, ambient temperatures, humidity and corrosive atmospheres. Further, the instruments are manufactured using selected high-grade components which guarantee their functional reliability and long operational life.



**Ex-d Ex-i**  
CERTIFIED CERTIFIED

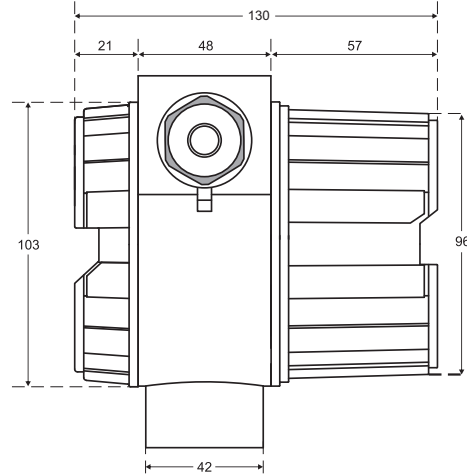
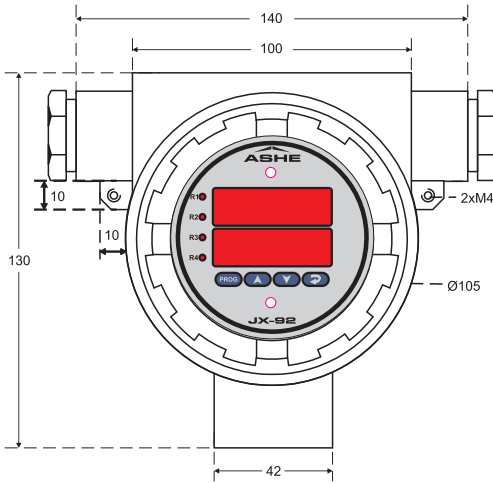
**SPECIFICATIONS**

<b>Model</b>	ASHE JX-92.
<b>Type</b>	Dual-Channel Process Indication with Control action in flameproof execution.
<b>Input 1</b>	RTD Pt-100 (3-wire) -OR- 4 to 20 mA DC
<b>Input 2</b>	RTD Pt-100 (3-wire) -OR- 4 to 20 mA DC
<b>Indication</b>	Dual Four-digit seven-segment 0.4" red LED displays.
<b>Scale Range</b>	-999 to +9999.
<b>Calibration</b>	Configurable from Front Keypad
<b>Retransmission</b>	Two analog outputs : 4 to 20 mA DC for each Input (optional).
<b>Load Capacity</b>	600 Ohms (each).
<b>Communication</b>	RS485 on Modbus RTU protocol (optional).
<b>Response Time</b>	< 100 mSec.
<b>Control Outputs</b>	Four Relays - Two change-over contacts (programmable) for each Input.
<b>Contact Rating</b>	10 Ampere @ 230 V AC (resistive loads).
<b>Accuracy</b>	> ± 0.1% (for 4-20 mA DC Inputs) ± 0.2% (for RTD Pt-100 Inputs)
<b>Ingress Protection</b>	IP66 execution
<b>Weight</b>	Approximately 1 Kg
<b>Power Supply</b>	24 VDC
<b>Dimensions</b>	140 x 130 x 130 mm [H x W x D].

**FEATURES**

- Microcontroller based high speed precision design.
- Dual channel Inputs, Display and Control
- Standard analog 4 to 20 mA DC Input or RTD Pt-100 Sensor input
- Low Input impedance (analog) – negligible load on loop
- High accuracy and linearity to input signals
- Dual 4-digit seven-segment LED displays
- Four Relay change-over contacts (two per channel)
- Very low power consumption and heat dissipation
- Fully configurable
- Analog Retransmission option.
- External transmitter powering option
- Polarity Auto-sensing
- RS485 on Modbus RTU communication (optional)
- Selectable Decimal-point
- 24 VDC Power Supply
- On-Off control action
- Rugged, industrial grade ABS enclosure
- High Noise immunity.
- Panel / Field / Hazardous-area installation in IP66 execution
- Proven record of several thousand installations

**DIMENSIONAL DIAGRAM**



**How To ORDER**

**DIGITAL DUAL CHANNEL INDICATORS & CONTROLLERS JX-9**

Configuration and add-on options

**1 CONTROL RELAY OUTPUTS**

- ▶ No Relay Outputs 0
- ▶ Four Relay Outputs (Two Relays per channel) 2

**2 INPUT SIGNALS**

- ▶ 4 to 20 mA DC for each channel L
- ▶ RTD Pt-100 (three-wire) for each channel R

**3 POWER SUPPLY**

- ▶ 90 to 270 VAC, 50 / 60 Hz A
- ▶ 24 VDC (±10%) D

**4 OUTPUT SIGNAL**

- ▶ 4 to 20 mA DC for each channel G
- ▶ Retransmission not required N

**5 COMMUNICATION**

- ▶ RS 485 on Modbus RTU required M
- ▶ RS 485 on Modbus RTU not required N

**6 EXECUTION**

- ▶ Front Panel Mounting (Model CY-92)
- ▶ Weather proof Ip66 polycarbonate enclosure
- ▶ Field Mounting in Flame/Explosion-proof Ex-d execution P  
(Cast Aluminium Alloy Lm6 enclosure for gas groups IIA, IIB, IIC) W  
X

**OUR OTHER PRODUCTS**



FLOW TOTALIZER



SIGNAL ISOLATORS & TRANSDUCERS



TEMPERATURE SCANNER



FLAMEPROOF INSTRUMENTS



STATIC POWER SWITCHES



Designed and Manufactured by :

**ASHE CONTROLS PRIVATE LIMITED**

6/317, 318 & 319, Jogani Industrial Complex, Near ATI, Sion-Trombay Road, Chunabhatti (East), Mumbai - 400 022, India.

Phone : (022) 2405 1561, 2405 5791, 2405 5543 • E-mail : sales@ashecontrols.com • Website: http://www.ashecontrols.com