



OVERVIEW

The ASHE TX series of Signal Conditioners, Isolators, Transducers and Transmitters comprise a wide range of high quality and reliable instruments for the conversion, amplification and isolation of analog and digital signals.

The instruments accept standard industrial process input signals such as DC/AC Voltage, DC/AC Current, 4 to 20 mA DC, RTD Pt-100 sensor, Thermocouple sensor, Frequency [Pulse], Resistance, etc. and provide a buffered and isolated output with enhanced load driving capacity. The instruments find wide usage in single loop or distributed process measurement and control applications.

The new Series TX-240 Resistance Signal Isolating Transducers measure a variable Resistance in Ohms and buffer the signal into an isolated current loop signal of 4 to 20 mA DC [or as required]. The Output signal is linear with respect to the Input signal and is galvanically and optically isolated to a potential level of 1.5 KV rms for one minute.

The instruments operate on 90 to 270 Volts AC, 50/60 Hz mains power supply or 20 to 70 VDC Power Supply. Optional features include Signal repeating [multiple isolated outputs], higher load driving capability, digital indication facility, control relay outputs, two-wire operation with auxillary power output, data communication etc.

The instruments are available in compact industrial grade enclosures in DIN Rail / Wall-mounting execution, or optionally in IP66 protected field mount weather-proof enclosures, or in CIMFR certified explosion-proof enclosures. Absence of any moving parts provides these instruments inherent advantages like immunity to mechanical shocks, dust, ambient temperature, humidity and corrosive atmosphere.

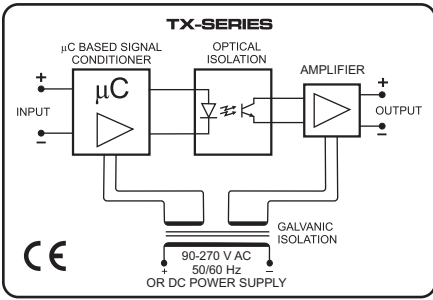
SPECIFICATIONS

Model	ASHE TX-240.
Type	Resistance signal Isolating Transducer.
Principle	Optical Isolation and Signal Conditioning.
Input Signal	0 to 1 KOhm Variable Resistance [or as required].
Output Signal	4 to 20 mA DC [or as required].
Linearity	± 0.1%.
Isolation	Between Input // Output // Power Supply.
Isolation Type	Optical and Galvanic.
Isolation Level	1.5 kV rms for one minute.
Output Protection	Short / Open Circuit protection.
Calibration Facility	Zero and Span settings [external].
Accuracy	± 0.1%.
Indication	Red LED for Power On.
Power Supply	90 to 270 V AC, 50/60 Hz. [Optionally 20 to 70 V DC]
Dimensions	100 x 22 x 110 mm. [H x W x D].
Execution	DIN-Rail / Wall mounting.
Enclosure	Industrial grade ABS.
Enclosure Colour	Light Grey [RAL 7035]
Weight	Approximately 0.4 Kgs.
Operating Temperature	0 to 55°C.

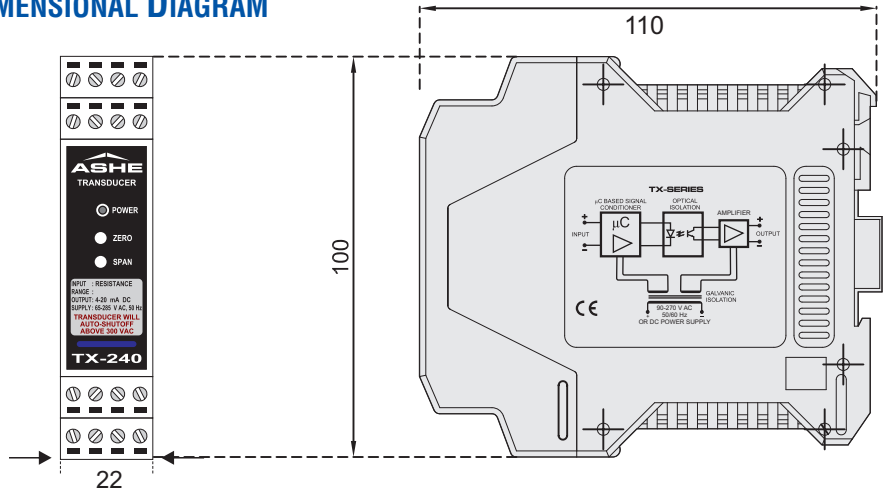
FEATURES

- Optical & Galvanic Isolation between Input, Output & Power Supply
- High accuracy and linearity to input signal
- Very low power consumption and heat dissipation
- Options of multiple [upto four] isolated outputs
- High load driving capacity of retransmitted signal
- Configurable output option of current / voltage
- Short-circuit / Open-circuit protection of outputs
- Front accessible Zero and Span calibration for all channels
- Digital Indication option with/without control relay outputs
- AC or DC Power Supply options
- Rugged, industrial grade ABS enclosure
- Panel / Field / Hazardous area installation in IP66 execution
- Current limiting for I/O protection
- Customized outputs offered
- Proven record of several thousand installations

BLOCK DIAGRAM



DIMENSIONAL DIAGRAM



How To ORDER

RESISTANCE TRANSDUCER	TX-240				
Configuration and add-on options					
1 OPTICAL AND GALVANIC ISOLATION					
▶ Isolation Required		Y			
▶ Isolation Not Required		N			
2 POWER SUPPLY					
▶ 90 to 270 V AC, 50/60 Hz			A		
▶ 20 to 70 V DC			D		
3 OUTPUT SIGNAL					
▶ 4 to 20 mA DC				G	
▶ 0 to 10 V DC				O	
4 EXECUTION					
▶ DIN Rail mounting					D
▶ Field mounting in Weather-proof execution (Polycarbonate enclosure, Ingress protection)					W
▶ Field mounting in Flame/Ex-d execution (Cast Aluminum Alloy LM6 enclosure, for Gas groups IIA, IIB)					X

Our Other Products



FLOW TOTALIZER



SIGNAL ISOLATORS & TRANSDUCERS



TEMPERATURE SCANNER



FLAMEPROOF INSTRUMENTS



STATIC POWER SWITCHES



Designed and Manufactured by :

ASHE CONTROLS PRIVATE LIMITED

6/317, 318 & 319, Jogani Industrial Complex, Near ATI, Sion-Trombay Road, Chunabhatti (East), Mumbai - 400 022, India.

Phone : (022) 2405 1561, 2405 5791, 2405 5543 • E-mail : sales@ashecontrols.com • Website: http://www.ashecontrols.com