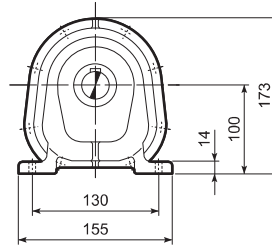
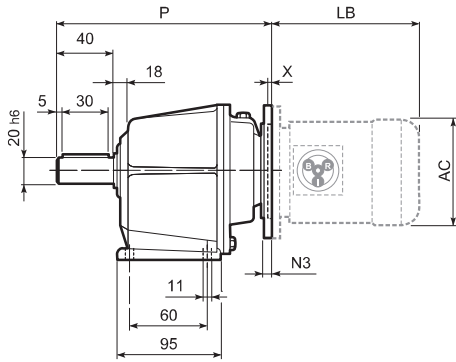
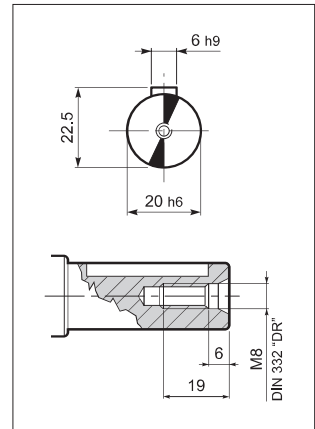


AS 20...P(IEC)

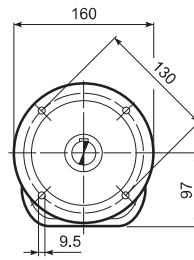
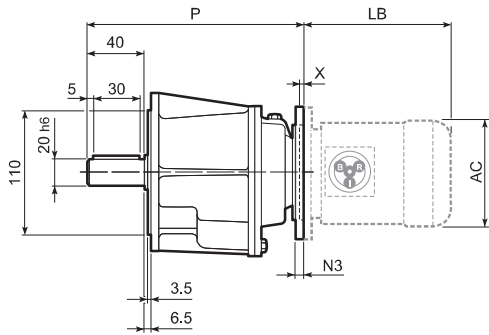
P
DP



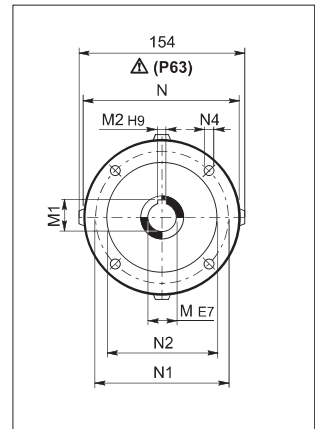
OUTPUT



F
DF



INPUT



	AS 20													BN...		BN...FD BN...FA			
	M	M1	M2	N	N1	N2	N3	N4	X	P			Kg	Eci	LB	AC	LB	AC	
										...P	...F	...R							
	AS 20_063	11	12.8	4	140	115	95	-	M8x19	5	195	195	-	6.4	BN 63	184	121	249	121
	AS 20_071	14	16.3	5	160	130	110	-	M8x16	5	195	195	-	6.4	BN 71	219	138	280	138
	AS 20_080	19	21.8	6	200	165	130	-	M10x12	5	200	200	-	6.4	BN 80	234	156	306	156
	AS 20_090	24	27.3	8	200	165	130	-	M10x12	5	200	200	-	6.4	BN 90	276	176	359	176
	AS 20_D_063	11	12.8	4	140	115	95	-	M8x19	3.5	194	194	-	6	BN 63	184	121	249	121
	AS 20_D_071	14	16.3	5	160	130	110	-	M8x16	3.5	194	194	-	6	BN 71	219	138	280	138