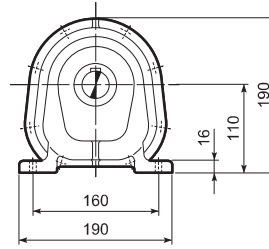
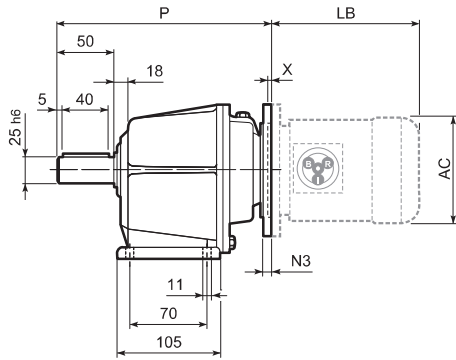
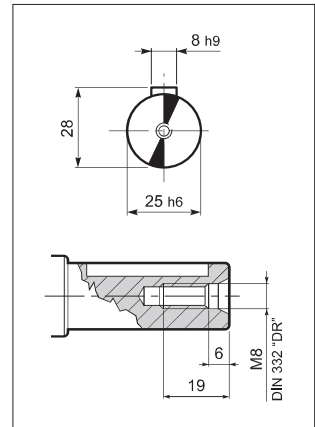


AS 25...P(IEC)

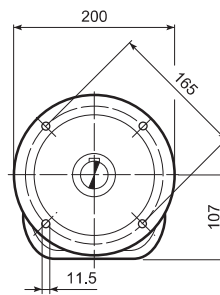
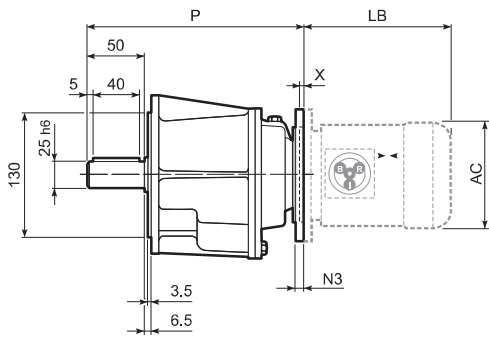
P
DP



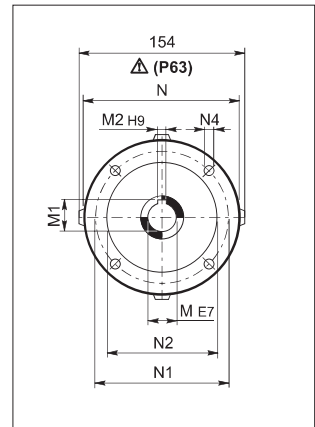
OUTPUT



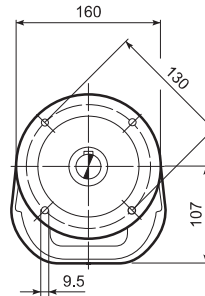
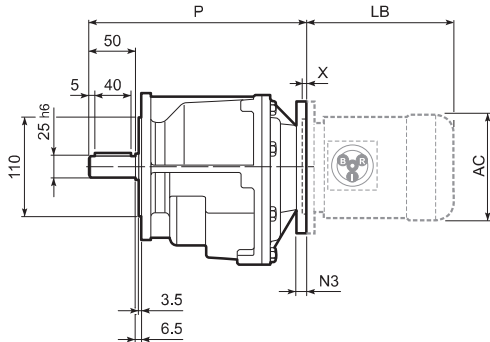
F
DF



INPUT



R
DR



| | AS 25 | | | | | | | | | | | | | BN... | | BN...FD BN...FA | | |
|--------------------|-------|------|----|-----|-----|-----|----|--------|-----|------|------|------|------|--------------|-----|--------------------|-----|-----|
| | M | M1 | M2 | N | N1 | N2 | N3 | N4 | X | P | | | Kg | Motor Icon | LB | AC | LB | AC |
| | | | | | | | | | | ...P | ...F | ...R | | | | | | |
| AS 25_071 | 14 | 16.3 | 5 | 160 | 130 | 110 | - | M8x16 | 5 | 214 | 214 | 242 | 14 | BN 71 | 219 | 138 | 280 | 138 |
| AS 25_080 | 19 | 21.8 | 6 | 200 | 165 | 130 | - | M10x12 | 5 | 219 | 219 | 247 | 14 | BN 80 | 234 | 156 | 306 | 156 |
| AS 25_090 | 24 | 27.3 | 8 | 200 | 165 | 130 | - | M10x12 | 5 | 219 | 219 | 247 | 14 | BN 90 | 276 | 176 | 359 | 176 |
| AS 25_D_063 | 11 | 12.8 | 4 | 140 | 115 | 95 | - | M8x19 | 3.5 | 214 | 194 | 242 | 13.5 | BN 63 | 184 | 121 | 249 | 121 |
| AS 25_D_071 | 14 | 16.3 | 5 | 160 | 130 | 110 | - | M8x16 | 3.5 | 214 | 194 | 242 | 13.5 | BN 71 | 219 | 138 | 280 | 138 |