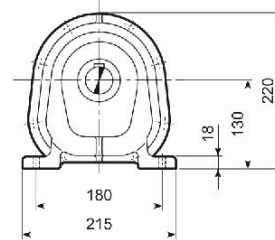
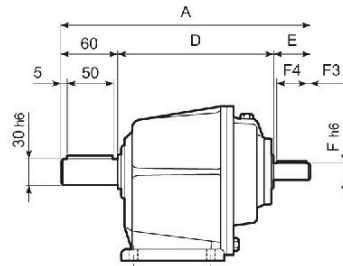
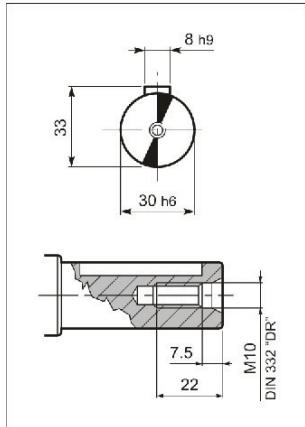


DIMENSIONS

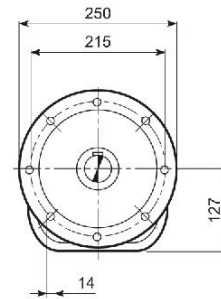
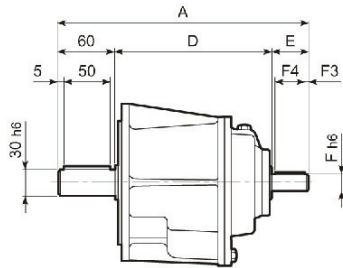
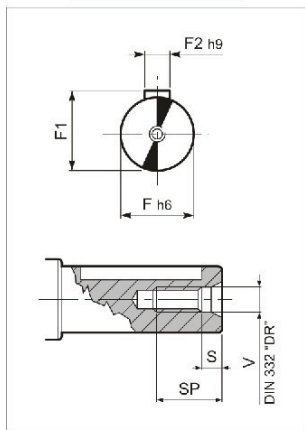
AS 30...HS

OUTPUT

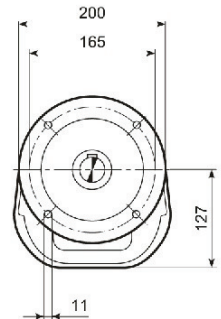
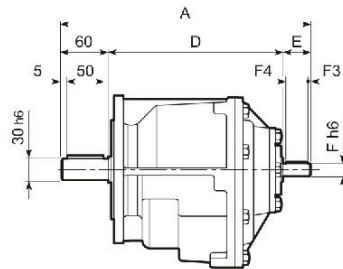


**P
DP**

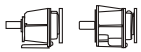
INPUT



**F
DF**



**R
DR**

	AS 30											
	A	D	E	F	F1	F2	F3	F4	V	S	SP	kg
AS 30 P_HS	329	219	50	24	27.3	8	5	40	M8	6	19	23
AS 30 DP_HS	314	214	40	19	21.8	6	5	30	M6	5	16	22.5
AS 30 F_HS	329	219	50	24	27.3	8	5	40	M8	6	19	24
AS 30 DF_HS	314	214	40	19	21.8	6	5	30	M6	5	16	23.5
AS 30 R_HS	356	246	50	24	27.3	8	5	40	M8	6	19	22.5
AS 30 DR_HS	341	241	40	19	21.8	6	5	30	M6	5	16	23.5