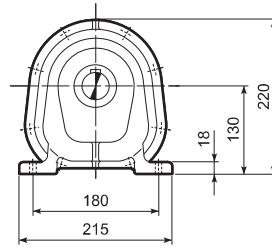
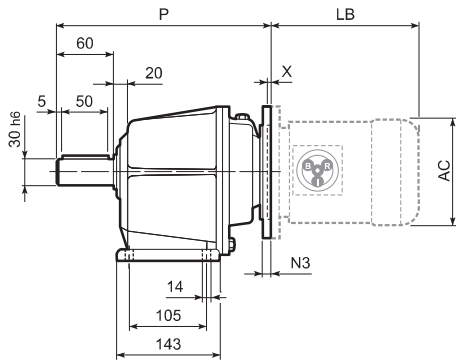
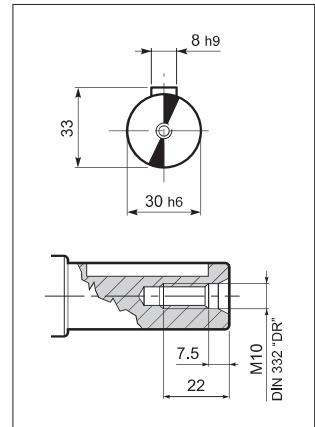


AS 30...P(IEC)

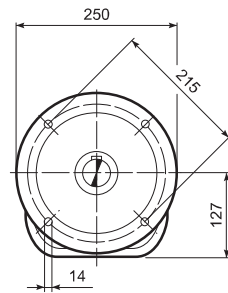
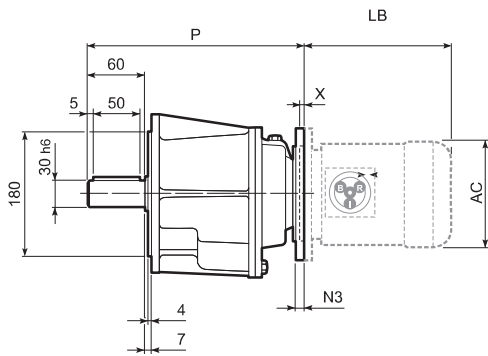
P
DP



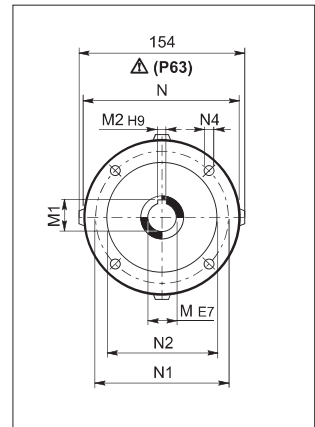
OUTPUT



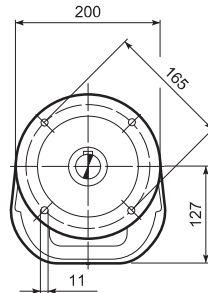
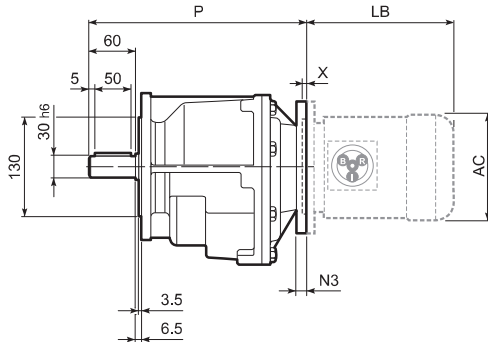
F
DF



INPUT



R
DR



	AS 30													BN...		BN...FD BN...FA		
	M	M1	M2	N	N1	N2	N3	N4	X	P			Kg	IEC	LB	AC	LB	AC
										...P	...F	...R						
AS 30_071	14	16.3	5	160	130	110	-	M8x16	5	284	284	-	23	BN 71	219	138	280	138
AS 30_080	19	21.8	6	200	165	130	-	M10x12	4	284	284	311	23	BN 80	234	156	306	156
AS 30_090	24	27.3	8	200	165	130	-	M10x12	4	284	284	311	23	BN 90	276	176	359	176
AS 30_100	28	31.3	8	250	215	180	-	M12x16	5	284	284	311	23	BN 100	307	195	398	195
AS 30_112	28	31.3	8	250	215	180	-	M12x16	5	284	284	311	23	BN 112	325	219	424	219
AS 30_D_071	14	16.3	5	160	130	110	-	M8x19	5	276	276	303	22.5	BN 71	219	138	280	138
AS 30_D_080	19	21.8	6	200	165	130	-	M10x19	5	281	281	308	22.5	BN 80	234	156	306	156
AS 30_D_090	24	27.3	8	200	165	130	-	M10x12	5	281	281	308	22.5	BN 90	276	176	359	176