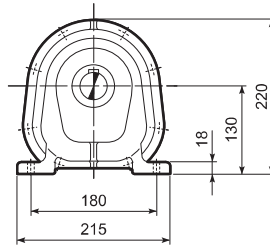
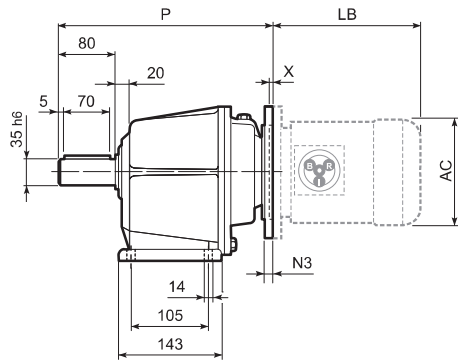
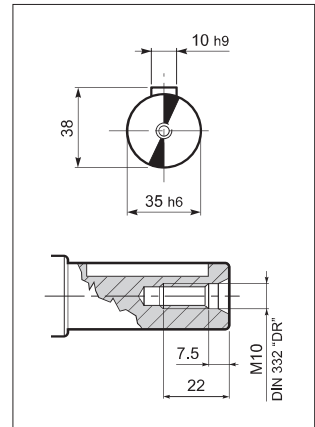


# AS 35...P(IEC)

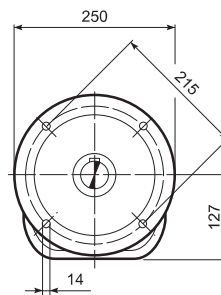
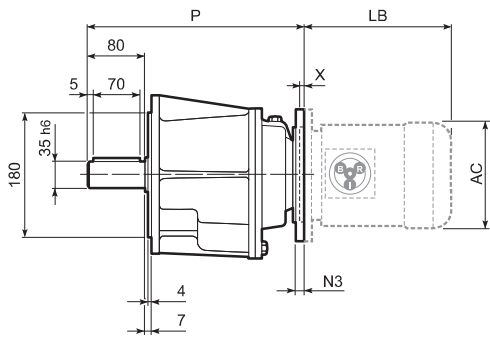
**P  
DP**



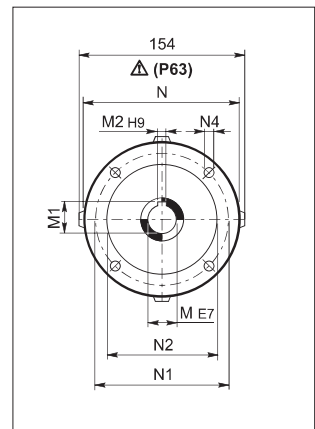
## OUTPUT



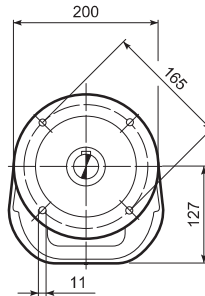
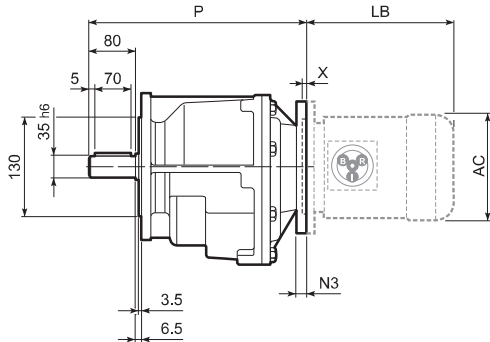
**F  
DF**



## INPUT



**R  
DR**



|  | AS 35       |    |      |   |     |     |     |    |        |      |      |      |     | BN... |        | BN...FD<br>BN...FA |     |     |     |
|--|-------------|----|------|---|-----|-----|-----|----|--------|------|------|------|-----|-------|--------|--------------------|-----|-----|-----|
|  | M           | M1 | M2   | N | N1  | N2  | N3  | N4 | X      | P    |      |      | Kg  | mcj   | LB     | AC                 | LB  | AC  |     |
|  |             |    |      |   |     |     |     |    |        | ...P | ...F | ...R |     |       |        |                    |     |     |     |
|  | AS 35_071   | 14 | 16.3 | 5 | 160 | 130 | 110 | -  | M8x16  | 5    | 304  | 304  | -   | 24    | BN 71  | 219                | 138 | 280 | 138 |
|  | AS 35_080   | 19 | 21.8 | 6 | 200 | 165 | 130 | -  | M10x12 | 4    | 304  | 304  | 331 | 24    | BN 80  | 234                | 156 | 306 | 156 |
|  | AS 35_090   | 24 | 27.3 | 8 | 200 | 165 | 130 | -  | M10x12 | 4    | 304  | 304  | 331 | 24    | BN 90  | 276                | 176 | 359 | 176 |
|  | AS 35_100   | 28 | 31.3 | 8 | 250 | 215 | 180 | -  | M12x16 | 5    | 304  | 304  | -   | 24    | BN 100 | 307                | 195 | 398 | 195 |
|  | AS 35_112   | 28 | 31.3 | 8 | 250 | 215 | 180 | -  | M12x16 | 5    | 304  | 304  | -   | 24    | BN 112 | 325                | 219 | 424 | 219 |
|  | AS 35_D_071 | 14 | 16.3 | 5 | 160 | 130 | 110 | -  | M8x19  | 5    | 296  | 296  | 323 | 23.5  | BN 71  | 219                | 138 | 280 | 138 |
|  | AS 35_D_080 | 19 | 21.8 | 6 | 200 | 165 | 130 | -  | M10x19 | 5    | 301  | 301  | 328 | 23.5  | BN 80  | 234                | 156 | 306 | 156 |
|  | AS 35_D_090 | 24 | 27.3 | 8 | 200 | 165 | 130 | -  | M10x12 | 5    | 301  | 301  | 328 | 23.5  | BN 90  | 276                | 176 | 359 | 176 |