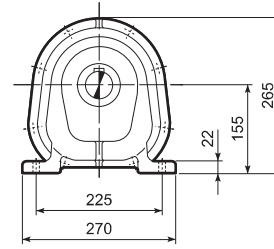
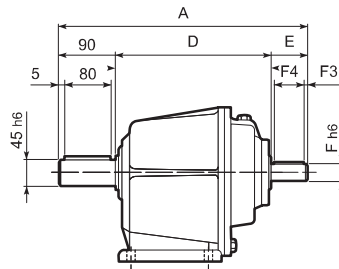
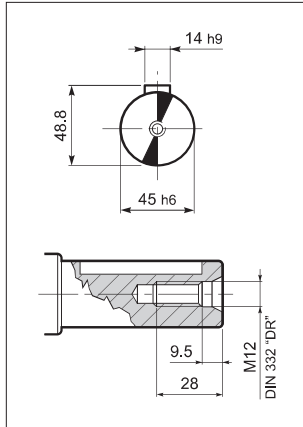
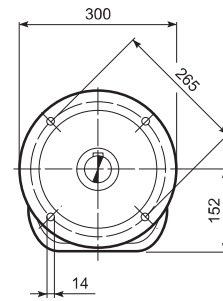
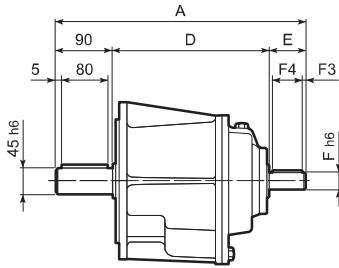
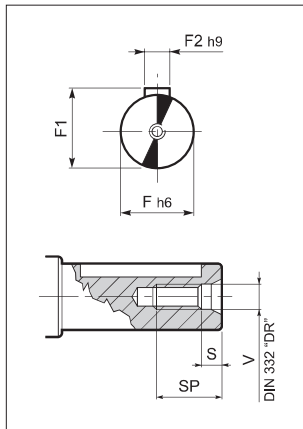


## OUTPUT



**P  
DP**

## INPUT



**F  
DF**

	AS 45											
	A	D	E	F	F1	F2	F3	F4	V	S	SP	
AS 45 P_HS	392	245	60	28	31.3	8	5	50	M10	7.5	22	40
AS 45 DP_HS	395	255	50	24	27.3	8	5	40	M8	6	19	35
AS 45 F_HS	392	245	60	28	31.3	8	5	50	M10	7.5	22	40
AS 45 DF_HS	395	255	50	24	27.3	8	5	40	M8	6	19	35