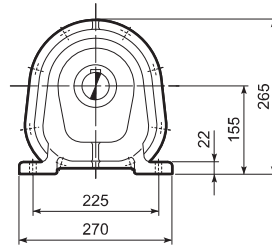
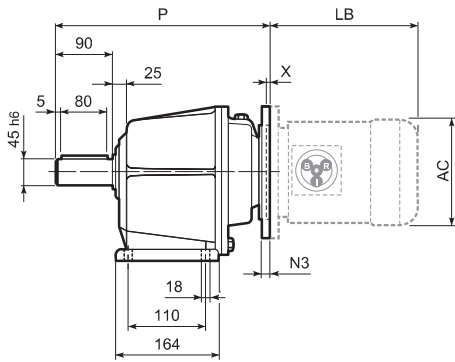
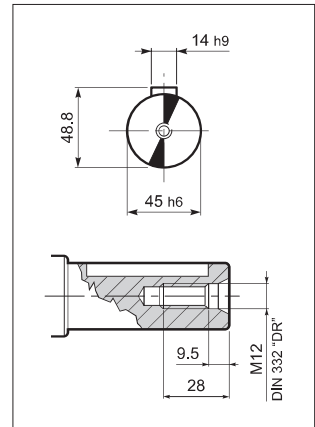


AS 45...P(IEC)

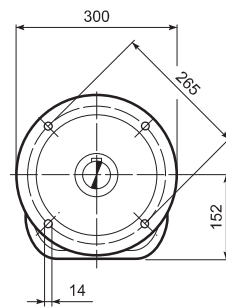
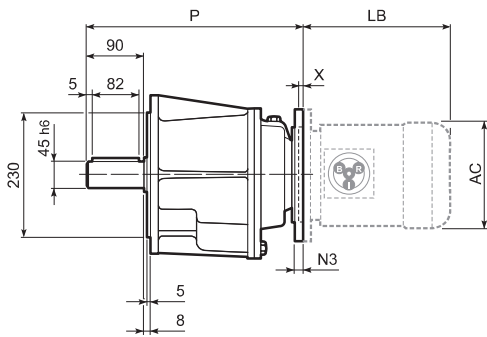
P
DP



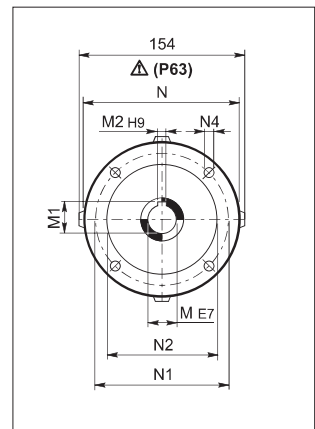
OUTPUT



F
DF



INPUT



	AS 45													Kg	icj	BN...		BN...FD BN...FA	
	M	M1	M2	N	N1	N2	N3	N4	X	P			LB			AC	LB	AC	
										...P	...F	...R							
	AS 45_090	24	27.3	8	200	165	130	-	M10x12	4	340	340	-	40	BN 90	276	176	359	176
	AS 45_100	28	31.3	8	250	215	180	-	M12x16	5	340	340	-	40	BN 100	307	195	398	195
	AS 45_112	28	31.3	8	250	215	180	-	M12x16	5	340	340	-	40	BN 112	325	219	424	219
	AS 45_132	38	41.3	10	300	265	230	16	14	5	360	360	-	40	BN 132	413	258	523	258
	AS 45 D_071	14	16.3	5	160	130	110	-	M8x19	5	350	350	-	35	BN 71	219	138	280	138
	AS 45 D_080	19	21.8	6	200	165	130	-	M10x19	5	350	350	-	35	BN 80	234	156	306	156
	AS 45 D_090	24	27.3	8	200	165	130	-	M10x20	5	350	350	-	35	BN 90	276	176	359	176
	AS 45 D_100	28	31.3	8	250	215	180	-	M12x16	5	350	350	-	35	BN 100	307	195	398	195
	AS 45 D_112	28	31.3	8	250	215	100	-	M12x16	5	350	350	-	35	BN 112	325	219	424	219