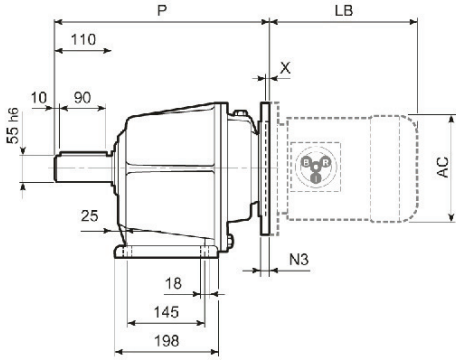


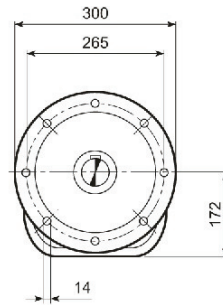
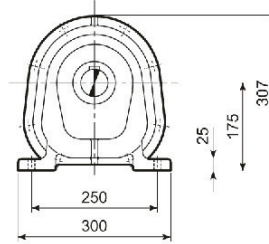
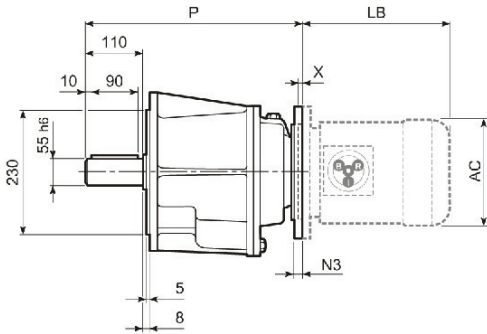
AS 55...P(IEC)

DIMENSIONS

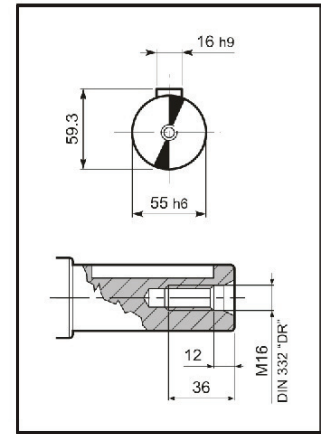
P
DP



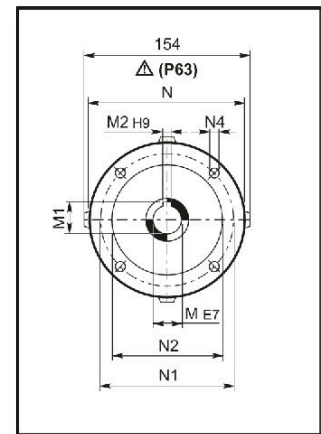
F
DF



OUTPUT



INPUT



AS 55	AS 55												Kg	IEC	BN...		BN...FD BN...FA	
	M	M1	M2	N	N1	N2	N3	N4	X	P					LB	AC	LB	AC
P	...F	...R		
AS 55_100	28	31.3	8	250	215	180	-	M12x16	5	430	430	-	61	BN 100	307	195	398	195
AS 55_112	28	31.3	8	250	215	180	-	M12x16	5	430	430	-	61	BN 112	325	219	424	219
AS 55_132	38	41.3	10	300	265	230	16	14	5	460	460	-	61	BN 132	413	258	523	258
AS 55_160	42	45.3	12	350	300	250	23	18	6	460	460	-	61	BN 160MR	452	258	562	258
														BN 160M/L	486	310	626	310
AS 55 D_080	19	21.8	6	200	165	130	-	M10x19	4	418	418	-	56	BN 80	234	156	306	156
AS 55 D_090	24	27.3	8	200	165	130	-	M10x20	4	418	418	-	56	BN 90	276	176	359	176
AS 55 D_100	28	31.3	8	250	215	180	-	M12x16	5	418	418	-	56	BN 100	307	195	398	195
AS 55 D_112	28	31.3	8	250	215	180	-	M12x16	5	438	438	-	56	BN 112	325	219	424	219
AS 55 D_132	38	41.3	10	300	265	230	16	14	5	438	438	-	56	BN 132	413	258	523	258