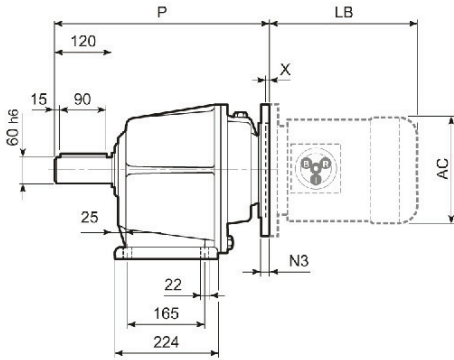


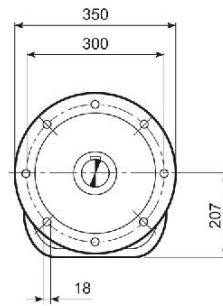
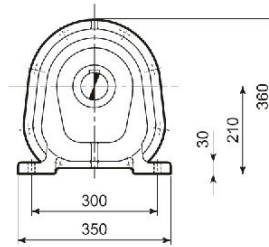
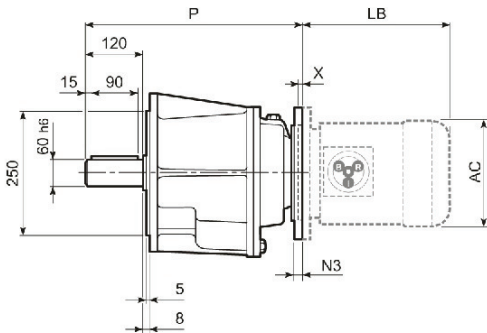
AS 60...P(IEC)

DIMENSIONS

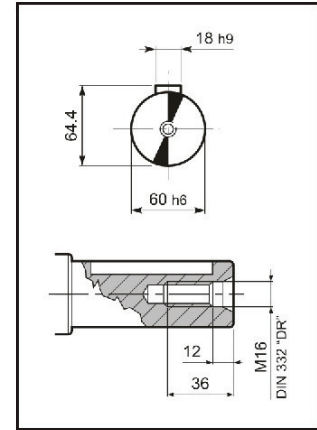
P
DP



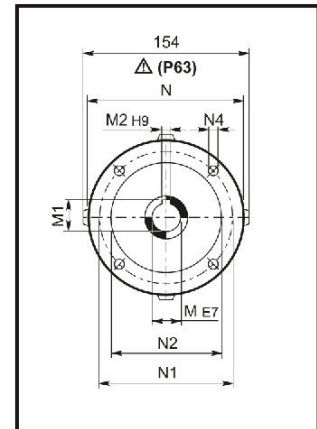
F
DF



OUTPUT



INPUT



	AS 60												Kg	IEC	BN...		BN...FD BN...FA	
	M	M1	M2	N	N1	N2	N3	N4	X	...P	...F	...R			LB	AC	LB	AC
AS 60_132	38	41.3	10	300	265	230	16	14	5	470	470	-	91	BN 132	413	258	523	258
AS 60_160	42	45.3	12	350	300	250	23	18	5	495	495	-	91	BN 160MR BN 160M/L	452 486	258 310	562 626	258 310
AS 60_180	48	51.8	14	350	300	250	23	18	6	495	495	-	91	BN 180M BN 180L	530 598	310 348	670 756	310 348
AS 60 D_080	19	21.8	6	200	165	130	-	M10x19	4	457	457	-	86	BN 80	234	156	306	156
AS 60 D_090	24	27.3	8	200	165	130	-	M10x20	4	457	457	-	86	BN 90	276	176	359	176
AS 60 D_100	28	31.3	8	250	215	180	-	M12x16	5	457	457	-	86	BN 100	307	195	398	195
AS 60 D_112	28	31.3	8	250	215	180	-	M12x16	5	457	457	-	86	BN 112	325	219	424	219
AS 60 D_132	38	41.3	10	300	265	230	16	14	5	477	477	-	86	BN 132	413	258	523	258