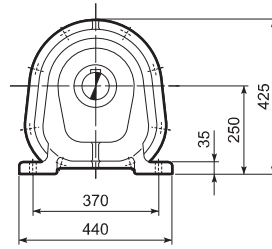
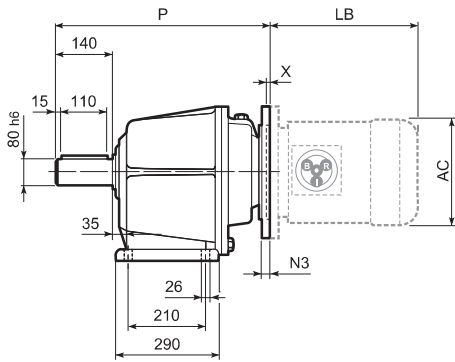
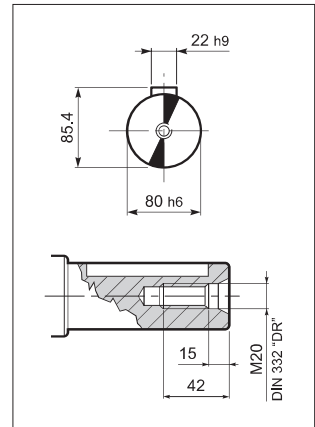


AS 80...P(IEC)

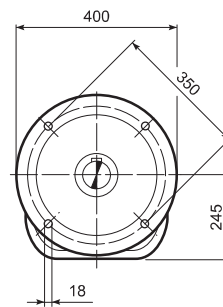
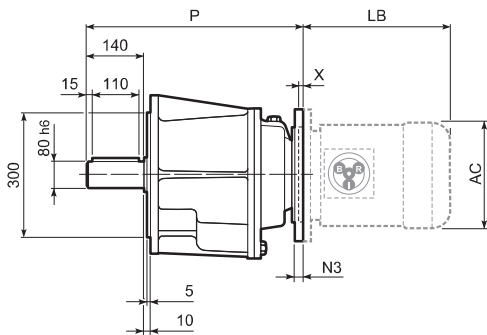
P
DP



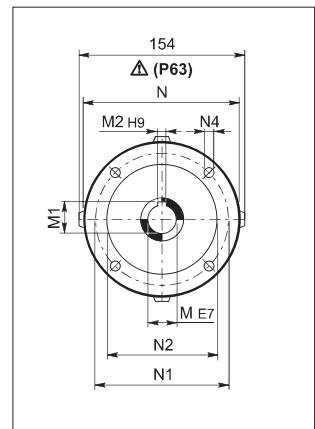
OUTPUT



F
DF



INPUT



	AS 80												Kg	inc	BN...		BN...FD BN...FA	
	M	M1	M2	N	N1	N2	N3	N4	X	P					LB	AC	LB	AC
										...P	...F	...R						
AS 80_160	42	45.3	12	350	300	250	23	18	6	600	600	-	152	BN 160MR	452	258	562	258
														BN 160M/L	486	310	626	310
AS 80_180	48	51.8	14	350	300	250	23	18	6	600	600	-	152	BN 180M	530	310	670	310
														BN 180L	598	348	756	348
AS 80_200	55	59.3	16	400	350	300	-	M16x25	6	600	600	-	152	BN 200L	612	348	768	348
AS 80 D_100	28	31.3	8	250	215	180	-	M12x16	5	585	585	-	147	BN 100	307	195	398	195
AS 80 D_112	28	31.3	8	250	215	180	-	M12x16	5	585	585	-	147	BN 112	325	219	424	219
AS 80 D_132	38	41.3	10	300	265	230	16	14	5	615	615	-	147	BN 132	413	258	523	258
AS 80 D_160	42	45.3	12	350	300	250	23	18	5	615	615	-	147	BN 160MR	452	258	562	258
														BN 160M/L	486	310	626	310