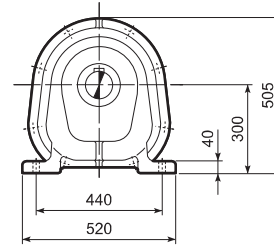
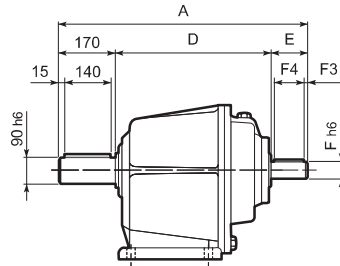
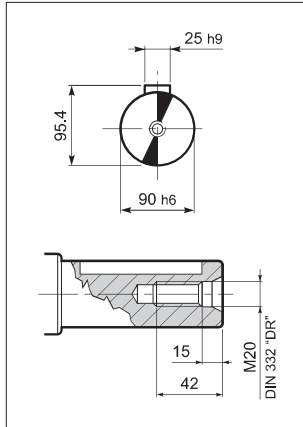
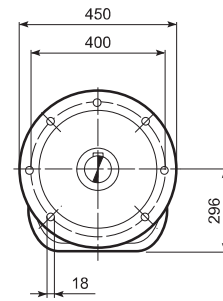
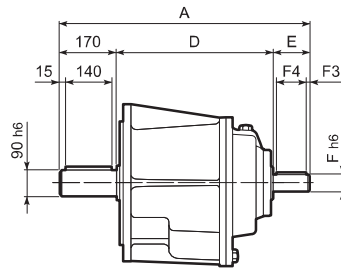
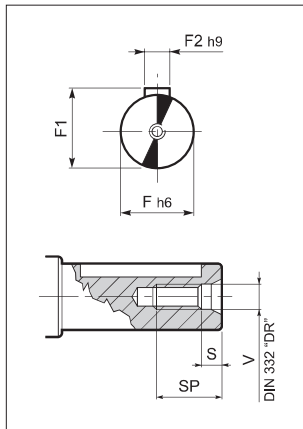


OUTPUT



**P
DP**

INPUT



**F
DF**

	AS 90											
	A	D	E	F	F1	F2	F3	F4	V	S	SP	
AS 90 P_HS	787	507	110	55	59.3	16	10	90	M16	12	36	239
AS 90 DP_HS	770	490	110	48	53.8	14	10	90	M16	12	36	232
AS 90 F_HS	787	507	110	55	59.3	16	10	90	M16	12	36	239
AS 90 DF_HS	770	490	110	48	53.8	14	10	90	M16	12	36	232