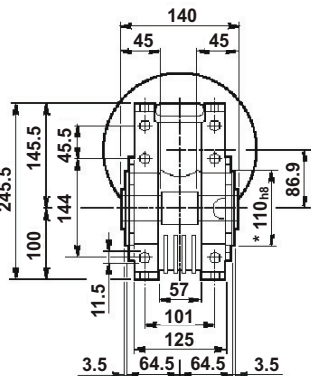
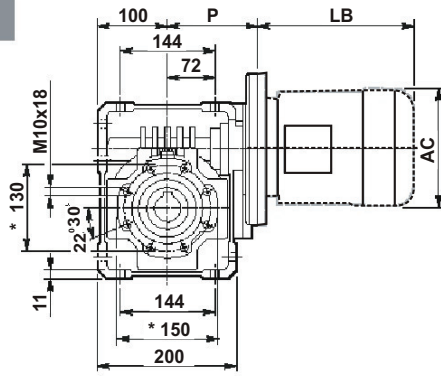


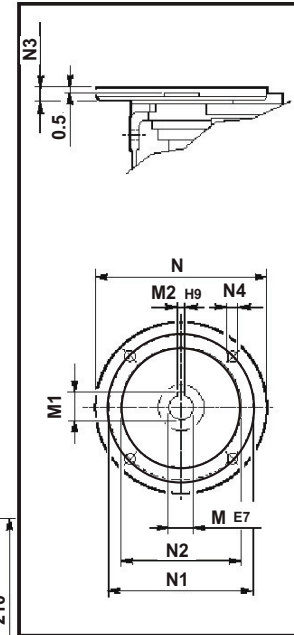
W 86□... P(IEC)



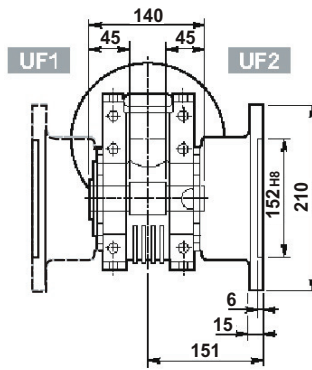
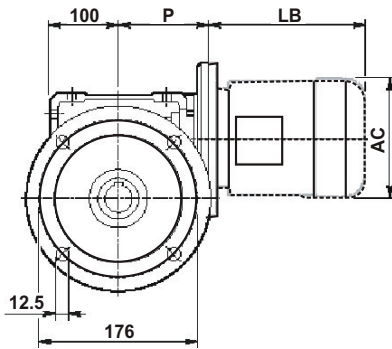
U



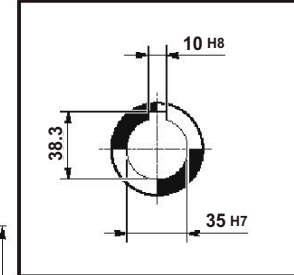
INPUT



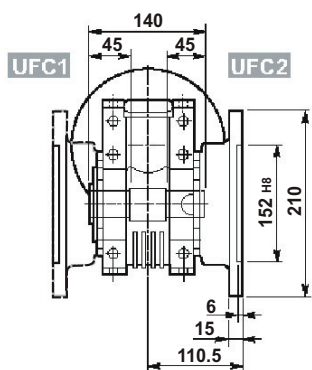
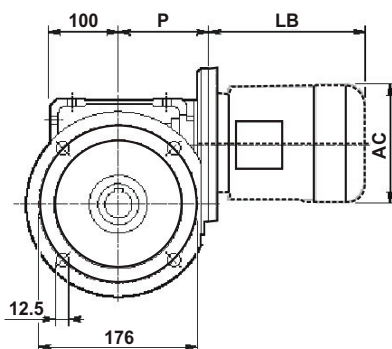
UF



OUTPUT



UFC



W 86_												BN		BN...FD BN...FA		
		M	M1	M2	N	N1	N2	N3	N4	P			LB	AC	LB	AC
W 86	P71 B5	14	16.3	5	160	130	110	11	9	128	13.6	BN 71	219	138	280	138
W 86	P80 B5	19	21.8	6	200	165	130	12	11.5	128	13.8	BN 80	234	156	306	156
W 86	P90 B5	24	27.3	8	200	165	130	12	11.5	128	13.7	BN 90	276	176	359	176
W 86	P100 B5	28	31.3	8	250	215	180	13	12.5	136	13.8	BN 100	307	195	398	195
W 86	P112 B5	28	31.3	8	250	215	180	13	12.5	136	13.8	BN 112	325	219	424	219
W 86	P80 B14	19	21.8	6	120	100	80	7.5	6.5	128	13.5	BN 80	234	156	306	156
W 86	P90 B14	24	27.3	8	140	115	95	7.5	8.5	128	13.5	BN 90	276	176	359	176
W 86	P100 B14	28	31.3	8	160	130	110	10	8.5	136	13.6	BN 100	307	195	398	195
W 86	P112 B14	28	31.3	8	160	130	110	10	8.5	136	13.6	BN 112	325	219	424	219

* On both sides