

Ekinox³ SPN DB's

for DX³ MCB, Isolator, RCCB and RCBO



Ekinox³ ETPN DB's

for DX³ MCB, Isolator, RCCB and RCBO



5076 05



5076 12



5076 61



5076 82

Dimensions p. 11

- As per IEC 61439-3
- Suitable for Flush Mounting and Surface Mounting
- With 100 A Copper Busbar
- With Neutral bar, Earthbar and Cable ties for Cable management
- Fully shrouded Neutral bars
- Prefitted masking sheet
- Reversible Door for IP 43 & IP 54 DB's

Pack	Cat.Nos	IP 30 - *IK 08	Number of modules	MRP* ₹ / unit
1	5076 00	4 way	4	1126
1	5076 01	8 way	8	1410
1	5076 02	12 way	12	1672
1	5076 03	16 way	16	2060
1	5076 04	18 way	18	2400
1	5076 05	20 way	20	2464
IP 43 - *IK 09 with metal door				
1	5076 10	4 way	4	1512
1	5076 11	8 way	8	1874
1	5076 12	12 way	12	2254
1	5076 13	16 way	16	2830
1	5076 14	18 way	18	3100
1	5076 15	20 way	20	3498
IP 43 - *IK 09 with acrylic door				
1	5076 20	4 way	4	1930
1	5076 21	8 way	8	2232
1	5076 22	12 way	12	2714
1	5076 23	16 way	16	3374
1	5076 24	18 way	18	3700
1	5076 25	20 way	20	3954
IP 54 - *IK 09				
1	5076 40	4 way	4	5068
1	5076 41	8 way	8	5956
1	5076 42	12 way	12	6844
1	5076 43	16 way	16	7612
1	5076 44	18 way	18	8000
1	5076 45	20 way	20	8448

Dimensions p. 12-13

- As per IEC 61439-3
- Suitable for Flush Mounting and Surface Mounting
- With 100 A Copper Busbar for each phase
- With Neutral bar, Earthbar and Cable ties for Cable management
- Fully insulated busbar & shrouded Neutral bars
- Improved Pan assembly for ease of installation
- Prefitted masking sheet
- Reversible Door for IP 43 & IP 54 DB's
- With provision for FP MCB/Isolator/RCCB/RCBO as incomer and SP MCB's as outgoing
- Supplied with wireset
- Can be converted to PPI DB at site using conversion kit

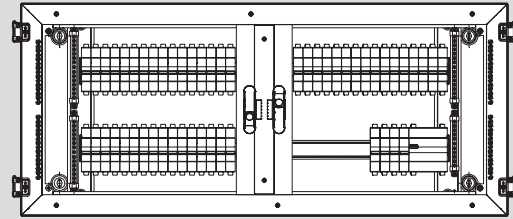
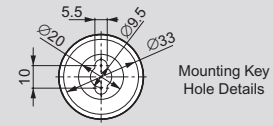
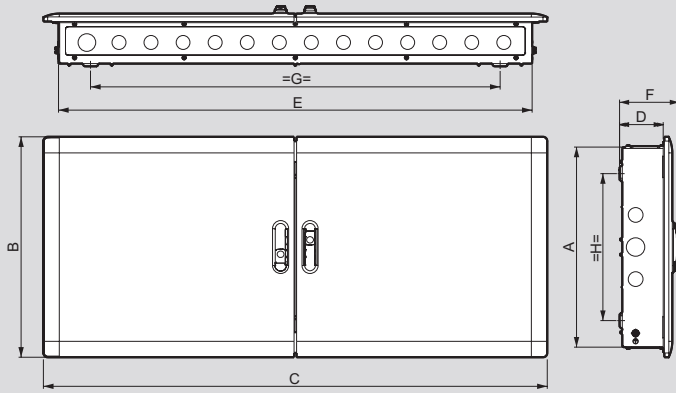
Pack	Cat.Nos	IP 30 - *IK 08	Number of modules	MRP* ₹ / unit
1	5076 60	4 way	8+12	3110
1	5076 61	6 way	8+18	3836
1	5076 62	8 way	8+24	4510
1	5076 63	12 way	8+36	6684
1	5076 64	16 way	8+48	8240
1	5076 66	20 way	8+60	11494
IP 43 - *IK 09 with metal door				
1	5076 70	4 way	8+12	3698
1	5076 71	6 way	8+18	4560
1	5076 72	8 way	8+24	5466
1	5076 73	12 way	8+36	8190
1	5076 74	16 way	8+48	10154
1	5076 76	20 way	8+60	14216
IP 43 - *IK 09 with acrylic door				
1	5076 80	4 way	8+12	4806
1	5076 81	6 way	8+18	5934
1	5076 82	8 way	8+24	7118
1	5076 83	12 way	8+36	10916
1	5076 84	16 way	8+48	13100
1	5076 86	20 way	8+60	18340
IP 54 - *IK 09				
1	5076 90	4 way	8+12	12074
1	5076 91	6 way	8+18	14530
1	5076 92	8 way	8+24	15892
1	5076 93	12 way	8+36	22398
1	5076 94	16 way	8+48	26878
1	5076 96	20 way	8+60	33630

Ekinox³ DB's

ETPN DB's

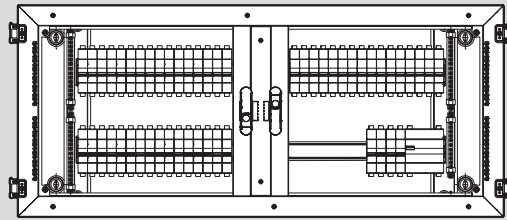
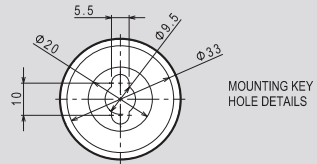
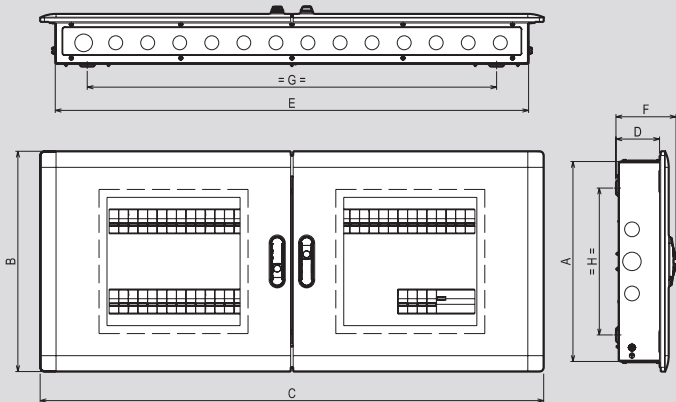
Dimensions

16-20 W IP43/54



Sr. No.	ETPN Type	E	A	D	C	B	F	G	H
1	ETPN 16 W IP43/54	886	374.4	82	942.8	412.4	112	766	275
2	ETPN 20W IP43/54	1030	374.4	82	1086.8	412.4	112	910	275

16-20 W Acrylic



Sr. No.	ETPN Type	E	A	D	C	B	F	G	H
1	ETPN 16 W IP43/54	886	374.4	82	942.8	412.4	112	766	275
2	ETPN 20W IP43/54	1030	374.4	82	1086.8	412.4	112	910	275