

## Ekinox<sup>3</sup> P-17 Tempra Plug & Socket DB's - for DX<sup>3</sup> MCB, RCCB and RCBO



## Ekinox<sup>3</sup> Metal Enclosures for DX<sup>3</sup> MCB, RCCB, RCBO and DPX<sup>3</sup> MCCB's



5078 60



5078 62



5078 64

Dimensions **p. 20**

- As per IEC 61439-3
- Suitable for Flush Mounting and Surface Mounting
- Supplied with Neutral Links
- With provision for mounting modular devices

Pack	Cat.Nos	<b>*IK 08</b>	Number of modules	MRP* ₹ / unit
1	5078 60	16 A 2P+E-DP	2	2470
1	5078 63	32 A 2P+E-DP	2	2664
1	5078 61	32 A 3P+E-FP	8	3734
1	5078 62	32 A 3P+N+E-FP	8	4852
1	5078 64	63 A 3P+N+E-FP	8	12344



5077 91



5077 93

Dimensions **p. 20**

- As per IEC 61439-3
- For independent mounting of DX<sup>3</sup> MCB, RCCB, RCBO, DPX<sup>3</sup> 160, DPX<sup>3</sup> 250, DPX<sup>3</sup> 630 & DRX MCCB's
- \*IK 08

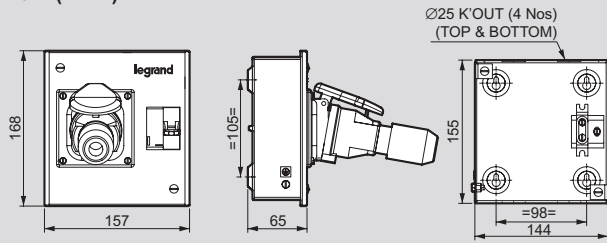
Pack	Cat.Nos	<b>IK 08</b>	Number of modules	MRP* ₹ / unit
1	5077 90	SP Enclosure	1	400
1	5077 91	DP Enclosure	2	584
1	5077 92	TP Enclosure	3	584
1	5077 93	FP Enclosure	4	584
1	5077 94	FP RCBO Enclosure	8	990
<b>Metal one way enclosures for MCCB</b>				
1	5078 01	DPX <sup>3</sup> 160 MCCB enclosure	3&4	3362
1	5078 02	DPX <sup>3</sup> 250 MCCB enclosure	3&4	5970
1	5078 04	DPX <sup>3</sup> 630 MCCB enclosure	3&4	9050
1	5078 05	DRX 100 MCCB enclosure-TP	3&4	1796

# P-17 Tempra & Metra plug and socket DBs

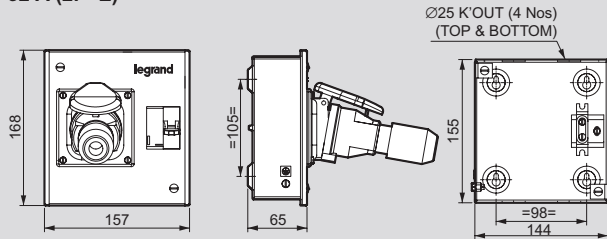
# metal one way enclosures for DX<sup>3</sup> MCBs, RCCBs and RCBOs

## Dimensions

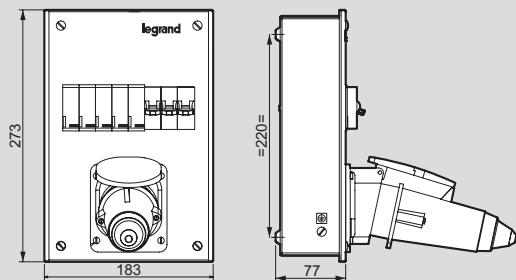
### 16 A (2P+E)



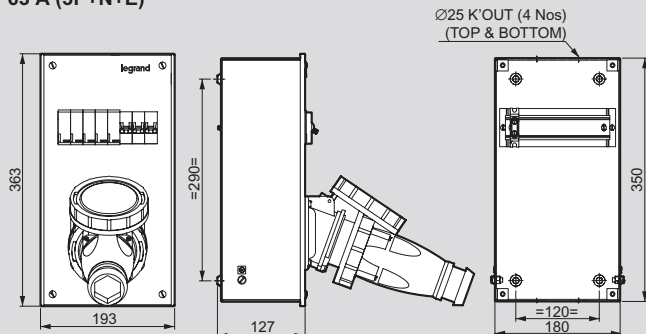
### 32 A (2P+E)



### 32 A (3P+E & 3P+N+E)

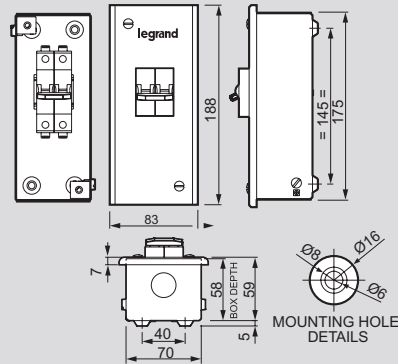


### 63 A (3P+N+E)



## Dimensions

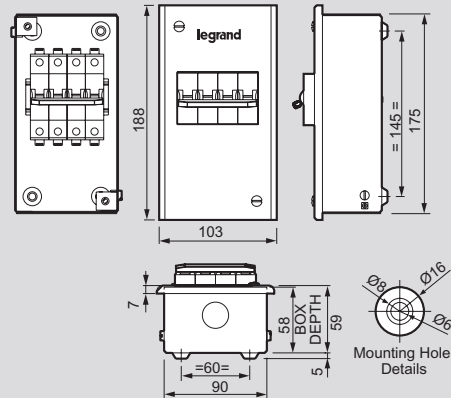
### SP/DP MCB



Box clear depth = 58 mm (Excluding MTG Hole Embossing)  
Enclosure SP/DP MCB

No. of ways	Top Ø 25 Knock out	Bottom Ø 25 Knock out
SP MCB	1 no.	1 no.
DP MCB	1 no.	1 no.

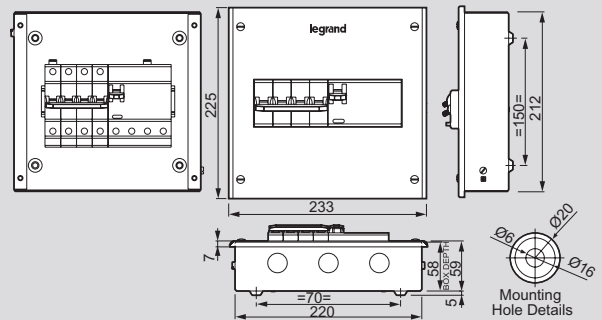
### TP/FP MCB



Box clear depth = 58 mm (Excluding MTG Hole Embossing)  
Enclosure TP/FP MCB

No. of ways	Top Ø 25 Knock out	Bottom Ø 25 Knock out
TP MCB	1 no.	1 no.
FP MCB	1 no.	1 no.

### FP RCBO



Box clear depth = 58 mm (Excluding MTG Hole Embossing)  
Enclosure FP RCBO

No. of ways	Top Ø 25 Knock out	Bottom Ø 25 Knock out
FP RCBO	3 nos.	3 nos.